

RSG ELECTRONIC COMPONENTS GMBH							
RSG ELECTRONIC COMPONENT GMBH Number	Model	Andon Part Number Replace "XXX" with Terminal Type	Terminal Type		Pin Ø [in]	Figure Number	Page Number
			Thru-Hole	Surface Mount			
FKC12 SERIES		C10-624-09-03-XXX-R27-L14	01S	93S	.018	4	2
FKC12W SERIES		C10-624-09-03-XXX-R27-L14	01S	93S	.018	4	2
FKC15 SERIES		C10-624-09-03-XXX-R27-L14	01S	93S	.018	4	2
FKC15W SERIES		C10-624-09-03-XXX-R27-L14	01S	93S	.018	4	2
LED15 SERIES		C10-818-06-01-XXX-R27-L14	433E	285E	.040	3	2
LED15W SERIES		C10-818-06-01-XXX-R27-L14	433E	285E	.040	3	2
LCD15 SERIES		C10-818-06-01-XXX-R27-L14	433E	285E	.040	3	2
LCD15W SERIES		C10-818-06-01-XXX-R27-L14	433E	285E	.040	3	2
LCD20 SERIES		C10-818-06-01-XXX-R27-L14	433E	285E	.040	3	2
LCD20W SERIES		C10-818-06-01-XXX-R27-L14	433E	285E	.040	3	2
LCD30 SERIES		C10-818-06-01-XXX-R27-L14	433E	285E	.040	3	2
LCD30W SERIES		C10-818-06-01-XXX-R27-L14	433E	285E	.040	3	2
FED20 SERIES		C10-818-06-01-XXX-R27-L14	433E	285E	.040	3	2
FED20W SERIES		C10-818-06-01-XXX-R27-L14	433E	285E	.040	3	2
FDC15 SERIES		C10-1826-07-01-XXX-R27-L14	433E	285E	.040	5	2
FDC20 (W) SERIES		C10-1826-07-01-XXX-R27-L14	433E	285E	.040	5	2
FED30 SERIES		C10-1818-06-01-XXX-R27-L14	433E	285E	.040	1	1
FED30W SERIES		C10-1818-06-01-XXX-R27-L14	433E	285E	.040	1	1
FED30TW SERIES		C10-1818-07-05-XXX-R27-L14	433E	285E	.040	6	2
FED40 W		C10-1818-07-05-XXX-R27-L14	433E	285E	.040	6	2
QEB50 SERIES		CSP2000-08-01-XXX-R27-L14	502EP55	503EP55	.040/.060	2	1
HEC50 SERIES		CSP1900-09-01-XXX-R27-L14	507EP72	508EP72	.040/.080	7	2
RV2-S15/D15		C10-818-06-01-XXX-R27-L14	433E	285E	.040	3	2
RV5-S20/D20		C10-818-06-01-XXX-R27-L14	433E	285E	.040	3	2
RV1-S15/D15		C10-818-05-02-XXX-R27-L14	433E	285E	.040	8	2

Heat sink socket available to reduce heat and noise. Contact Andon for details.

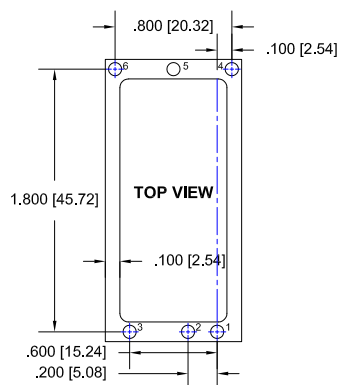
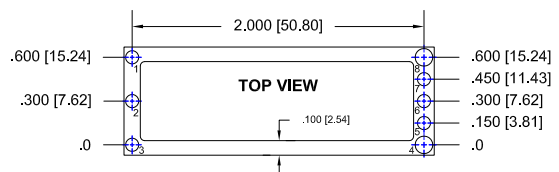


FIG.1

Thru-Hole: C10-1818-06-01-433E-R27-L14
Surface Mount: C10-1818-06-01-285E-R27-L14



Pins 1-3, 5-7 are Ø.040 [Ø1.02]
Pins 4 and 8 are Ø.062 [Ø1.57]

FIG.2

Thru-Hole: CSP2000-08-01-502EP55-R27-L14
Surface Mount: CSP2000-08-01-503EP55-R27-L14

RSG ELECTRONIC COMPONENTS GMBH *Continued*

Top View Shown
Units: in [mm]

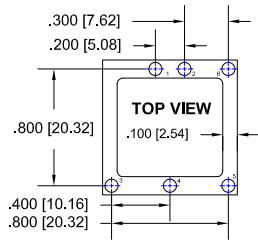


FIG.3

Thru-Hole: C10-818-06-01-433E-R27-L14
Surface Mount: C10-818-06-01-285E-R27-L14

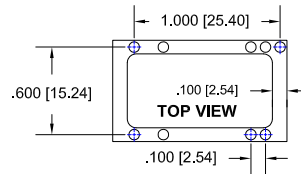


FIG.4

Thru-Hole: C10-624-09-03-01S-R27-L14
Surface Mount: C10-624-09-03-93S-R27-L14

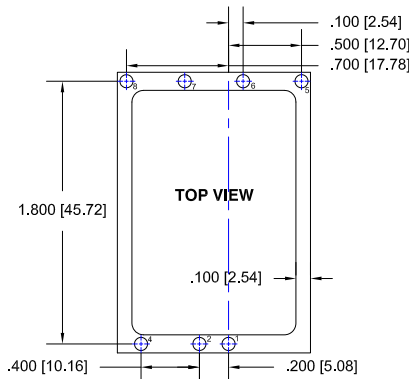


FIG.5

Thru-Hole: C10-1826-07-01-433E-R27-L14
Surface Mount: C10-1826-07-01-285E-R27-L14

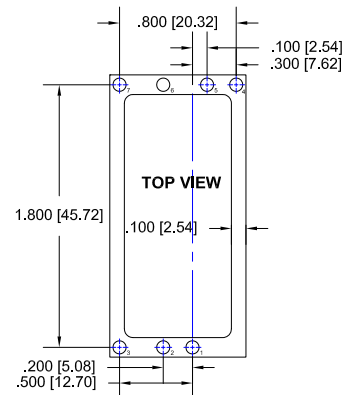
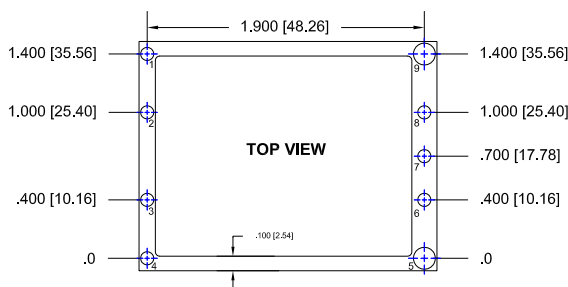


FIG.6

Thru-Hole: C10-1818-07-05-433E-R27-L14
Surface Mount: C10-1818-07-05-285E-R27-L14



Pins 1-4, 6-8 are $\varnothing.040$ [$\varnothing1.02$]
Pins 5 and 9 are $\varnothing.080$ [$\varnothing2.03$]

FIG.7

Thru-Hole: CSP1900-09-01-507EP72-R27-L14
Surface Mount: CSP1900-09-01-508EP72-R27-L14

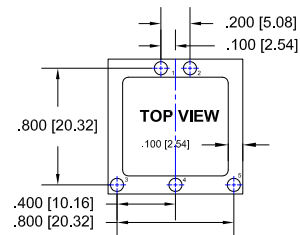


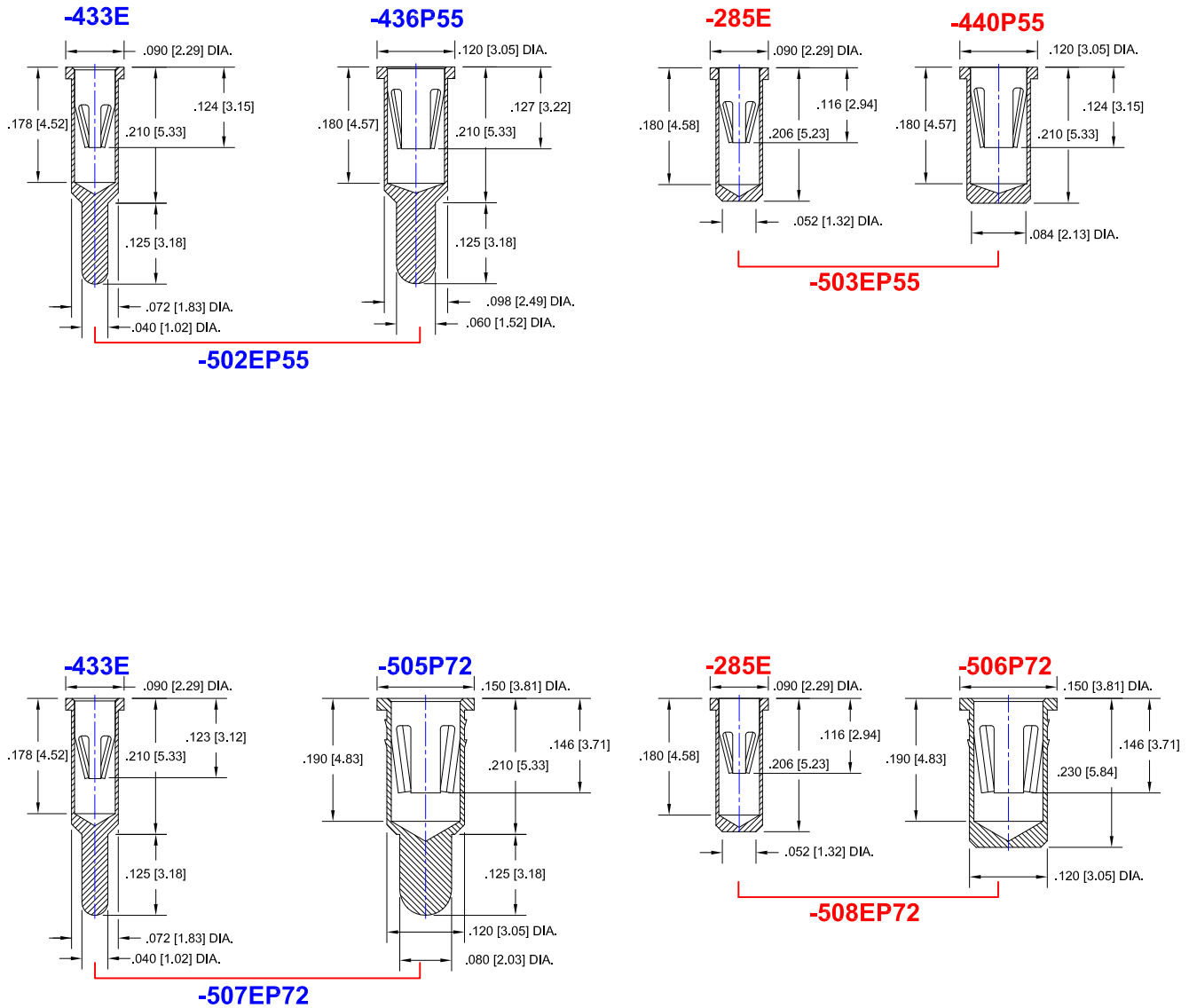
FIG.8

Thru-Hole: C10-818-05-02-433E-R27-L14
Surface Mount: C10-818-05-02-285E-R27-L14

RSG ELECTRONIC COMPONENTS GMBH *Continued*

Top View Shown

Units: in [mm]



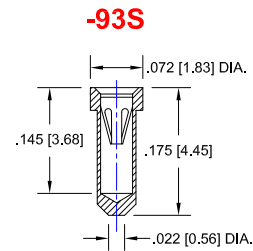
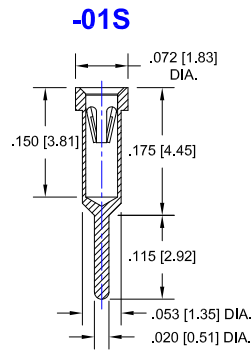
Sockets



RoHS Compliant
ISO 9001
Certified

RSG ELECTRONIC COMPONENTS GMBH *Continued*

Top View Shown
Units: in [mm]



Technical Information

Material:

Insulator: Hi-Temp UL 94V-O
Terminal: Brass, per ASTM-B16
Contact: BeCu, Per ASTM-B194

Plating: RoHS COMPLIANT

R15 TERMINAL: GOLD / CONTACT: GOLD

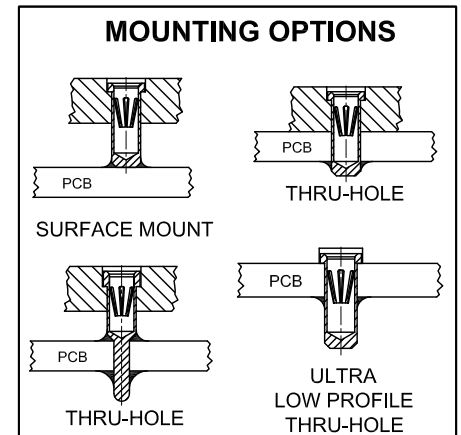
R17 TERMINAL: TIN / CONTACT: GOLD

OTHER PLATINGS AVAILABLE

Terminal Acceptance and Forces

Thru Hole Terminals				Surface Mount Terminals			
Thru Hole Terminal	Accepts Pin Diameter	Insertion Force	Withdrawal Force	Surface Mount Terminal	Accepts Pin Diameter	Insertion Force	Withdrawal Force
-433E	Ø.040 [Ø1.02]	36.0 oz Avg.	3.9 oz Min	-285E	Ø.040 [Ø1.02]	36.0 oz Avg.	3.9 oz Min
-436P55	Ø.062 [Ø1.57]	15.5 oz Avg.	2.1 oz Min	-440P55	Ø.062 [Ø1.57]	15.5 oz Avg.	2.1 oz Min
-01S	Ø.018 [Ø0.46]	9.0 oz Avg.	2.0 oz Min	-93S	Ø.018 [Ø0.46]	9.0 oz Avg.	2.0 oz Min
-505P72	Ø.082 [Ø2.08]	48.0 oz Avg.	8.0 oz Min	-506P72	Ø.082 [Ø2.08]	48.0 oz Avg.	8.0 oz Min

MOUNTING OPTIONS



©Copyright 2015 Andon Electronics Corporation. All Rights Reserved. This material is protected under US and other copyrights and may not be copied, sold, or redistributed in any form without written permission of Andon Electronics Corporation. Copyrights and trademarks are property of their respective companies. We reserve the right to change specifications without notice. Andon makes no warranty, expressed or implied, as to the suitability of the sockets for the intended purpose.

"ANDON PROPRIETARY INFORMATION"

RoHS Compliant

*Sockets are not drawn to scale RSG ELECTRONIC COMPONENTS GMBH 6/18/2015

ANDON ELECTRONICS CORPORATION
4 Court Drive, Lincoln RI 02865, United States of America

www.andonelectronics.com or www.andonelect.com
Phone 401-333-0388 Fax 401-333-0287
Email Info@andonelect.com