



ANDON
INTERCONNECTION SPECIALISTS

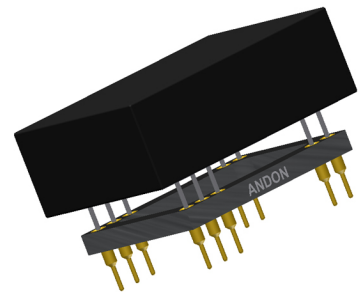
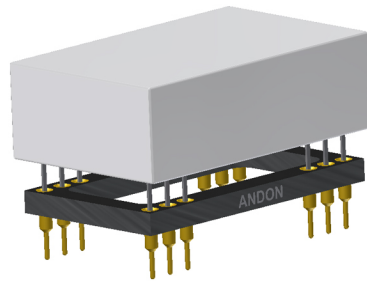
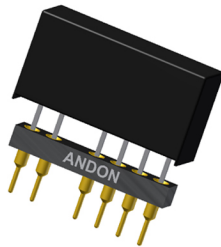


RoHS Compliant
ISO 9001
Certified

CONVERTER SOCKETS FOR



**POWER MATE
TECHNOLOGY CO.,LTD.**



***Largest Line of High Reliability Converter Sockets
with Andon's Unique Contact***

www.andonelect.com or www.andonelectronics.com

Power Mate Technology Co., LTD. is Copyright © of

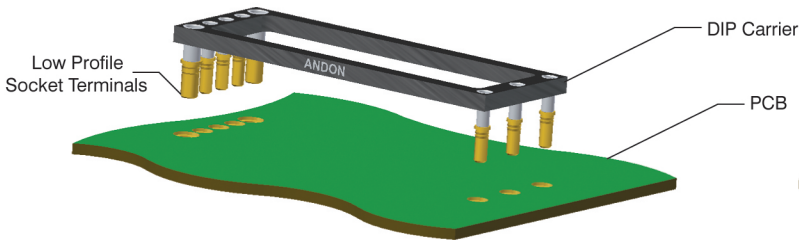


**POWER MATE
TECHNOLOGY CO.,LTD.**

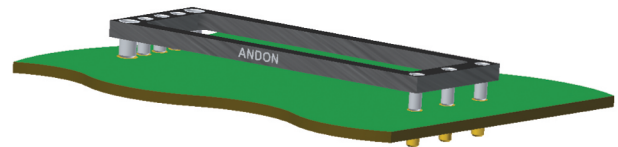
POWER MATE TECHNOLOGY CO., LTD *Continued*

LOW PROFILE REMOVABLE CARRIER INSTRUCTIONS

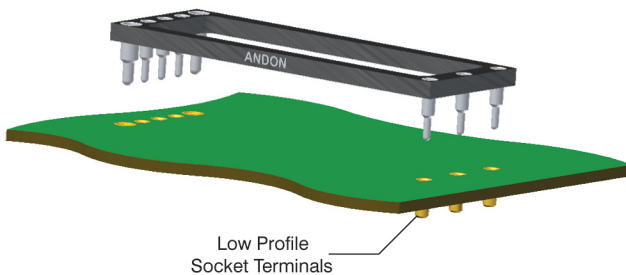
1 CARRIER BEFORE SOLDERING



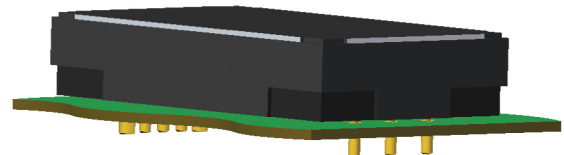
2 LOAD ON PCB AND SOLDER SOCKET TERMINALS



3 REMOVE CARRIER AFTER SOLDERING

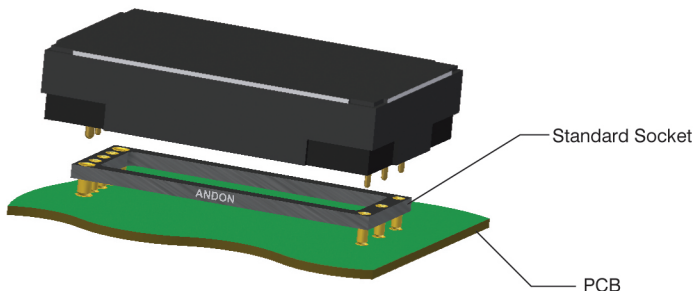


4 PLUG DEVICE INTO SOCKET TERMINALS SOLDERED ON PCB

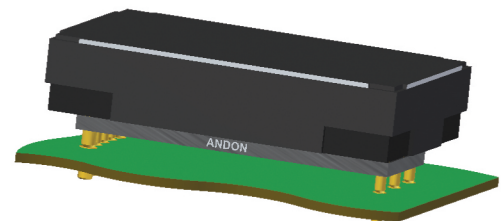


STANDARD SOCKET INSTRUCTIONS

1 SOLDER SOCKET INTO PCB



2 PLUG DEVICE INTO SOCKET



POWER MATE TECHNOLOGY CO., LTD						
POWER MATE TECHNOLOGY CO., LTD Model Number	Andon Part Number Replace "XXX" with Terminal Type	Terminal Type		Pin Ø [in]	Figure Number	Page Number
		Thru-Hole	Surface Mount			
FED20	C10-818-06-01-XXX-R27-L14	433E	285E	.040	16	5
DOS06-05TA	C10-009-05-01-XXX-R27-L14	295V	439V	.030	8	4
DOS06-12T	C10-009-05-01-XXX-R27-L14	295V	439V	.030	8	4
DOS10-05TA	C10-20-10-01-XXX-R27-L14	295V	439V	.030	7	4
DOS10-12TA	C10-20-10-01-XXX-R27-L14	295V	439V	.030	7	4
DOS16-05TA	C10-20-10-01-XXX-R27-L14	295V	439V	.030	7	4
DOS16-12TA	C10-20-10-01-XXX-R27-L14	295V	439V	.030	7	4
DR1P5	C10-624-12-01-XXX-R27-L14	01S	93S	.018	15	5
EBC50	CSP2000-08-01-XXX-R27-L14	502EP55	503EP55	.040/.060	18	5
FDC05	C10-818-06-01-XXX-R27-L14	433E	285E	.040	16	5
FDC10	C10-818-06-01-XXX-R27-L14	433E	285E	.040	16	5
FDC15	C10-1826-07-03-XXX-R27-L14	433E	285E	.040	4	4
FDC20	C10-1826-07-03-XXX-R27-L14	433E	285E	.040	4	4
FDC40	C10-2540-10-02-XXX-R27-L14	433E	285E	.040	21	6
FDC60	CSP3250-10-01-XXX-R27-L14	433E	285E	.040	19	6
FEC15	C10-818-06-01-XXX-R27-L14	433E	285E	.040	16	5
FEC15W	C10-818-06-01-XXX-R27-L14	433E	285E	.040	16	5
FEC30	C10-1826-07-03-XXX-R27-L14	433E	285E	.040	4	4
FEC30W	C10-1826-07-03-XXX-R27-L14	433E	285E	.040	4	3
FEC40	C10-1822-08-01-XXX-R27-L14	433E	285E	.040	20	6
FEC40	C10-1828-09-01-XXX-R27-L14	433E	285E	.040	1	3
FEC60	C10-1822-08-01-XXX-R27-L14	433E	285E	.040	20	6
FED20W	C10-818-06-01-XXX-R27-L14	433E	285E	.040	16	5
FED30	C10-1818-07-05-XXX-R27-L14	433E	285E	.040	14	5
FED30 TRIPPLE	C10-1818-07-05-XXX-R27-L14	433E	285E	.040	14	5
FED30W	C10-1818-06-01-XXX-R27-L14	433E	285E	.040	14	5
FED40	C10-1818-06-01-XXX-R27-L14	433E	285E	.040	14	5
FED40W	C10-1818-06-01-XXX-R27-L14	433E	285E	.040	14	5
FED60W	C10-1818-06-01-XXX-R27-L14	433E	285E	.040	14	5
FKC03	C10-620-10-01-XXX-R27-L14	01S	93S	.018	3	3
FKC05	C10-620-10-01-XXX-R27-L14	01S	93S	.018	3	3
FKC08	C10-620-10-01-XXX-R27-L14	01S	93S	.018	5	3
FKC08W	C10-620-10-01-XXX-R27-L14	01S	93S	.018	5	3
FKC15W	C10-622-09-03-XXX-R27-L14	01S	93S	.018	10	4
HAE200W	CSP1900-09-01-XXX-R27-L14	507EP72	508EP72	.040/.080	2	3
HAE75W	CSP1900-09-01-XXX-R27-L14	507EP72	508EP72	.040/.080	2	3
HEC100	CSP1900-09-01-XXX-R27-L14	507EP72	508EP72	.040/.080	2	3
HEC50	CSP1900-09-01-XXX-R27-L14	507EP72	508EP72	.040/.080	2	3
HEC75	CSP1900-09-01-XXX-R27-L14	507EP72	508EP72	.040/.080	2	3
KAE100	CSP1900-09-01-XXX-R27-L14	507EP72	508EP72	.040/.080	2	3
KFC12	C10-620-10-01-XXX-R27-L14	01S	93S	.018	5	3
KFC12W	C10-620-10-01-XXX-R27-L14	01S	93S	.018	5	3
LCD10	C10-818-06-01-XXX-R27-L14	433E	285E	.040	14	5
LCD10W	C10-818-06-01-XXX-R27-L14	433E	285E	.040	14	5
LCD15	C10-818-06-01-XXX-R27-L14	433E	285E	.040	14	5
LCD15W	C10-818-06-01-XXX-R27-L14	433E	285E	.040	14	5
LCD20	C10-818-06-01-XXX-R27-L14	433E	285E	.040	14	5
LCD20W	C10-818-06-01-XXX-R27-L14	433E	285E	.040	14	5
LCD30	C10-818-06-01-XXX-R27-L14	433E	285E	.040	14	5
LCD30W	C10-818-06-01-XXX-R27-L14	433E	285E	.040	14	5
LED15	C10-818-06-01-XXX-R27-L14	433E	285E	.040	16	5
LED15W	C10-818-06-01-XXX-R27-L14	433E	285E	.040	16	5
MOP06-A	C10-624-07-02-XXX-R27-L14	01S	93S	.018	12	4
MOP06-B	C10-622-08-02-XXX-R27-L14	01S	93S	.018	11	4
MOP06W-A	C10-624-07-02-XXX-R27-L14	01S	93S	.018	12	4
MOP06W-B	C10-622-08-02-XXX-R27-L14	01S	93S	.018	11	4

Heat sink socket available to reduce heat and noise. Contact Andon for details.

POWER MATE TECHNOLOGY CO., LTD						
POWER MATE TECHNOLOGY CO., LTD Model Number	Andon Part Number Replace "XXX" with Terminal Type	Terminal Type		Pin Ø [in]	Figure Number	Page Number
		Thru-Hole	Surface Mount			
MOP10-A	C10-624-07-02-XXX-R27-L14	01S	93S	.018	12	4
MOP10-B	C10-622-08-02-XXX-R27-L14	01S	93S	.018	11	4
MOP10W-A	C10-624-07-02-XXX-R27-L14	01S	93S	.018	12	4
MOP10W-B	C10-622-08-02-XXX-R27-L14	01S	93S	.018	11	4
MOP3-A	C10-624-07-02-XXX-R27-L14	01S	93S	.018	12	4
MOP3-B	C10-622-08-02-XXX-R27-L14	01S	93S	.018	11	4
MOP3W-A	C10-624-07-02-XXX-R27-L14	01S	93S	.018	12	4
MOP3W-B	C10-622-08-02-XXX-R27-L14	01S	93S	.018	11	4
MKC03	C10-620-10-01-XXX-R27-L14	01S	93S	.018	5	3
MPP03-A	C10-624-07-02-XXX-R27-L14	01S	93S	.018	12	4
MPP03-B	C10-622-08-02-XXX-R27-L14	01S	93S	.018	11	4
MPP03W-A	C10-624-07-02-XXX-R27-L14	01S	93S	.018	12	4
MPP03W-B	C10-622-08-02-XXX-R27-L14	01S	93S	.018	11	4
MPP06-A	C10-624-07-02-XXX-R27-L14	01S	93S	.018	12	4
MPP06-B	C10-622-08-02-XXX-R27-L14	01S	93S	.018	11	4
MPP06W-A	C10-624-07-02-XXX-R27-L14	01S	93S	.018	12	4
MPP06W-B	C10-622-08-02-XXX-R27-L14	01S	93S	.018	11	4
MPP10-A	C10-624-07-02-XXX-R27-L14	01S	93S	.018	12	4
MPP10-B	C10-622-08-02-XXX-R27-L14	01S	93S	.018	11	4
MPP10W-A	C10-624-07-02-XXX-R27-L14	01S	93S	.018	12	4
MPP10W-B	C10-622-08-02-XXX-R27-L14	01S	93S	.018	11	4
PDH02	C10-53314-07-01-XXX-R27-L14	295V	439V	.030	17	5
PDH02W	C10-53314-07-01-XXX-R27-L14	295V	439V	.030	17	5
PDH03	C10-53314-07-01-XXX-R27-L14	295V	439V	.030	17	5
PDH03W	C10-53314-07-01-XXX-R27-L14	295V	439V	.030	17	5
PDS02	C10-53314-07-01-XXX-R27-L14	295V	439V	.030	17	5
PDS02W	C10-53314-07-01-XXX-R27-L14	295V	439V	.030	17	5
PDS03	C10-53314-07-01-XXX-R27-L14	295V	439V	.030	17	5
PDS03W	C10-53314-07-01-XXX-R27-L14	295V	439V	.030	17	5
PFKC03	C10-620-10-01-XXX-R27-L14	01S	93S	.018	5	3
PFKC05	C10-620-10-01-XXX-R27-L14	01S	93S	.018	5	3
PMKC03	C10-624-12-01-XXX-R27-L14	01S	93S	.018	15	5
QAE100	CSP2000-08-01-XXX-R27-L14	502EP55	503EP55	.040/.060	18	5
QAE100W	CSP2000-08-01-XXX-R27-L14	502EP55	503EP55	.040/.060	18	5
QAE150W	CSP2000-08-01-XXX-R27-L14	502EP55	503EP55	.040/.060	18	5
QEB100	CSP2000-08-01-XXX-R27-L14	502EP55	503EP55	.040/.060	18	5
QEB125	CSP2000-08-01-XXX-R27-L14	502EP55	503EP55	.040/.060	18	5
QEB50	CSP2000-08-01-XXX-R27-L14	502EP55	503EP55	.040/.060	18	5
QEB75	CSP2000-08-01-XXX-R27-L14	502EP55	503EP55	.040/.060	18	5
RED20W	C10-818-06-01-XXX-R27-L14	433E	285E	.040	16	5
TEA1P5	C10-914-06-01-XXX-R27-L14	295V	439V	.030	9	4
TEM03	C10-914-06-01-XXX-R27-L14	295V	439V	.030	9	4
TEN06	C10-1414-07-01-XXX-R27-L14	295V	439V	.030	13	5
VK03	C10-624-10-04-XXX-R27-L14	01S	93S	.018	6	3
YKC03	C10-624-10-04-XXX-R27-L14	01S	93S	.018	6	3

Heat sink socket available to reduce heat and noise. Contact Andon for details.

POWER MATE TECHNOLOGY CO., LTD *Continued*

Top View Shown

Units: in [mm]

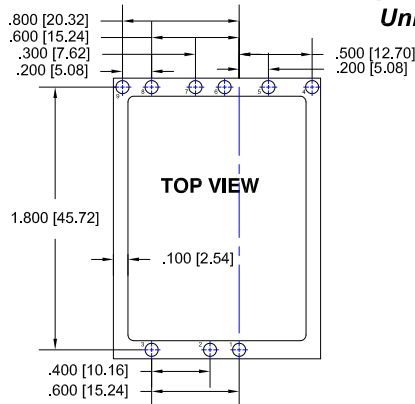


FIG.1

Thru-Hole: C10-1828-09-01-433E-R27-L14
Surface Mount: C10-1828-09-01-285E-R27-L14

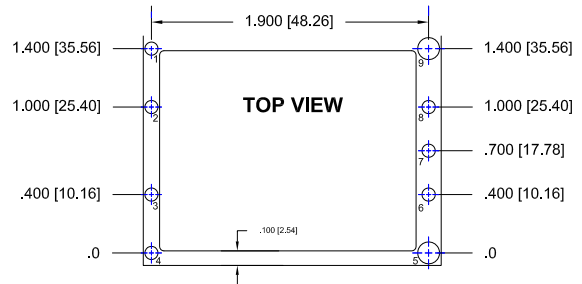


FIG.2

Thru-Hole: CSP1900-09-01-507EP72-R27-L14
Surface Mount: CSP1900-09-01-508EP72-R27-L14

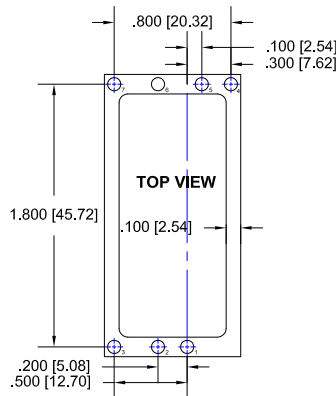


FIG.3

Thru-Hole: C10-1818-07-05-433E-R27-L14
Surface Mount: C10-1817-07-05-285E-R27-L14

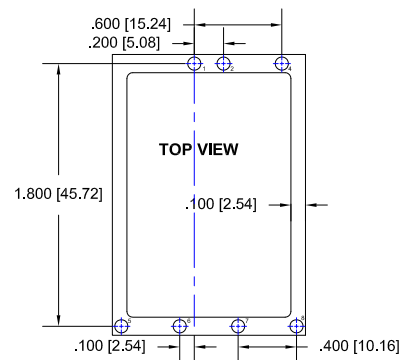


FIG.4

Thru-Hole: C10-1826-07-03-433E-R27-L14
Surface Mount: C10-1826-07-03-285E-R27-L14

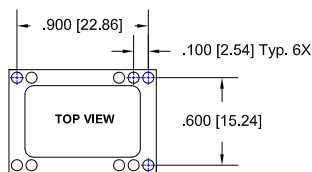


FIG.6

Thru-Hole: C10-620-10-01-01S-R27-L14
Surface Mount: C10-620-10-01-93S-R27-L14

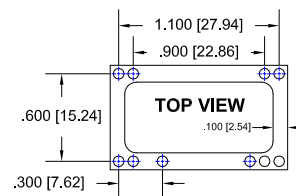


FIG.7

Thru-Hole: C10-624-10-04-01S-R27-L14
Surface Mount: C10-624-10-04-93S-R27-L14

POWER MATE TECHNOLOGY CO., LTD *Continued*

Top View Shown

Units: in [mm]

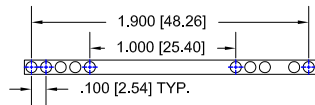


FIG.7

Thru-Hole: C10-20-10-01-295V-R27-L14
Surface Mount: C10-20-10-01-439V-R27-L14

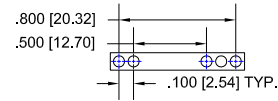


FIG.8

Thru-Hole: C10-009-05-01-295V-R27-L14
Surface Mount: C10-009-05-01-439V-R27-L14

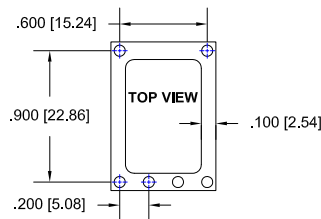


FIG.9

Thru-Hole: C10-914-06-01-295V-R27-L14
Surface Mount: C10-914-06-01-439V-R27-L14

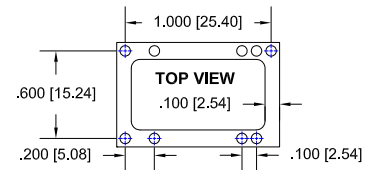


FIG.10

Thru-Hole: C10-622-09-03-01S-R27-L14
Surface Mount: C10-622-09-03-93S-R27-L14

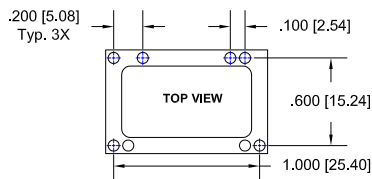


FIG.11

Thru-Hole: C10-622-08-02-01S-R27-L14
Surface Mount: C10-622-08-02-93S-R27-L14

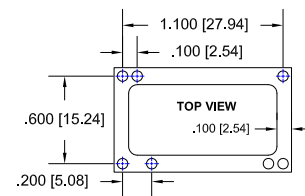


FIG.12

Thru-Hole: C10-624-07-02-01S-R27-L14
Surface Mount: C10-624-07-02-93S-R27-L14

POWER MATE TECHNOLOGY CO., LTD *Continued*

Top View Shown

Units: in [mm]

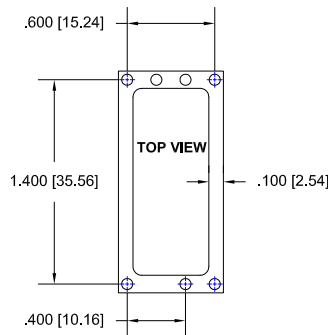


FIG.13

Thru-Hole: C10-1414-07-01-295V-R27-L14
Surface Mount: C10-1414-07-01-439V-R27-L14

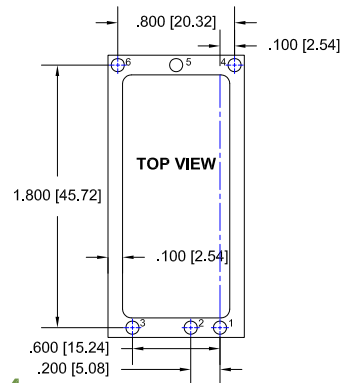


FIG.14

Thru-Hole: C10-1818-06-01-433E-R27-L14
Surface Mount: C10-1818-06-01-285E-R27-L14

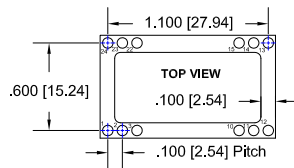


FIG.15

Thru-Hole: C10-624-12-01-01S-R27-L14
Surface Mount: C10-624-12-01-93S-R27-L14

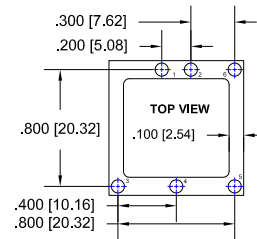


FIG.16

Thru-Hole: C10-818-06-01-433E-R27-L14
Surface Mount: C10-818-06-01-285E-R27-L14

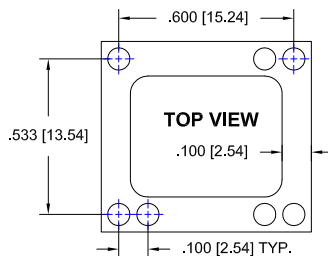
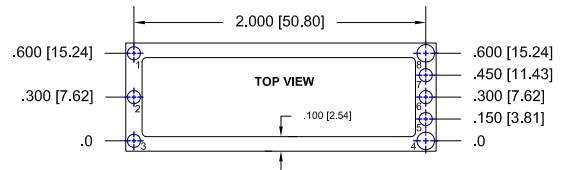


FIG.17

Thru-Hole: C10-53314-07-01-295V-R27-L14
Surface Mount: C10-53314-07-01-439V-R27-L14



Pins 1-3, 5-7 are $\varnothing.040$ [$\varnothing1.02$]
Pins 4 and 8 are $\varnothing.062$ [$\varnothing1.57$]

FIG.18

Thru-Hole: CSP2000-08-01-502EP55-R27-L14
Surface Mount: CSP2000-08-01-503EP55-R27-L14

POWER MATE TECHNOLOGY CO., LTD *Continued*

Top View Shown
Units: in [mm]

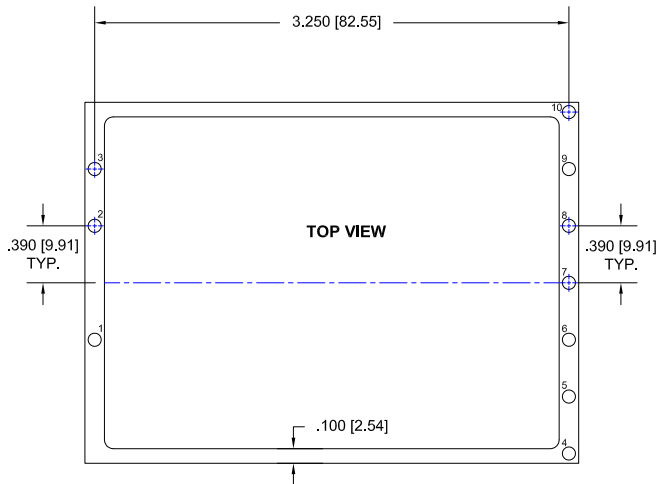


FIG.19

Thru-Hole: CSP3250-10-01-433E-R27-L14
Surface Mount: CSP3250-10-01-285E-R27-L14

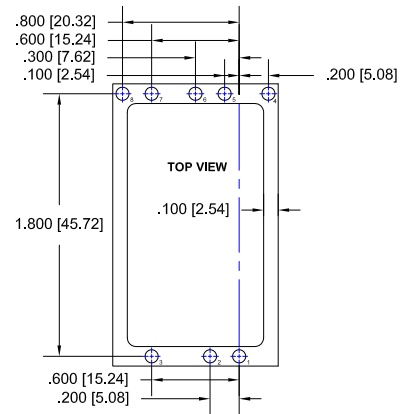


FIG.20

Thru-Hole: C10-1822-08-01-433E-R27-L14
Surface Mount: C10-1822-08-01-285E-R27-L14

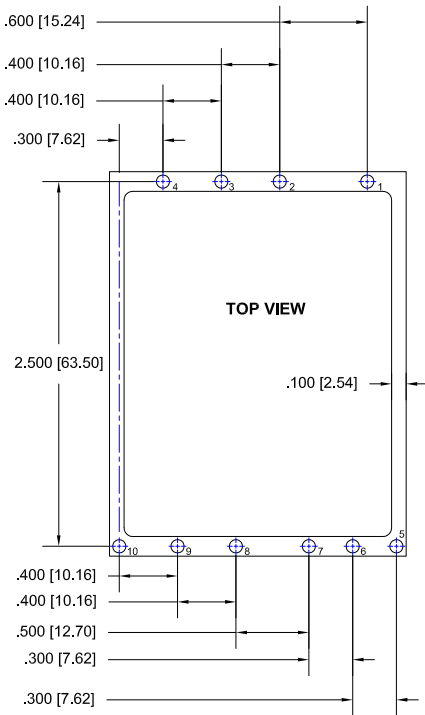


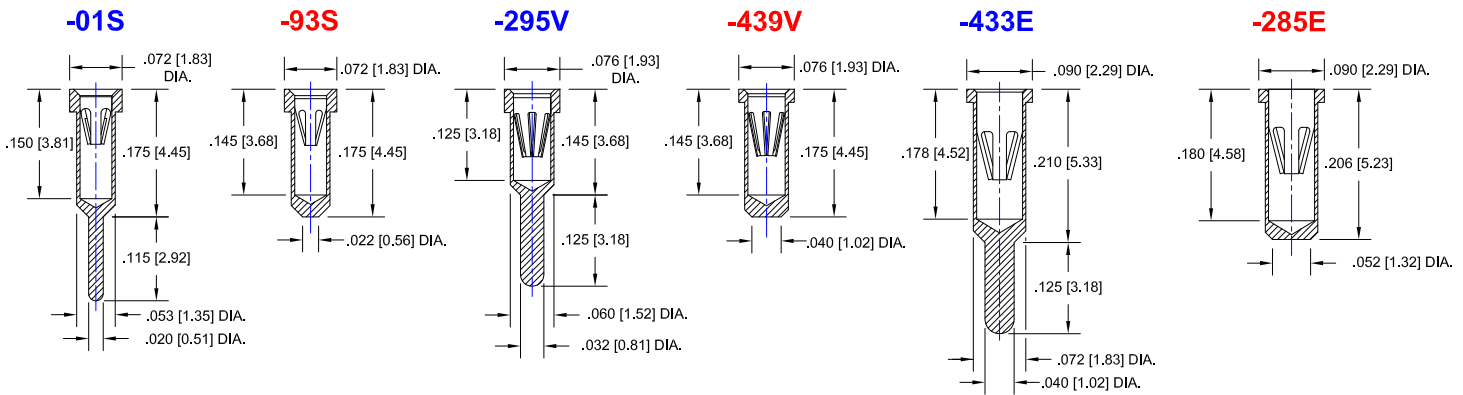
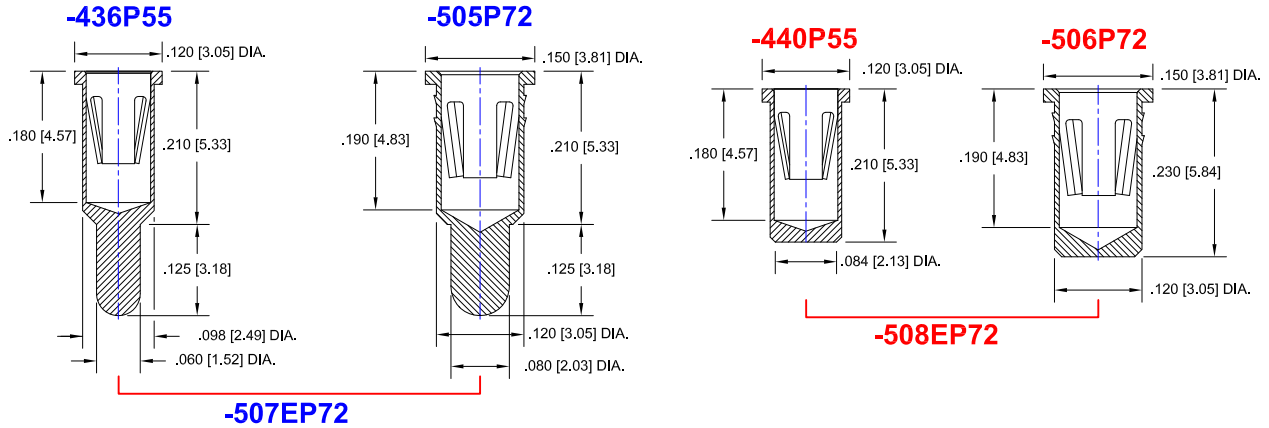
FIG.21

Thru-Hole: C10-2540-10-02-433E-R27-L14
Surface Mount: C10-2540-10-02-285E-R27-L14

POWER MATE TECHNOLOGY CO., LTD *Continued*

Top View Shown

Units: in [mm]



* FOR ULTRA LOW PROFILE THRU-HOLE ADD "9-"
IN FRONT OF SURFACE MOUNT PART NUMBER
9-CSPXXX-XX-XX-XXX-R27-L14

— SURFACE MOUNT TERMINAL

Technical Information

Material:

Insulator: Hi-Temp UL 94V-O
Terminal: Brass, per ASTM-B16
Contact: BeCu, Per ASTM-B194

Plating: RoHS COMPLIANT

R15 TERMINAL: GOLD / CONTACT: GOLD

R17 TERMINAL: TIN / CONTACT: GOLD

OTHER PLATINGS AVAILABLE

Terminal Acceptance and Forces

Thru Hole Terminals				Surface Mount Terminals			
Thru Hole Terminal	Accepts Pin Diameter	Insertion Force	Withdrawal Force	Surface Mount Terminal	Accepts Pin Diameter	Insertion Force	Withdrawal Force
-433E	Ø.040 [Ø1.02]	36.0 oz Avg.	3.9 oz Min	-285E	Ø.040 [Ø1.02]	36.0 oz Avg.	3.9 oz Min
-295V	Ø.030 [Ø0.76]	13.2 oz Avg.	3.5 oz Min	-439V	Ø.030 [Ø0.76]	13.2 oz Avg.	3.5 oz Min
-436P55	Ø.062 [Ø1.57]	15.5 oz Avg.	2.1 oz Min	-440P55	Ø.062 [Ø1.57]	15.5 oz Avg.	2.1 oz Min
-01S	Ø.018 [Ø0.46]	9.0 oz Avg.	2.0 oz Min	-93S	Ø.018 [Ø0.46]	9.0 oz Avg.	2.0 oz Min
-505P72	Ø.082 [Ø2.08]	48.0 oz Avg.	8.0 oz Min	-506P72	Ø.082 [Ø2.08]	48.0 oz Avg.	8.0 oz Min

MOUNTING OPTIONS

