

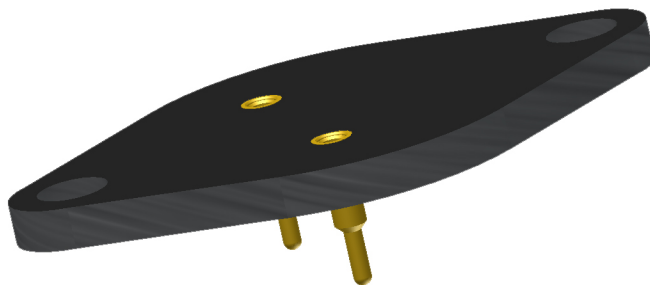
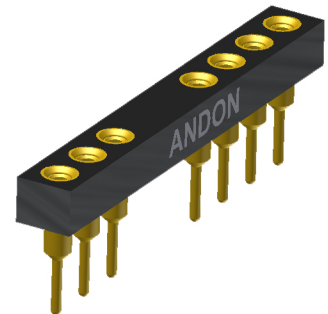


ANDON
INTERCONNECTION SPECIALISTS



RoHS Compliant
ISO 9001
Certified

HIGH RELIABILITY CONVERTER SOCKETS FOR



Featuring Andon's Unique Senstac™ Contact

Microsemi is a trade mark of Microsemi Corporation Corporate Headquarters

MICROSEMI CORPORATION CORPORATE HEADQUARTERS

MICROSEMI CORPORATION CORPORATE HEADQUARTERS Model Number	Andon Part Number Replace "XXX" with Terminal Type	Terminal Type		Pin Ø [in]	Figure Number	Page Number
		Thru-Hole	Surface Mount			
SGR1844-L	620-20B-SM-G10-S14-X	-	-	-	5	8
SG1844-L	620-20B-SM-G10-S14-X	-	-	-	5	8
SGR1845-L	620-20B-SM-G10-S14-X	-	-	-	5	8
SG1845-L	620-20B-SM-G10-S14-X	-	-	-	5	8
SGR1844L	620-20B-SM-G10-S14-X	-	-	-	5	8
SGR1844L-EV*	620-20B-SM-G10-S14-X	-	-	-	5	8
SGR1845L	620-20B-SM-G10-S14-X	-	-	-	5	8
SGR1845L-EV*	620-20B-SM-G10-S14-X	-	-	-	5	8
SG1548L/883B	620-20B-SM-G10-S14-X	-	-	-	5	8
SG1548L	620-20B-SM-G10-S14-X	-	-	-	5	8
SG137AL/883B	620-20B-SM-G10-S14-X	-	-	-	5	8
SG137AL/DESC	620-20B-SM-G10-S14-X	-	-	-	5	8
SG137AL	620-20B-SM-G10-S14-X	-	-	-	5	8
SG137L/883B	620-20B-SM-G10-S14-X	-	-	-	5	8
SG137LDESC	620-20B-SM-G10-S14-X	-	-	-	5	8
SG137L	620-20B-SM-G10-S14-X	-	-	-	5	8
SG140-XXL/883B	620-20B-SM-G10-S14-X	-	-	-	5	8
SG140-XXL	620-20B-SM-G10-S14-X	-	-	-	5	8
SG2XXL/883B	620-20B-SM-G10-S14-X	-	-	-	5	8
SG2XXL	620-20B-SM-G10-S14-X	-	-	-	5	8
SG117AL/883B	620-20B-SM-G10-S14-X	-	-	-	5	8
SG117AL/DESC	620-20B-SM-G10-S14-X	-	-	-	5	8
SG117AL	620-20B-SM-G10-S14-X	-	-	-	5	8
SG117L/883B	620-20B-SM-G10-S14-X	-	-	-	5	8
SG117L/DESC	620-20B-SM-G10-S14-X	-	-	-	5	8
SG117L	620-20B-SM-G10-S14-X	-	-	-	5	8
SG117AHV-L SERIES	620-20B-SM-G10-S14-X	-	-	-	5	8
SG117HV-L SERIES	620-20B-SM-G10-S14-X	-	-	-	5	8
SG32825CQ	620-20B-SM-G10-S14-X	-	-	-	5	8
SG2825CQ	620-20B-SM-G10-S14-X	-	-	-	5	8
SG1825CL	620-20B-SM-G10-S14-X	-	-	-	5	8
SG1825CL/883	620-20B-SM-G10-S14-X	-	-	-	5	8
SG1825CL/DESC	620-20B-SM-G10-S14-X	-	-	-	5	8
SG120-XXL/883B	620-20B-SM-G10-S14-X	-	-	-	5	8
SG120-XXL	620-20B-SM-G10-S14-X	-	-	-	5	8
SG117AHVL-883B	620-20B-SM-G10-S14-X	-	-	-	5	8
SG117AHVL	620-20B-SM-G10-S14-X	-	-	-	5	8
SG117HVL-883B	620-20B-SM-G10-S14-X	-	-	-	5	8
SG117HVL	620-20B-SM-G10-S14-X	-	-	-	5	8
SG1842L	620-20B-SM-G10-S14-X	-	-	-	5	8
SG1842L	620-20B-SM-G10-S14-X	-	-	-	5	8
SG1842L/883B	620-20B-SM-G10-S14-X	-	-	-	5	8
SG1843L/883B	620-20B-SM-G10-S14-X	-	-	-	5	8
SG1842L/DESC	620-20B-SM-G10-S14-X	-	-	-	5	8
SG1843L/DESC	620-20B-SM-G10-S14-X	-	-	-	5	8
SG1548L/883B	620-20B-SM-G10-S14-X	-	-	-	5	8
SG1548L	620-20B-SM-G10-S14-X	-	-	-	5	8
SG28XXL/883B	620-20B-SM-G10-S14-X	-	-	-	5	8
SG2803L/DESC	620-20B-SM-G10-S14-X	-	-	-	5	8
SG2821L/DESC	620-20B-SM-G10-S14-X	-	-	-	5	8
SG2823L/DESC	620-20B-SM-G10-S14-X	-	-	-	5	8
SG2824L/DESC	620-20B-SM-G10-S14-X	-	-	-	5	8
SG28XXL	620-20B-SM-G10-S14-X	-	-	-	5	8
SG1526BL/883B	620-20B-SM-G10-S14-X	-	-	-	5	8
SG1526BL	620-20B-SM-G10-S14-X	-	-	-	5	8

Heat sink socket available to reduce heat and noise. Contact Andon for details.

MICROSEMI CORPORATION CORPORATE HEADQUARTERS

MICROSEMI CORPORATION CORPORATE HEADQUARTERS Model Number	Andon Part Number Replace "XXX" with Terminal Type	Terminal Type		Pin Ø [in]	Figure Number	Page Number
		Thru-Hole	Surface Mount			
SG1526L/883B	620-20B-SM-G10-S14-X	-	-	-	5	8
SG1526L	620-20B-SM-G10-S14-X	-	-	-	5	8
2N6796U	620-16B-SM-G10-L14-X	-	-	-	4	8
2N6798U	620-16B-SM-G10-L14-X	-	-	-	4	8
2N6800U	620-16B-SM-G10-L14-X	-	-	-	4	8
2N6802U	620-16B-SM-G10-L14-X	-	-	-	4	8
2N6782U	620-16B-SM-G10-L14-X	-	-	-	4	8
2N6784U	620-16B-SM-G10-L14-X	-	-	-	4	8
2N6786U	620-16B-SM-G10-L14-X	-	-	-	4	8
2N6788U	620-16B-SM-G10-L14-X	-	-	-	4	8
2N6790U	620-16B-SM-G10-L14-X	-	-	-	4	8
JANS SN7389U	620-16B-SM-G10-L14-X	-	-	-	4	8
2N6849U	620-16B-SM-G10-L14-X	-	-	-	4	8
2N6790U	620-16B-SM-G10-L14-X	-	-	-	4	8
2N6800	620-16B-SM-G10-L14-X	-	-	-	4	8
2N6800U	620-16B-SM-G10-L14-X	-	-	-	4	8
EDI88512CA-502	620D-36-SM-G10-L14-X	-	-	-	6	8
WMF2MB-XXX5-44	620-44-SM-G10-L14-X	-	-	-	3	7
EDI88130CS-141	620D-32-SM-G10-L14-X	-	-	-	7	9
EDI88130CS-12	620-32-SM-G10-L14-X	-	-	-	8	9
SGR1844Y	C10-308-08-01-XXX-R27-L14	01S	93S	.018	1	7
SGR1844Y-EV*	C10-308-08-01-XXX-R27-L14	01S	93S	.018	1	7
SGR1845Y	C10-308-08-01-XXX-R27-L14	01S	93S	.018	1	7
SGR1845Y-EV*	C10-308-08-01-XXX-R27-L14	01S	93S	.018	1	7
SG3842Y	C10-308-08-01-XXX-R27-L14	01S	93S	.018	1	7
SG3843Y	C10-308-08-01-XXX-R27-L14	01S	93S	.018	1	7
SG2842Y	C10-308-08-01-XXX-R27-L14	01S	93S	.018	1	7
SG2843Y	C10-308-08-01-XXX-R27-L14	01S	93S	.018	1	7
SG1842Y	C10-308-08-01-XXX-R27-L14	01S	93S	.018	1	7
SG1843Y	C10-308-08-01-XXX-R27-L14	01S	93S	.018	1	7
SG1842Y/883B	C10-308-08-01-XXX-R27-L14	01S	93S	.018	1	7
SG1843Y/883B	C10-308-08-01-XXX-R27-L14	01S	93S	.018	1	7
SG1842Y/DESC	C10-308-08-01-XXX-R27-L14	01S	93S	.018	1	7
SG1843Y/DESC	C10-308-08-01-XXX-R27-L14	01S	93S	.018	1	7
SG3842M	C10-308-08-01-XXX-R27-L14	01S	93S	.018	1	7
SG3843M	C10-308-08-01-XXX-R27-L14	01S	93S	.018	1	7
SG2842M	C10-308-08-01-XXX-R27-L14	01S	93S	.018	1	7
SG2843M	C10-308-08-01-XXX-R27-L14	01S	93S	.018	1	7
SGR1844J	C10-312-12-01-XXX-R27-L14	01S	93S	.018	9	9
SGR1844J-EV*	C10-312-12-01-XXX-R27-L14	01S	93S	.018	9	9
SGR1845J	C10-312-12-01-XXX-R27-L14	01S	93S	.018	9	9
SGR1845J-EV*	C10-312-12-01-XXX-R27-L14	01S	93S	.018	9	9
SG3842J	C10-312-12-01-XXX-R27-L14	01S	93S	.018	9	9
SG2842J	C10-312-12-01-XXX-R27-L14	01S	93S	.018	9	9
SG2843J	C10-312-12-01-XXX-R27-L14	01S	93S	.018	9	9
SG1842J	C10-312-12-01-XXX-R27-L14	01S	93S	.018	9	9
SG1843J	C10-312-12-01-XXX-R27-L14	01S	93S	.018	9	9
SG1842J/883B	C10-312-12-01-XXX-R27-L14	01S	93S	.018	9	9
SG1843J/883B	C10-312-12-01-XXX-R27-L14	01S	93S	.018	9	9
SG1842J/DESC	C10-312-12-01-XXX-R27-L14	01S	93S	.018	9	9
SG1843J/DESC	C10-312-12-01-XXX-R27-L14	01S	93S	.018	9	9
SG3842N	C10-312-12-01-XXX-R27-L14	01S	93S	.018	9	9
SG3843N	C10-312-12-01-XXX-R27-L14	01S	93S	.018	9	9
SG1846-J	C10-416-16-01-XXX-R27-L14	01S	93S	.018	10	9
SGR1846-J	C10-416-16-01-XXX-R27-L14	01S	93S	.018	10	9

Heat sink socket available to reduce heat and noise. Contact Andon for details.

MICROSEMI CORPORATION CORPORATE HEADQUARTERS

MICROSEMI CORPORATION CORPORATE HEADQUARTERS Model Number	Andon Part Number Replace "XXX" with Terminal Type	Terminal Type		Pin Ø [in]	Figure Number	Page Number
		Thru-Hole	Surface Mount			
SG1584J/883B	C10-416-16-01-XXX-R27-L14	01S	93S	.018	10	9
SG1548J	C10-416-16-01-XXX-R27-L14	01S	93S	.018	10	9
SG2548J	C10-416-16-01-XXX-R27-L14	01S	93S	.018	10	9
SG3548J	C10-416-16-01-XXX-R27-L14	01S	93S	.018	10	9
SG2548N	C10-416-16-01-XXX-R27-L14	01S	93S	.018	10	9
SG3548NSG2XXXJ/883B	C10-416-16-01-XXX-R27-L14	01S	93S	.018	10	9
SG2023J/DESC	C10-416-16-01-XXX-R27-L14	01S	93S	.018	10	9
JAN2001J	C10-416-16-01-XXX-R27-L14	01S	93S	.018	10	9
JAN2002J	C10-416-16-01-XXX-R27-L14	01S	93S	.018	10	9
JAN2003J	C10-416-16-01-XXX-R27-L14	01S	93S	.018	10	9
JAN2004J	C10-416-16-01-XXX-R27-L14	01S	93S	.018	10	9
SG2XXXJ	C10-416-16-01-XXX-R27-L14	01S	93S	.018	10	9
SG1548J/883B	C10-416-16-01-XXX-R27-L14	01S	93S	.018	10	9
SG1548J	C10-416-16-01-XXX-R27-L14	01S	93S	.018	10	9
SG2548J	C10-416-16-01-XXX-R27-L14	01S	93S	.018	10	9
SG3548J	C10-416-16-01-XXX-R27-L14	01S	93S	.018	10	9
SG2548N	C10-416-16-01-XXX-R27-L14	01S	93S	.018	10	9
SG3548N	C10-416-16-01-XXX-R27-L14	01S	93S	.018	10	9
SG79XL/883B	C10-416-16-01-XXX-R27-L14	01S	93S	.018	10	9
SG79XL	C10-416-16-01-XXX-R27-L14	01S	93S	.018	10	9
SG7905AL/DESC	C10-416-16-01-XXX-R27-L14	01S	93S	.018	10	9
SG7912AL/DESC	C10-416-16-01-XXX-R27-L14	01S	93S	.018	10	9
SG7805AL/DESC	C10-416-16-01-XXX-R27-L14	01S	93S	.018	10	9
SG7812AL/DESC	C10-416-16-01-XXX-R27-L14	01S	93S	.018	10	9
SG7815AL/DESC	C10-416-16-01-XXX-R27-L14	01S	93S	.018	10	9
SG78XL/883B	C10-416-16-01-XXX-R27-L14	01S	93S	.018	10	9
SG3825CJ	C10-416-16-01-XXX-R27-L14	01S	93S	.018	10	9
SG282CJ	C10-416-16-01-XXX-R27-L14	01S	93S	.018	10	9
SG1825CJ	C10-416-16-01-XXX-R27-L14	01S	93S	.018	10	9
SG1825CJ/883B	C10-416-16-01-XXX-R27-L14	01S	93S	.018	10	9
SG1825CJ/DESC	C10-416-16-01-XXX-R27-L14	01S	93S	.018	10	9
SG3825CN	C10-416-16-01-XXX-R27-L14	01S	93S	.018	10	9
SG2825CN	C10-416-16-01-XXX-R27-L14	01S	93S	.018	10	9
ED188128CS-9	C10-632-32-01-XXX-R27-L14	01S	93S	.018	11	10
ED188128CS-102	C10-432-32-01-XXX-R27-L14	01S	93S	.018	12	10
2N6796	R200-0403-03T-XXX-R27-L14	01S	93S	.018	13	10
2N6798	R200-0403-03T-XXX-R27-L14	01S	93S	.018	13	10
2N6800	R200-0403-03T-XXX-R27-L14	01S	93S	.018	13	10
2N6802	R200-0403-03T-XXX-R27-L14	01S	93S	.018	13	10
2N6782	R200-0403-03T-XXX-R27-L14	01S	93S	.018	13	10
2N6784	R200-0403-03T-XXX-R27-L14	01S	93S	.018	13	10
2N6786	R200-0403-03T-XXX-R27-L14	01S	93S	.018	13	10
JANS SN7389	R200-0403-03T-XXX-R27-L14	01S	93S	.018	13	10
2N6790	R200-0403-03T-XXX-R27-L14	01S	93S	.018	13	10
2N6849	R200-0403-03T-XXX-R27-L14	01S	93S	.018	13	10
2N6798	R200-0403-03T-XXX-R27-L14	01S	93S	.018	13	10
SG117AHVT-883B8-T	R200-0403-03T-XXX-R27-L14	01S	93S	.018	13	10
SG117AHVT-T	R200-0403-03T-XXX-R27-L14	01S	93S	.018	13	10
SG117HVT-883B-T	R200-0403-03T-XXX-R27-L14	01S	93S	.018	13	10
SG117HVT-T	R200-0403-03T-XXX-R27-L14	01S	93S	.018	13	10
2N6800	R200-0403-03T-XXX-R27-L14	01S	93S	.018	13	10
SG117AHV-T SERIES	R200-0403-03T-XXX-R27-L14	01S	93S	.018	13	10
SG117HV-T SERIES	R200-0403-03T-XXX-R27-L14	01S	93S	.018	13	10
SG109T/883B	R200-0403-03T-XXX-R27-L14	01S	93S	.018	13	10
JAN109T	R200-0403-03T-XXX-R27-L14	01S	93S	.018	13	10

Heat sink socket available to reduce heat and noise. Contact Andon for details.

MICROSEMI CORPORATION CORPORATE HEADQUARTERS

MICROSEMI CORPORATION CORPORATE HEADQUARTERS Model Number	Andon Part Number Replace "XXX" with Terminal Type	Terminal Type		Pin Ø [in]	Figure Number	Page Number
		Thru-Hole	Surface Mount			
SG109T	R200-0403-03T-XXX-R27-L14	01S	93S	.018	13	10
SG309T	R200-0403-03T-XXX-R27-L14	01S	93S	.018	13	10
SG120-XXT/883B-T	R200-0403-03T-XXX-R27-L14	01S	93S	.018	13	10
SG120-XXT-T	R200-0403-03T-XXX-R27-L14	01S	93S	.018	13	10
SG117AT/883B-T	R200-0403-03T-XXX-R27-L14	01S	93S	.018	13	10
SG117AT/DESC-T	R200-0403-03T-XXX-R27-L14	01S	93S	.018	13	10
SG117AT-T	R200-0403-03T-XXX-R27-L14	01S	93S	.018	13	10
SG217AT-T	R200-0403-03T-XXX-R27-L14	01S	93S	.018	13	10
SG317AT-T	R200-0403-03T-XXX-R27-L14	01S	93S	.018	13	10
SG117T/883B-T	R200-0403-03T-XXX-R27-L14	01S	93S	.018	13	10
JAN117T-T	R200-0403-03T-XXX-R27-L14	01S	93S	.018	13	10
SG117T/DESC-T	R200-0403-03T-XXX-R27-L14	01S	93S	.018	13	10
SG117T-T	R200-0403-03T-XXX-R27-L14	01S	93S	.018	13	10
SG217T-T	R200-0403-03T-XXX-R27-L14	01S	93S	.018	13	10
SG317T-T	R200-0403-03T-XXX-R27-L14	01S	93S	.018	13	10
SG137AT/883B-T	R200-0403-03T-XXX-R27-L14	01S	93S	.018	13	10
SG137AT/DESC-T	R200-0403-03T-XXX-R27-L14	01S	93S	.018	13	10
SG137AT-T	R200-0403-03T-XXX-R27-L14	01S	93S	.018	13	10
SG237AT-T	R200-0403-03T-XXX-R27-L14	01S	93S	.018	13	10
SG337AT-T	R200-0403-03T-XXX-R27-L14	01S	93S	.018	13	10
SG137T/883B-T	R200-0403-03T-XXX-R27-L14	01S	93S	.018	13	10
SG137T/DESC-T	R200-0403-03T-XXX-R27-L14	01S	93S	.018	13	10
SG137T-T	R200-0403-03T-XXX-R27-L14	01S	93S	.018	13	10
SG237T-T	R200-0403-03T-XXX-R27-L14	01S	93S	.018	13	10
SG337T-T	R200-0403-03T-XXX-R27-L14	01S	93S	.018	13	10
SG78XXAT/883B-T	R200-0403-03T-XXX-R27-L14	01S	93S	.018	13	10
SG7805AT/DESC-T	R200-0403-03T-XXX-R27-L14	01S	93S	.018	13	10
SG7812AT/DESC-T	R200-0403-03T-XXX-R27-L14	01S	93S	.018	13	10
SG7815AT/DESC-T	R200-0403-03T-XXX-R27-L14	01S	93S	.018	13	10
SG78XXAT	R200-0403-03T-XXX-R27-L14	01S	93S	.018	13	10
SG78XXT/883B-T	R200-0403-03T-XXX-R27-L14	01S	93S	.018	13	10
JAN7805T-T	R200-0403-03T-XXX-R27-L14	01S	93S	.018	13	10
JAN7812T-T	R200-0403-03T-XXX-R27-L14	01S	93S	.018	13	10
JAN7815T-T	R200-0403-03T-XXX-R27-L14	01S	93S	.018	13	10
SG78XXT-T	R200-0403-03T-XXX-R27-L14	01S	93S	.018	13	10
SG140-XXT/883B-T	R200-0403-03T-XXX-R27-L14	01S	93S	.018	13	10
SG140-XXT-T	R200-0403-03T-XXX-R27-L14	01S	93S	.018	13	10
SG79XXAT/883B-T	R200-0403-03T-XXX-R27-L14	01S	93S	.018	13	10
SG7905AT/DESC-T	R200-0403-03T-XXX-R27-L14	01S	93S	.018	13	10
SG7912AT/DESC-T	R200-0403-03T-XXX-R27-L14	01S	93S	.018	13	10
SG7915AT/DESC-T	R200-0403-03T-XXX-R27-L14	01S	93S	.018	13	10
SG79XXAT	R200-0403-03T-XXX-R27-L14	01S	93S	.018	13	10
SG79XXT/883B-T	R200-0403-03T-XXX-R27-L14	01S	93S	.018	13	10
JAN7905T-T	R200-0403-03T-XXX-R27-L14	01S	93S	.018	13	10
JAN7912T-T	R200-0403-03T-XXX-R27-L14	01S	93S	.018	13	10
JAN7915T-T	R200-0403-03T-XXX-R27-L14	01S	93S	.018	13	10
SG79XXT-T	R200-0403-03T-XXX-R27-L14	01S	93S	.018	13	10
SG137AK/883B	R200-0403-03T-XXX-R27-L14	01S	93S	.018	13	10
SG137AK/DESC	R200-0403-03T-XXX-R27-L14	01S	93S	.018	13	10
SG137AK	R200-0403-03T-XXX-R27-L14	01S	93S	.018	13	10
SG237AK	R200-0403-03T-XXX-R27-L14	01S	93S	.018	13	10
SG337AK	R200-0403-03T-XXX-R27-L14	01S	93S	.018	13	10
SG137K/883B	R200-0403-03T-XXX-R27-L14	01S	93S	.018	13	10
JAN137K	R200-0403-03T-XXX-R27-L14	01S	93S	.018	13	10
SG137K/DESC	R200-0403-03T-XXX-R27-L14	01S	93S	.018	13	10

Heat sink socket available to reduce heat and noise. Contact Andon for details.

MICROSEMI CORPORATION CORPORATE HEADQUARTERS

MICROSEMI CORPORATION CORPORATE HEADQUARTERS Model Number	Andon Part Number Replace "XXX" with Terminal Type	Terminal Type		Pin Ø [in]	Figure Number	Page Number
		Thru-Hole	Surface Mount			
SG137K	R200-0403-03T-XXX-R27-L14	01S	93S	.018	13	10
SG237K	R200-0403-03T-XXX-R27-L14	01S	93S	.018	13	10
SG337K	R200-0403-03T-XXX-R27-L14	01S	93S	.018	13	10
SG137AR/883B	R200-0403-03T-XXX-R27-L14	01S	93S	.018	13	10
SG137AR/DESC	R200-0403-03T-XXX-R27-L14	01S	93S	.018	13	10
SG137AR	R200-0403-03T-XXX-R27-L14	01S	93S	.018	13	10
SG237AR	R200-0403-03T-XXX-R27-L14	01S	93S	.018	13	10
SG337AR	R200-0403-03T-XXX-R27-L14	01S	93S	.018	13	10
SG137R/883B	R200-0403-03T-XXX-R27-L14	01S	93S	.018	13	10
SG137R/DESC	R200-0403-03T-XXX-R27-L14	01S	93S	.018	13	10
SG137R	R200-0403-03T-XXX-R27-L14	01S	93S	.018	13	10
SG237R	R200-0403-03T-XXX-R27-L14	01S	93S	.018	13	10
SG337R	R200-0403-03T-XXX-R27-L14	01S	93S	.018	13	10
SG117AHV-K SERIES	F430-SP02-01-XXX-R27-L14	433E	285E	.040	14	10
SG117HV-K SERIES	F430-SP02-01-XXX-R27-L14	433E	285E	.040	14	10
SG117AHVK-883B-K	F430-SP02-01-XXX-R27-L14	433E	285E	.040	14	10
SG117AHVK-K	F430-SP02-01-XXX-R27-L14	433E	285E	.040	14	10
SG117HV-K-883B-K	F430-SP02-01-XXX-R27-L14	433E	285E	.040	14	10
SG117HV-K-K	F430-SP02-01-XXX-R27-L14	433E	285E	.040	14	10
SG109K/883B-K	F430-SP02-01-XXX-R27-L14	433E	285E	.040	14	10
SG109K-K	F430-SP02-01-XXX-R27-L14	433E	285E	.040	14	10
SG309K-K	F430-SP02-01-XXX-R27-L14	433E	285E	.040	14	10
SG109R/883B-K	F430-SP02-01-XXX-R27-L14	433E	285E	.040	14	10
SG109R-K	F430-SP02-01-XXX-R27-L14	433E	285E	.040	14	10
SG309R-K	F430-SP02-01-XXX-R27-L14	433E	285E	.040	14	10
SG140-XXR/883B-K	F430-SP02-01-XXX-R27-L14	433E	285E	.040	14	10
SG140-XXR-K	F430-SP02-01-XXX-R27-L14	433E	285E	.040	14	10
SG140-XXK/883B-K	F430-SP02-01-XXX-R27-L14	433E	285E	.040	14	10
SG140-XXK-K	F430-SP02-01-XXX-R27-L14	433E	285E	.040	14	10
SG137AK/883B-K	F430-SP02-01-XXX-R27-L14	433E	285E	.040	14	10
SG137AK/DESC-K	F430-SP02-01-XXX-R27-L14	433E	285E	.040	14	10
SG137AK-K	F430-SP02-01-XXX-R27-L14	433E	285E	.040	14	10
SG237AK-K	F430-SP02-01-XXX-R27-L14	433E	285E	.040	14	10
SG337AK-K	F430-SP02-01-XXX-R27-L14	433E	285E	.040	14	10
SG137K/883B-K	F430-SP02-01-XXX-R27-L14	433E	285E	.040	14	10
JAN137K-K	F430-SP02-01-XXX-R27-L14	433E	285E	.040	14	10
SG137K/DESC-K	F430-SP02-01-XXX-R27-L14	433E	285E	.040	14	10
SG137K-K	F430-SP02-01-XXX-R27-L14	433E	285E	.040	14	10
SG237K-K	F430-SP02-01-XXX-R27-L14	433E	285E	.040	14	10
SG337K-K	F430-SP02-01-XXX-R27-L14	433E	285E	.040	14	10
SG137AR/883K-K	F430-SP02-01-XXX-R27-L14	433E	285E	.040	14	10
SG137AR/DESC-K	F430-SP02-01-XXX-R27-L14	433E	285E	.040	14	10
SG137AR-K	F430-SP02-01-XXX-R27-L14	433E	285E	.040	14	10
SG237AR-K	F430-SP02-01-XXX-R27-L14	433E	285E	.040	14	10
SG337AR-K	F430-SP02-01-XXX-R27-L14	433E	285E	.040	14	10
SG137R/883B-K	F430-SP02-01-XXX-R27-L14	433E	285E	.040	14	10
SG137R/DESC-K	F430-SP02-01-XXX-R27-L14	433E	285E	.040	14	10
SG137R-K	F430-SP02-01-XXX-R27-L14	433E	285E	.040	14	10
SG237R-K	F430-SP02-01-XXX-R27-L14	433E	285E	.040	14	10
SG337R-K	F430-SP02-01-XXX-R27-L14	433E	285E	.040	14	10
SG117AK/883B-K	F430-SP02-01-XXX-R27-L14	433E	285E	.040	14	10
SG117AK/DESC-K	F430-SP02-01-XXX-R27-L14	433E	285E	.040	14	10
SG117AK-K	F430-SP02-01-XXX-R27-L14	433E	285E	.040	14	10
SG217AK-K	F430-SP02-01-XXX-R27-L14	433E	285E	.040	14	10
SG317AK-K	F430-SP02-01-XXX-R27-L14	433E	285E	.040	14	10

Heat sink socket available to reduce heat and noise. Contact Andon for details.

MICROSEMI CORPORATION CORPORATE HEADQUARTERS

MICROSEMI CORPORATION CORPORATE HEADQUARTERS Model Number	Andon Part Number Replace "XXX" with Terminal Type	Terminal Type		Pin Ø [in]	Figure Number	Page Number
		Thru-Hole	Surface Mount			
SG117K/883B-K	F430-SP02-01-XXX-R27-L14	433E	285E	.040	14	10
JAN117K-K	F430-SP02-01-XXX-R27-L14	433E	285E	.040	14	10
SG117K/DESC-K	F430-SP02-01-XXX-R27-L14	433E	285E	.040	14	10
SG117K-K	F430-SP02-01-XXX-R27-L14	433E	285E	.040	14	10
SG217K-K	F430-SP02-01-XXX-R27-L14	433E	285E	.040	14	10
SG317K-K	F430-SP02-01-XXX-R27-L14	433E	285E	.040	14	10
SG120-XXK/883B-K	F430-SP02-01-XXX-R27-L14	433E	285E	.040	14	10
SG120-XXK-K	F430-SP02-01-XXX-R27-L14	433E	285E	.040	14	10
SG120-XXK-K	F430-SP02-01-XXX-R27-L14	433E	285E	.040	14	10
SG120-XXR/883B-K	F430-SP02-01-XXX-R27-L14	433E	285E	.040	14	10
SG120-XXR-K	F430-SP02-01-XXX-R27-L14	433E	285E	.040	14	10
SG78XXAK/883B-K	F430-SP02-01-XXX-R27-L14	433E	285E	.040	14	10
SG7805AK/DESC-K	F430-SP02-01-XXX-R27-L14	433E	285E	.040	14	10
SG7812AK/DESC-K	F430-SP02-01-XXX-R27-L14	433E	285E	.040	14	10
SG7815AK/DESC-K	F430-SP02-01-XXX-R27-L14	433E	285E	.040	14	10
SG7815AK/DESC-K	F430-SP02-01-XXX-R27-L14	433E	285E	.040	14	10
SG78XXAK-K	F430-SP02-01-XXX-R27-L14	433E	285E	.040	14	10
SG78XXK/883B-K	F430-SP02-01-XXX-R27-L14	433E	285E	.040	14	10
JAN7805K-K	F430-SP02-01-XXX-R27-L14	433E	285E	.040	14	10
JAN7812K-K	F430-SP02-01-XXX-R27-L14	433E	285E	.040	14	10
JAN7815K-K	F430-SP02-01-XXX-R27-L14	433E	285E	.040	14	10
SG78XXK-K	F430-SP02-01-XXX-R27-L14	433E	285E	.040	14	10
SG79XXAK/883B-K	F430-SP02-01-XXX-R27-L14	433E	285E	.040	14	10
SG7905AK/DESC-K	F430-SP02-01-XXX-R27-L14	433E	285E	.040	14	10
SG7912AK/DESC-K	F430-SP02-01-XXX-R27-L14	433E	285E	.040	14	10
SG7915AK/DESC-K	F430-SP02-01-XXX-R27-L14	433E	285E	.040	14	10
SG79XXAK-K	F430-SP02-01-XXX-R27-L14	433E	285E	.040	14	10
SG79XXK/883B-K	F430-SP02-01-XXX-R27-L14	433E	285E	.040	14	10
JAN7905K-K	F430-SP02-01-XXX-R27-L14	433E	285E	.040	14	10
JAN7912K-K	F430-SP02-01-XXX-R27-L14	433E	285E	.040	14	10
JAN7915K-K	F430-SP02-01-XXX-R27-L14	433E	285E	.040	14	10
SG79XXK	F430-SP02-01-XXX-R27-L14	433E	285E	.040	14	10
SG1526BJ/883B	C10-318-18-01-XXX-R27-L14	01S	93S	.018	2	7
JAN1526BJ	C10-318-18-01-XXX-R27-L14	01S	93S	.018	2	7
SG1526BJ/DESC	C10-318-18-01-XXX-R27-L14	01S	93S	.018	2	7
SG1526BJ	C10-318-18-01-XXX-R27-L14	01S	93S	.018	2	7
SG2526BJ	C10-318-18-01-XXX-R27-L14	01S	93S	.018	2	7
SG3526BJ	C10-318-18-01-XXX-R27-L14	01S	93S	.018	2	7
SG2526BN	C10-318-18-01-XXX-R27-L14	01S	93S	.018	2	7
SG3526BN	C10-318-18-01-XXX-R27-L14	01S	93S	.018	2	7
SG28XXJ/883B	C10-318-18-01-XXX-R27-L14	01S	93S	.018	2	7
JAN2801J	C10-318-18-01-XXX-R27-L14	01S	93S	.018	2	7
JAN2802J	C10-318-18-01-XXX-R27-L14	01S	93S	.018	2	7
JAN2803J	C10-318-18-01-XXX-R27-L14	01S	93S	.018	2	7
JAN2804J	C10-318-18-01-XXX-R27-L14	01S	93S	.018	2	7
SG2803J/DESC	C10-318-18-01-XXX-R27-L14	01S	93S	.018	2	7
SG2821J/DESC	C10-318-18-01-XXX-R27-L14	01S	93S	.018	2	7
SG2823J/DESC	C10-318-18-01-XXX-R27-L14	01S	93S	.018	2	7
SG2824J/DESC	C10-318-18-01-XXX-R27-L14	01S	93S	.018	2	7
SG28XXJ	C10-318-18-01-XXX-R27-L14	01S	93S	.018	2	7
SG1544J/883B	C10-318-18-01-XXX-R27-L14	01S	93S	.018	2	7
SG1544J/DESC	C10-318-18-01-XXX-R27-L14	01S	93S	.018	2	7
SG1544J	C10-318-18-01-XXX-R27-L14	01S	93S	.018	2	7
SG2544J	C10-318-18-01-XXX-R27-L14	01S	93S	.018	2	7
SG3544J	C10-318-18-01-XXX-R27-L14	01S	93S	.018	2	7

Heat sink socket available to reduce heat and noise. Contact Andon for details.

MICROSEMI CORPORATION CORPORATE HEADQUARTERS

MICROSEMI CORPORATION CORPORATE HEADQUARTERS Model Number	Andon Part Number Replace "XXX" with Terminal Type	Terminal Type		Pin Ø [in]	Figure Number	Page Number
		Thru-Hole	Surface Mount			
SG2544N	C10-318-18-01-XXX-R27-L14	01S	93S	.018	2	7
SG3544N	C10-318-18-01-XXX-R27-L14	01S	93S	.018	2	7
SG1526J/883B	C10-318-18-01-XXX-R27-L14	01S	93S	.018	2	7
SG1526J	C10-318-18-01-XXX-R27-L14	01S	93S	.018	2	7
SG2526J	C10-318-18-01-XXX-R27-L14	01S	93S	.018	2	7
SG3526J	C10-318-18-01-XXX-R27-L14	01S	93S	.018	2	7
SG2526N	C10-318-18-01-XXX-R27-L14	01S	93S	.018	2	7
SG3526N	C10-318-18-01-XXX-R27-L14	01S	93S	.018	2	7

Heat sink socket available to reduce heat and noise. Contact Andon for details.

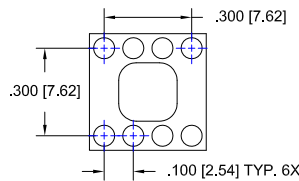


FIG.1

Thru-Hole: C10-308-08-01-01S-R27-L14
Surface Mount: C10-308-08-01-93S-R27-L14

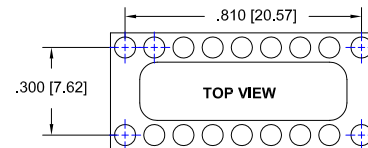


FIG.2

Thru-Hole: C10-318-18-01-01S-R27-L14
Surface Mount: C10-318-18-01-93S-R27-L14

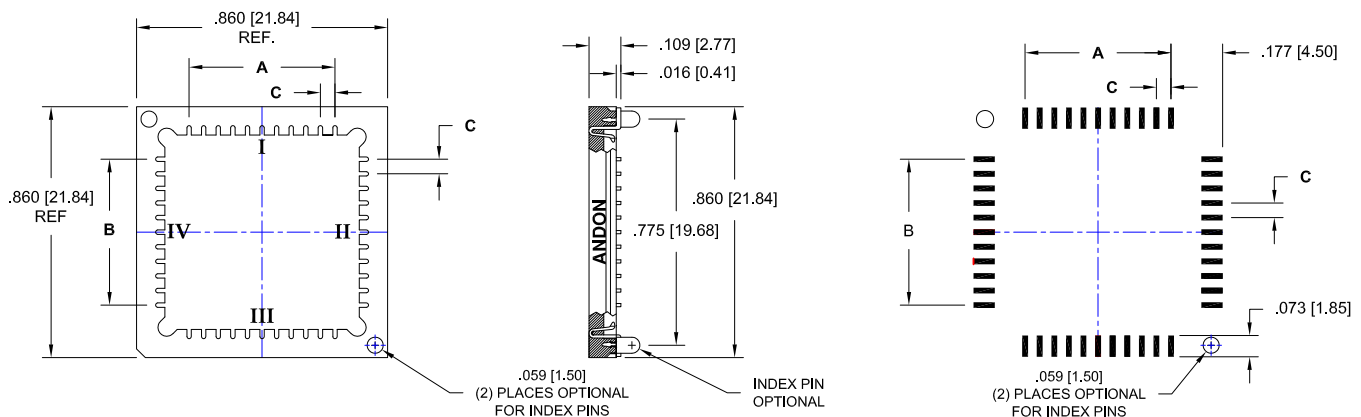


Fig. 3

Surface Mount: 620-44-SM-G10-L14-X

MICROSEMI CORPORATION CORPORATE HEADQUARTERS *Continued*

Socket Terminal Details
Cross Section View Shown Units: in [mm]

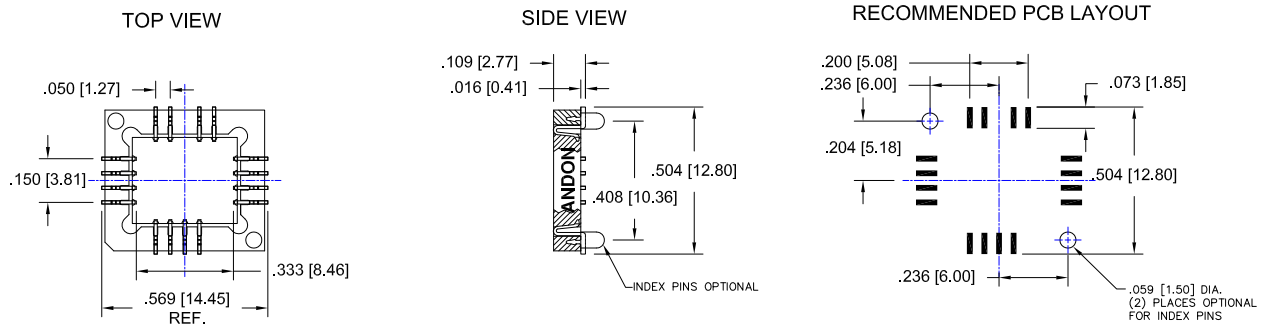


Fig. 4
Surface Mount: 620-16B-SM-G10-L14-X
Contact Plating = Gold

Replace "-X" with "-1" for index pins or "-0" for none

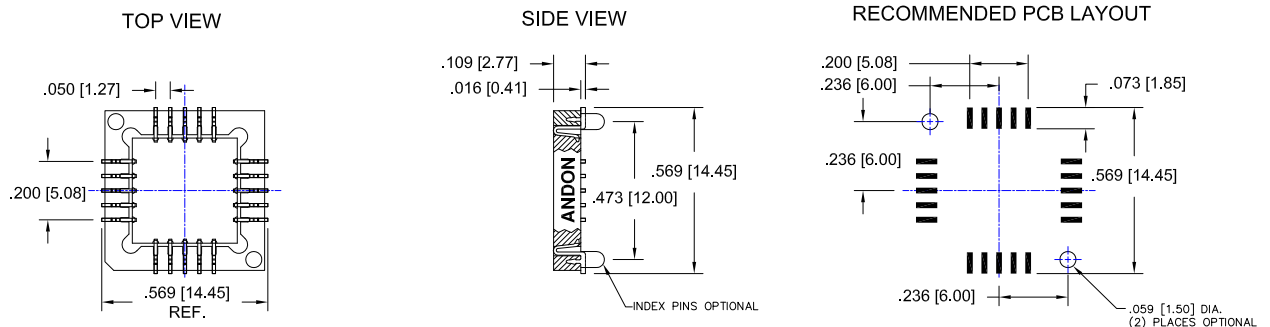


Fig. 5
Surface Mount: 620-20B-SM-G10-L14-X
Contact Plating = Gold

Replace "-X" with "-1" for index pins or "-0" for none

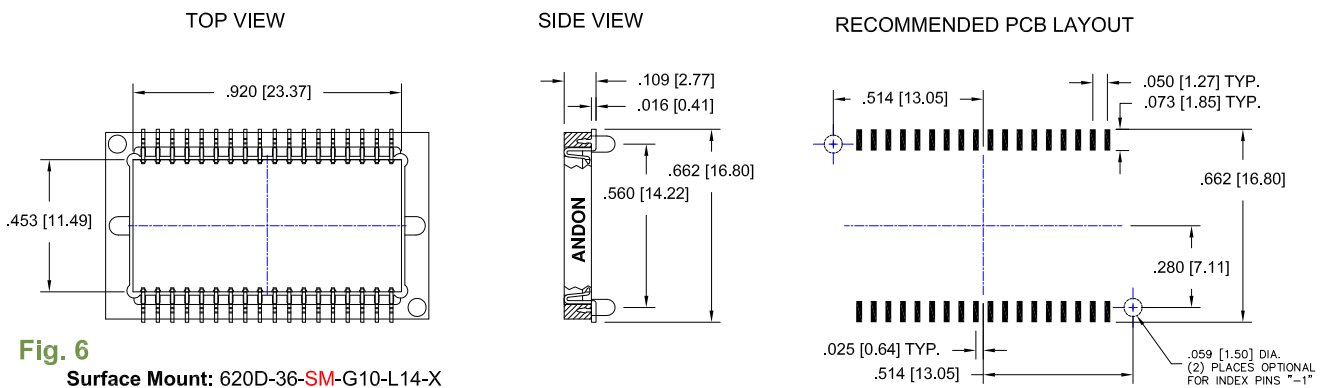


Fig. 6
Surface Mount: 620D-36-SM-G10-L14-X
Contact Plating = Gold

Replace "-X" with "-1" for index pins or "-0" for none

MICROSEMI CORPORATION CORPORATE HEADQUARTERS *Continued*

Socket Terminal Details
Cross Section View Shown Units: in [mm]

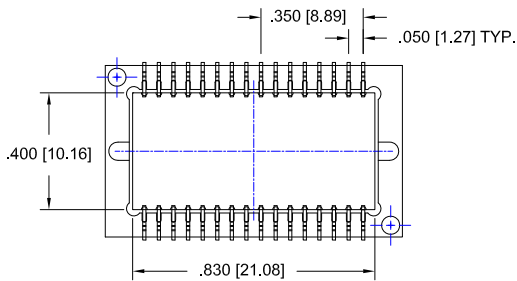


Fig. 7

Surface Mount: 620D-32-SM-G10-L14-X

Contact Plating = Gold

Replace "-X" with "-1" for index pins or "-0" for none

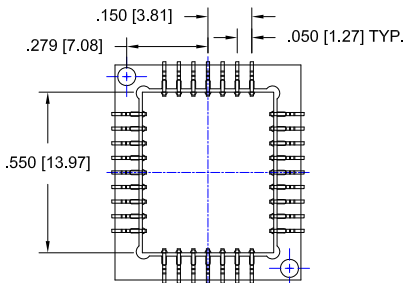
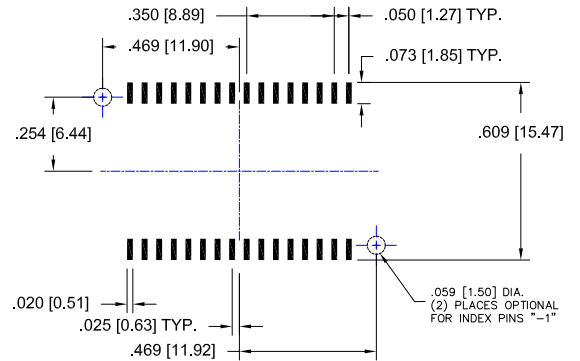
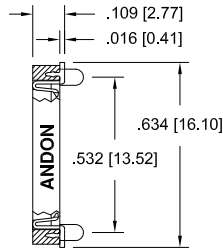


Fig. 8

Surface Mount: 620-32-SM-G10-L14-X

Contact Plating = Gold

Replace "-X" with "-1" for index pins or "-0" for none

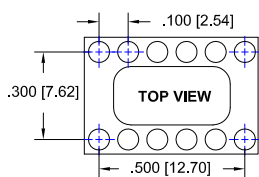
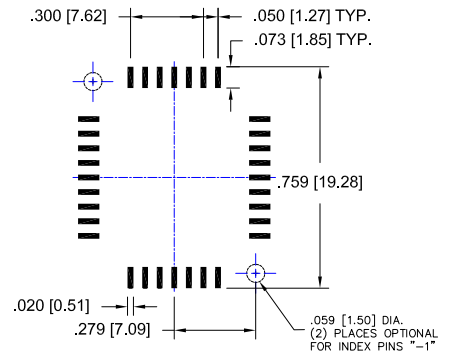
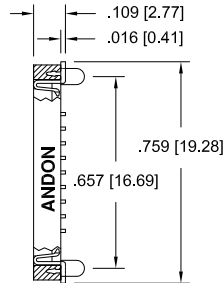


FIG.9

Thru-Hole: C10-312-12-01-01S-R27-L14
Surface Mount: C10-312-12-01-93S-R27-L14

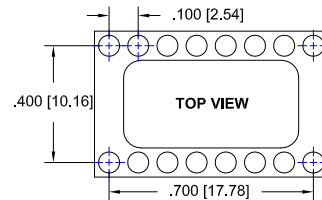


FIG.10

Thru-Hole: C10-416-16-01-01S-R27-L14
Surface Mount: C10-416-16-01-93S-R27-L14

MICROSEMI CORPORATION CORPORATE HEADQUARTERS *Continued*

Socket Terminal Details
Cross Section View Shown Units: in [mm]

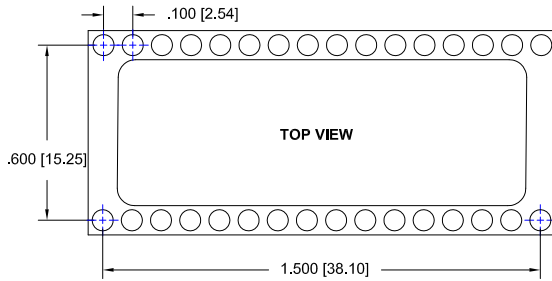


FIG. 11
Thru-Hole: C10-632-32-01-01S-R27-L14
Surface Mount: C10-632-32-01-93S-R27-L14

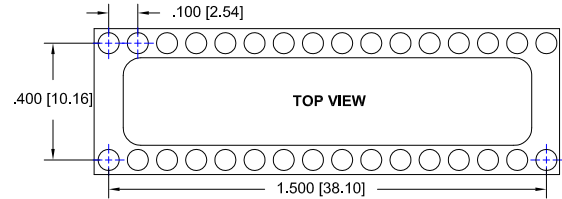


FIG. 12
Thru-Hole: C10-432-32-01-01S-R27-L14
Surface Mount: C10-432-32-01-93S-R27-L14

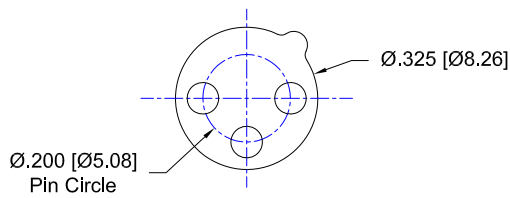


FIG. 13
Thru-Hole: R200-0403-03T-01S-R27-L14
Surface Mount: R200-0403-03T-93S-R27-L14

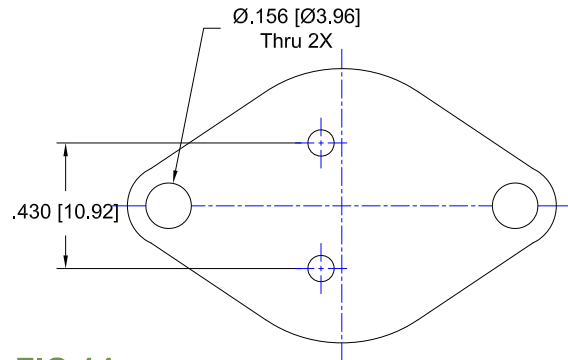
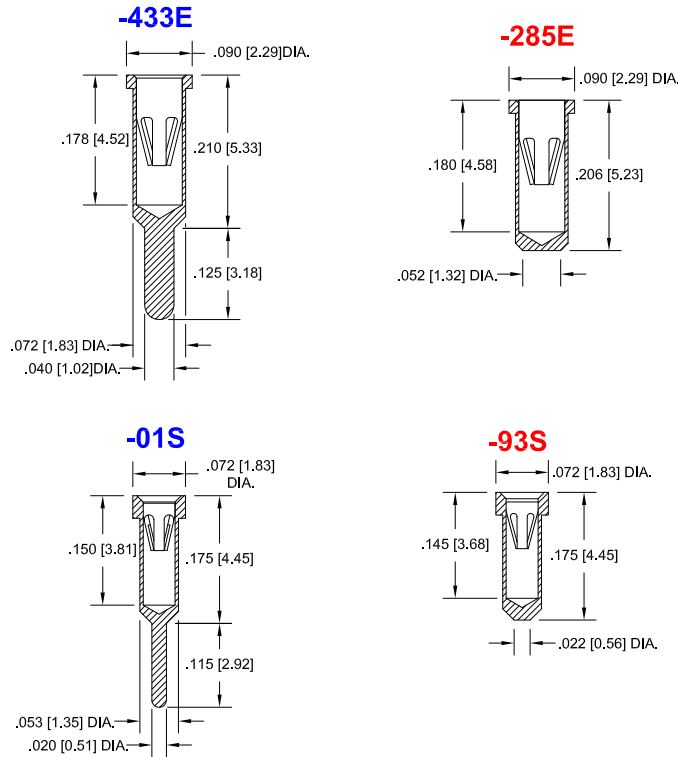


FIG. 14
Thru-Hole: F430-SP02-01-433E-R27-L14
Surface Mount: F430-SP02-01-285E-R27-L14

MICROSEMI CORPORATION CORPORATE HEADQUARTERS *Continued*

Socket Terminal Details
Cross Section View Shown Units: in [mm]



Technical Information

Material:

Insulator: Hi-Temp UL 94V-0
 Terminal: Brass, per ASTM-B16
 Contact: BeCu, Per ASTM-B194

Plating: RoHS COMPLIANT

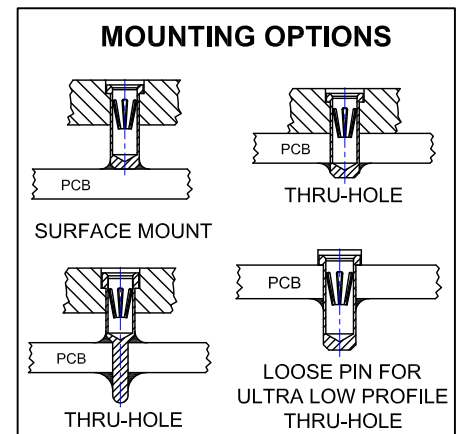
R15 TERMINAL: GOLD / CONTACT: GOLD

R17 TERMINAL: TIN / CONTACT: GOLD

OTHER PLATINGS AVAILABLE

Terminal Acceptance and Forces

Terminal Acceptance and Forces							
Thru Hole Terminals				Surface Mount Terminals			
Thru Hole Terminal	Accepts Pin Diameter	Insertion Force	Withdrawal Force	Surface Mount Terminal	Accepts Pin Diameter	Insertion Force	Withdrawal Force
-433E	Ø.040 [Ø1.02]	36.0 oz Avg.	3.9 oz Min	-285E	Ø.040 [Ø1.02]	36.0 oz Avg.	3.9 oz Min
-01S	Ø.018 [Ø0.46]	9.0 oz Avg.	2.0 oz Min	-93S	Ø.018 [Ø0.46]	9.0 oz Avg.	2.0 oz Min



©Copyright 2015 Andon Electronics Corporation. All Rights Reserved. This material is protected under US and other copyrights and may not be copied, sold, or redistributed in any form without written permission of Andon Electronics Corporation. Copyrights and trademarks are property of their respective companies. We reserve the right to change specifications without notice. Andon makes no warranty, expressed or implied, as to the suitability of the sockets for the intended purpose.

"ANDON PROPRIETARY INFORMATION"
RoHS Compliant

*Sockets are not drawn to scale MICROSEMI CORPORATION CORPORATE HEADQUARTERS 7/2/2015