



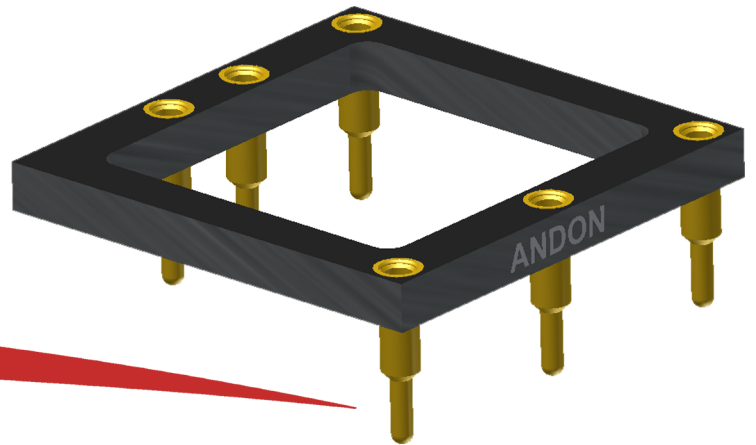
**ANDON**  
INTERCONNECTION SPECIALISTS



RoHS Compliant  
ISO 9001  
Certified

## HIGH RELIABILITY CONVERTER SOCKETS FOR

**MW**  
**MEAN WELL**

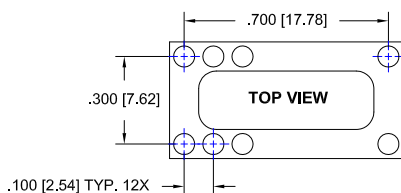


**Featuring Andon's Unique Senstac™ Contact**

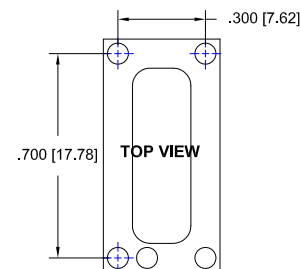
MW is a trade mark of Meanwell Taiwan

MEANWELL TAIWAN						
MEANWELL TAIWAN Model Number	Andon Part Number Replace "XXX" with Terminal Type	Terminal Type		Pin Ø [in]	Figure Number	Page Number
		Thru-Hole	Surface Mount			
SRS	C10-316-08-01-XXX-R27-L14	01S	93S	.018	1	1
SUS01	C10-316-08-01-XXX-R27-L14	01S	93S	.018	1	1
LDD-L	C10-708-05-01-XXX-R27-L14	01S	93S	.018	2	1
LDD-H	C10-624-09-01-XXX-R27-L14	01S	93S	.018	9	3
LDB-L	C10-624-09-01-XXX-R27-L14	01S	93S	.018	9	3
SLW05	C10-818-05-04-XXX-R27-L14	295V	439V	.030	10	3
SKE10	C10-818-05-04-XXX-R27-L14	295V	439V	.030	10	3
SKA15	C10-818-05-04-XXX-R27-L14	295V	439V	.030	10	3
DLW05	C10-818-05-04-XXX-R27-L14	295V	439V	.030	10	3
DKE10	C10-818-05-04-XXX-R27-L14	295V	439V	.030	10	3
DKA15	C10-818-05-04-XXX-R27-L14	295V	439V	.030	10	3
SKM50	C10-1818-06-01-XXX-R27-L14	433E	285E	.040	3	2
SKM30	C10-1818-06-01-XXX-R27-L14	433E	285E	.040	3	2
SCW05	C10-620-08-01-XXX-R27-L14	01S	93S	.018	8	2
DCW05	C10-620-08-01-XXX-R27-L14	01S	93S	.018	8	2
SCW08	C10-620-08-01-XXX-R27-L14	01S	93S	.018	8	2
SCW03	C10-620-08-01-XXX-R27-L14	01S	93S	.018	8	2
DCW08	C10-620-08-01-XXX-R27-L14	01S	93S	.018	8	2
DCW12	C10-620-08-01-XXX-R27-L14	01S	93S	.018	8	2
SCW12	C10-620-08-01-XXX-R27-L14	01S	93S	.018	8	2
SKA60	C10-1822-08-01-XXX-R27-L14	433E	285E	.040	4	2
SKA40	C10-1822-08-01-XXX-R27-L14	433E	285E	.040	4	2
SMA01	C10-308-04-01-XXX-R27-L14	01S	93S	.018	13	3
SKA20	C10-818-06-01-XXX-R27-L14	433E	285E	.040	6	2
SDM30	C10-1826-08-01-XXX-R27-L14	433E	285E	.040	5	2
TKA30	C10-1826-08-01-XXX-R27-L14	433E	285E	.040	5	2
DKA30	C10-1826-08-01-XXX-R27-L14	433E	285E	.040	5	2
DKE15	C10-818-05-04-XXX-R27-L14	295V	439V	.030	10	3
SKE15	C10-818-05-04-XXX-R27-L14	295V	439V	.030	10	3
MHB75	CSP1900-09-01-XXX-R27-L14	507EP72	508EP72	.040/.080	11	3
MHB100	CSP1900-09-01-XXX-R27-L14	507EP72	508EP72	.040/.080	11	3
MHB150	CSP1900-09-01-XXX-R27-L14	507EP72	508EP72	.040/.080	11	3
NSD10-S	C10-818-06-01-XXX-R27-L14	433E	285E	.040	6	2
NSD15-S	C10-1818-06-01-XXX-R27-L14	433E	285E	.040	3	2
NSD15-D	C10-1826-07-01-XXX-R27-L14	433E	285E	.040	12	3
NSD05-S	C10-818-05-05-XXX-R27-L14	433E	285E	.040	7	2
NSD10-D	C10-818-06-01-XXX-R27-L14	433E	285E	.040	6	2

Heat sink socket available to reduce heat and noise. Contact Andon for details.



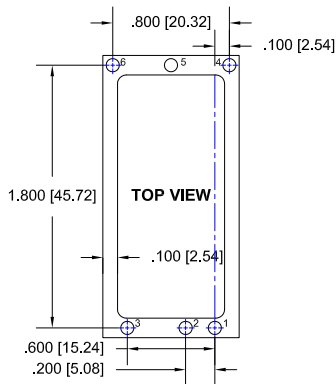
**FIG.1**  
Thru-Hole: C10-316-08-01-01S-R27-L14  
Surface Mount: C10-316-08-01-93S-R27-L14



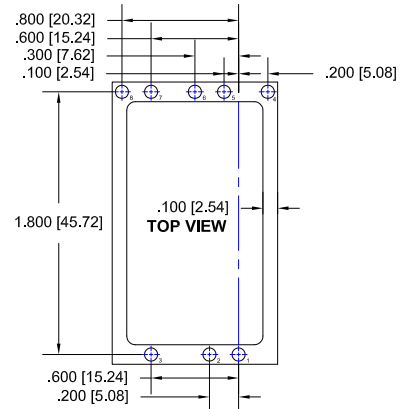
**FIG.2**  
Thru-Hole: C10-708-05-01-01S-R27-L14  
Surface Mount: C10-708-05-01-93S-R27-L14

**MEANWELL TAIWAN** *Continued*

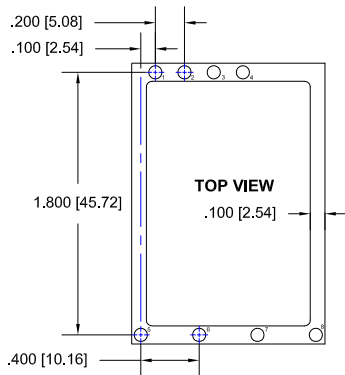
**Socket Terminal Details**  
*Cross Section View Shown Units: in [mm]*



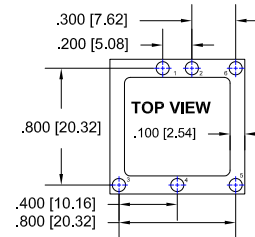
**FIG.3**  
Thru-Hole: C10-1818-06-01-433E-R27-L14  
Surface Mount: C10-1818-06-01-285E-R27-L14



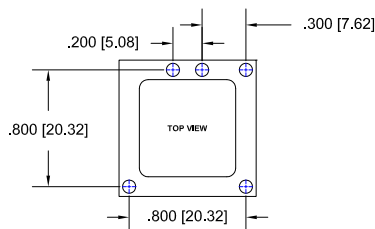
**FIG.4**  
Thru-Hole: C10-1822-08-01-433E-R27-L14  
Surface Mount: C10-1822-08-01-285E-R27-L14



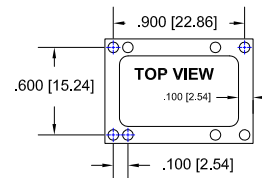
**FIG.5**  
Thru-Hole: C10-1826-08-01-433E-R27-L14  
Surface Mount: C10-1826-08-01-285E-R27-L14



**FIG.6**  
Thru-Hole: C10-818-06-01-433E-R27-L14  
Surface Mount: C10-818-06-01-285E-R27-L14

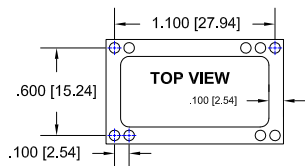


**FIG.7**  
Thru-Hole: C10-818-05-05-433E-R27-L14  
Surface Mount: C10-818-05-05-285E-R27-L14



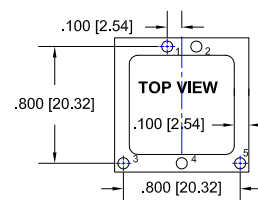
**FIG.8**  
Thru-Hole: C10-620-08-01-01S-R27-L14  
Surface Mount: C10-620-08-01-93S-R27-L14

**MEANWELL TAIWAN** *Continued*  
**Socket Terminal Details**  
*Cross Section View Shown Units: in [mm]*



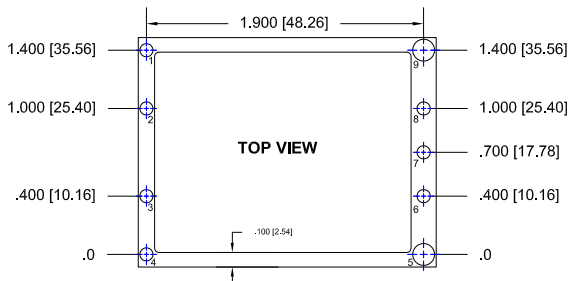
**FIG.9**

**Thru-Hole:** C10-624-09-01-01S-R27-L14  
**Surface Mount:** C10-624-09-01-93S-R27-L14



**FIG.10**

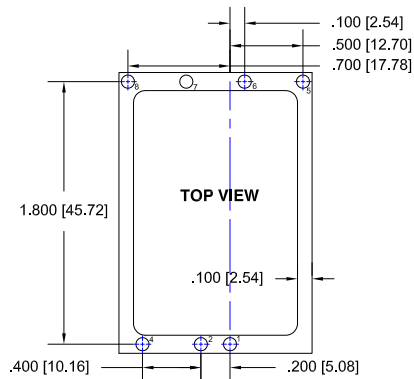
**Thru-Hole:** C10-818-05-04-295V-R27-L14  
**Surface Mount:** C10-818-05-04-439V-R27-L14



Pins 1-4, 6-8 are  $\varnothing.040$  [ $\varnothing1.02$ ]  
Pins 5 and 9 are  $\varnothing.080$  [ $\varnothing2.03$ ]

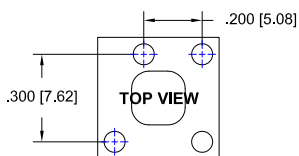
**FIG.11**

**Thru-Hole:** CSP1900-09-01-507EP72-R27-L14  
**Surface Mount:** CSP1900-09-01-508EP72-R27-L14



**FIG.12**

**Thru-Hole:** C10-1826-07-01-433E-R27-L14  
**Surface Mount:** C10-1826-07-01-285E-R27-L14



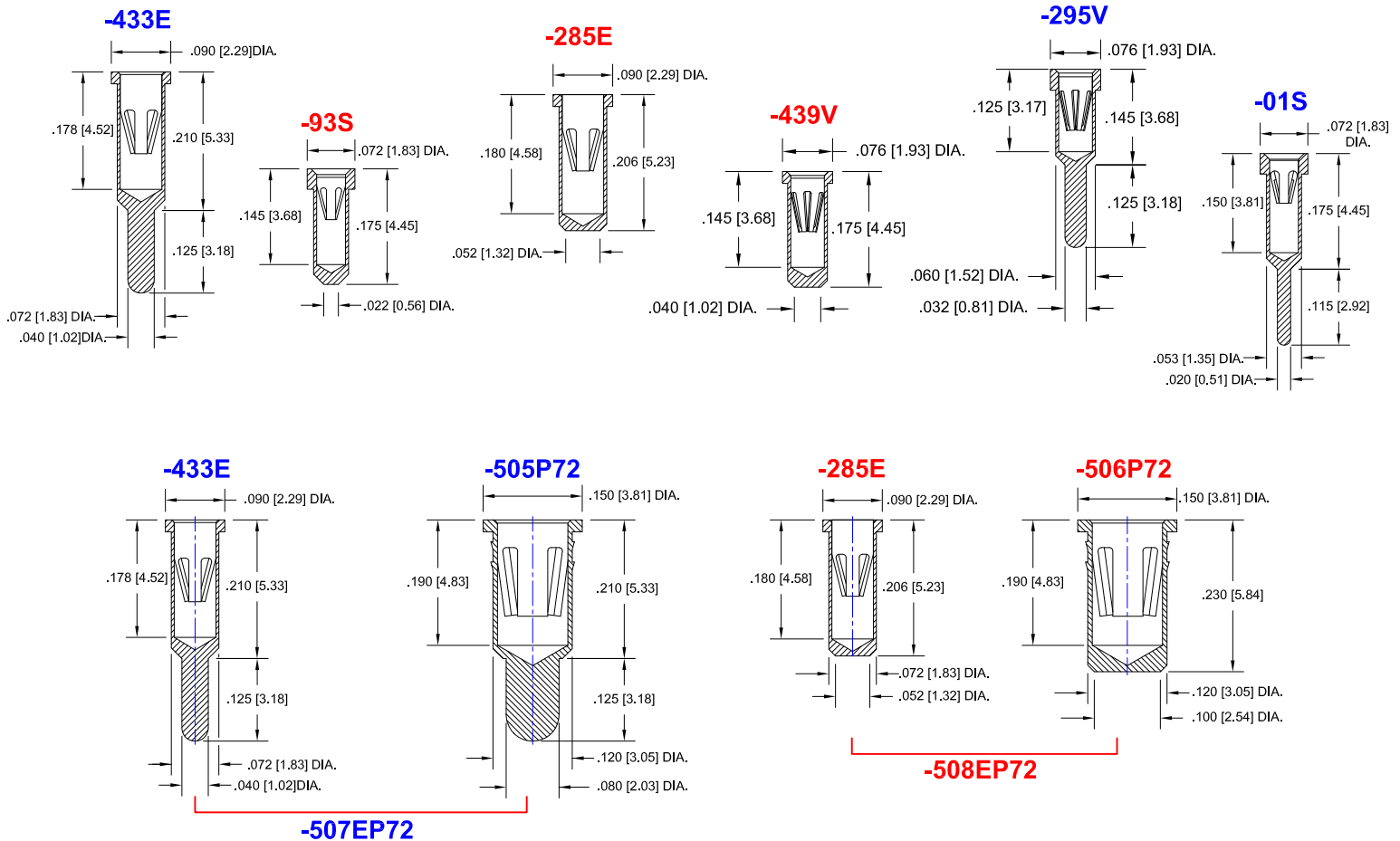
**FIG.13**

**Thru-Hole:** C10-308-04-01-01S-R27-L14  
**Surface Mount:** C10-308-04-01-93S-R27-L14

## MEANWELL TAIWAN *Continued*

### Socket Terminal Details

*Cross Section View Shown Units: in [mm]*



## Technical Information

### Material:

Insulator: Hi-Temp UL 94V-O  
Terminal: Brass, per ASTM-B16  
Contact: BeCu, Per ASTM-B194

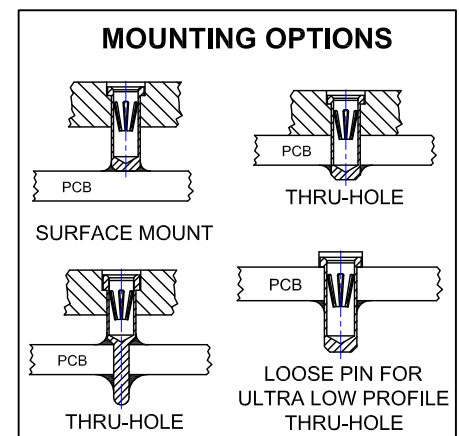
### Plating: RoHS COMPLIANT

**R15 TERMINAL: GOLD / CONTACT: GOLD**

**R17 TERMINAL: TIN / CONTACT: GOLD**

**OTHER PLATINGS AVAILABLE**

Terminal Acceptance and Forces							
Thru Hole Terminals				Surface Mount Terminals			
Thru Hole Terminal	Accepts Pin Diameter	Insertion Force	Withdrawal Force	Surface Mount Terminal	Accepts Pin Diameter	Insertion Force	Withdrawal Force
-433E	Ø.040 [Ø1.02]	36.0 oz Avg.	3.9 oz Min	-285E	Ø.040 [Ø1.02]	36.0 oz Avg.	3.9 oz Min
-01S	Ø.018 [Ø0.46]	9.0 oz Avg.	2.0 oz Min	-93S	Ø.018 [Ø0.46]	9.0 oz Avg.	2.0 oz Min
-295V	Ø.030 [Ø0.76]	13.2 oz Avg.	3.5 oz Min	-439V	Ø.030 [Ø0.76]	13.2 oz Avg.	3.5 oz Min
-505P72	Ø.080 [Ø2.03]	48 oz Avg.	8.0 oz Min	-506P72	Ø.080 [Ø2.03]	48 oz Avg.	8.0 oz Min



©Copyright 2015 Andon Electronics Corporation. All Rights Reserved. This material is protected under US and other copyrights and may not be copied, sold, or redistributed in any form without written permission of Andon Electronics Corporation. Copyrights and trademarks are property of their respective companies. We reserve the right to change specifications without notice. Andon makes no warranty, expressed or implied, as to the suitability of the sockets for the intended purpose.

**"ANDON PROPRIETARY INFORMATION"**  
**RoHS Compliant**

\*Sockets are not drawn to scale MEANWELL TAIWAN 7/23/2015