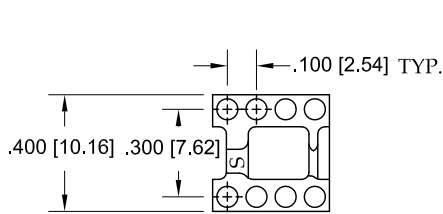


EON SILICON SOLUTIONS INC.						
EON SILICON SOLUTIONS INC. Model Number	Andon Part Number Replace "XXX" with Terminal Type	Terminal Type		Pin Ø [in]	Figure Number	Page Number
		Thru-Hole	Surface Mount			
EN25QH32A	101-308-XXX-R29-S12	01S	93S	.018	1	2
EN25QH64	101-308-XXX-R29-S12	01S	93S	.018	1	2
EN25LF40	101-308-XXX-R29-S12	01S	93S	.018	1	2
EN25QH128A	101-308-XXX-R29-S12	01S	93S	.018	1	2
EN25QH32A	101-308-XXX-R29-S12	01S	93S	.018	1	2
EN25Q32C	101-308-XXX-R29-S12	01S	93S	.018	1	2
EN25QH16A	101-308-XXX-R29-S12	01S	93S	.018	1	2
EN29LV040A (SURFACE MOUNT)	710-32-SM-T1	-	-	-	8	3
EN25Q16A	101-308-XXX-R29-S12	01S	93S	.018	1	2
EN25T16A	101-308-XXX-R29-S12	01S	93S	.018	1	2
EN25QH16	101-308-XXX-R29-S12	01S	93S	.018	1	2
EN25Q80B	101-308-XXX-R29-S12	01S	93S	.018	1	2
EN25F80	101-308-XXX-R29-S12	01S	93S	.018	1	2
EN25Q40A	101-308-XXX-R29-S12	01S	93S	.018	1	2
EN29LV040A	101-632-XXX-R29-S12	01S	93S	.018	2	2
EN25QH32	12-06-01-24-XXX-R27-L14	437T	329T	.010	3	2
EN25Q32B	12-06-01-24-XXX-R27-L14	437T	329T	.010	3	2
EN25QH16	12-06-01-24-XXX-R27-L14	437T	329T	.010	3	2
EN25Q80B	12-06-01-24-XXX-R27-L14	437T	329T	.010	3	2
EN25S16	12-06-01-24-XXX-R27-L14	437T	329T	.010	3	2
EN25S32	12-06-01-24-XXX-R27-L14	437T	329T	.010	3	2
EN25Q64	12-06-01-24-XXX-R27-L14	437T	329T	.010	3	2
EN25QH64	12-06-01-24-XXX-R27-L14	437T	329T	.010	3	2
EN25QH128A	12-06-01-24-XXX-R27-L14	437T	329T	.010	3	2
EN25QH256	12-06-01-24-XXX-R27-L14	437T	329T	.010	3	2
EN25Q128	12-06-01-24-XXX-R27-L14	437T	329T	.010	3	2
EN29GL128H/L	17-08-02-48-XXX-R27-L14	437T	329T	.010	4	2
EN29GL064	17-08-02-48-XXX-R27-L14	437T	329T	.010	4	2
EN29GL256H/L	17-08-02-48-XXX-R27-L14	437T	329T	.010	4	2
EN29LV320C	17-08-01-48-XXX-R27-L14	437T	329T	.010	5	2
EN39SL160AH/L	17-08-01-48-XXX-R27-L14	437T	329T	.010	5	2
EN29LV160C	17-08-01-48-XXX-R27-L14	437T	329T	.010	5	2
EN29LV160B	17-08-01-48-XXX-R27-L14	437T	329T	.010	5	2
EN39SL801	17-08-01-48-XXX-R27-L14	437T	329T	.010	5	2
EN29GL064AT/B	17-08-01-48-XXX-R27-L14	437T	329T	.010	5	2
EN29LV640A	17-08-01-48-XXX-R27-L14	437T	329T	.010	5	2
EN39SL800	17-08-01-48-XXX-R27-L14	437T	329T	.010	5	2
EN29LV800C	17-08-01-48-XXX-R27-L14	437T	329T	.010	5	2
EN29LV400A	17-08-01-48-XXX-R27-L14	437T	329T	.010	5	2
EN27LN1G08	17-12-02-63-XXX-R27-L14	437T	329T	.010	6	2
EN27SN1G08	17-12-02-63-XXX-R27-L14	437T	329T	.010	6	2
EN27LN1G08	17-12-02-63-XXX-R27-L14	437T	329T	.010	6	2
EN27LN2G08	17-12-02-63-XXX-R27-L14	437T	329T	.010	6	2
EN71SN10E	17-14-05-107-XXX-R27-L14	437T	329T	.010	7	3
EN39LV010 (THRU-HOLE)	700-32-TH-T	-	-	-	8	3
EN39LV010 (SURFACE MOUNT)	710-32-SM-T1	-	-	-	8	3
EN29LV040A (THRU-HOLE)	700-32-TH-T	-	-	-	8	3

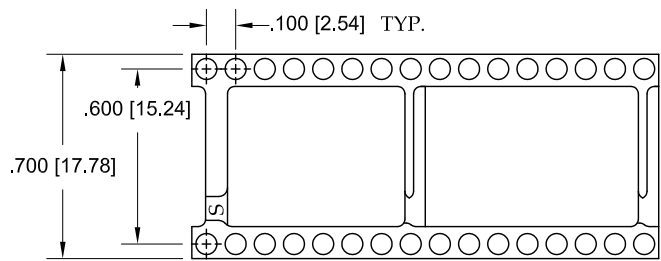
Heat sink sockets available to reduce heat and noise. Contact Andon for details.

**EON SILICON SOLUTIONS INC. Continued**

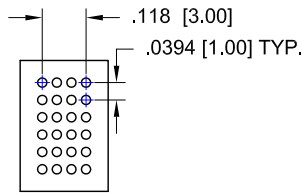
**Socket Terminal Details**  
Cross Section View Shown Units: in [mm]



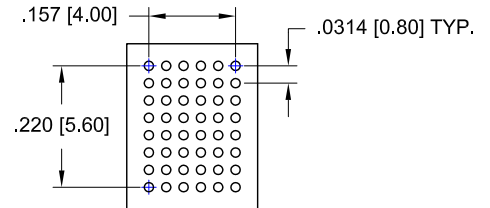
**FIG: 1**  
Thru-Hole: 101-308-01S-R29-S12  
Surface Mount: 101-308-93S-R29-S12



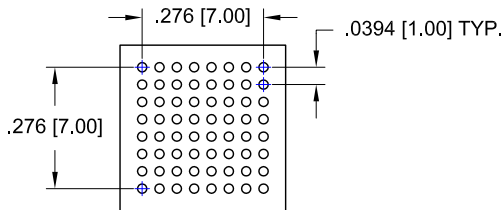
**FIG: 2**  
Thru-Hole: 101-632-01S-R29-S12  
Surface Mount: 101-632-93S-R29-S12



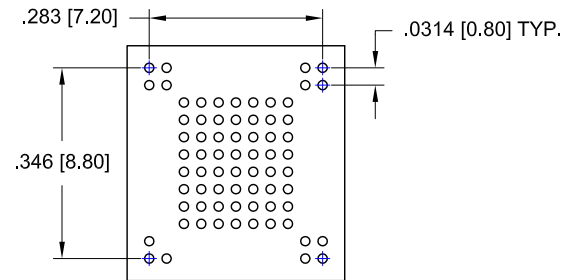
**FIG: 3**  
Thru-Hole: 12-06-01-24-437T-R29-S12  
Surface Mount: 12-06-01-24-329T-R29-S12



**FIG: 4**  
Thru-Hole: 12-08-01-64-437T-G10-L14  
Surface Mount: 12-08-01-64-329T-G10-L14



**FIG: 5**  
Thru-Hole: 17-08-01-48-437T-G10-L14  
Surface Mount: 17-08-01-48-329T-G10-L14



**FIG: 6**  
Thru-Hole: 17-12-02-63-437T-G10-L14  
Surface Mount: 17-12-02-63-329T-G10-L14

**EON SILICON SOLUTIONS INC. Continued**

**Socket Terminal Details**  
Cross Section View Shown Units: in [mm]

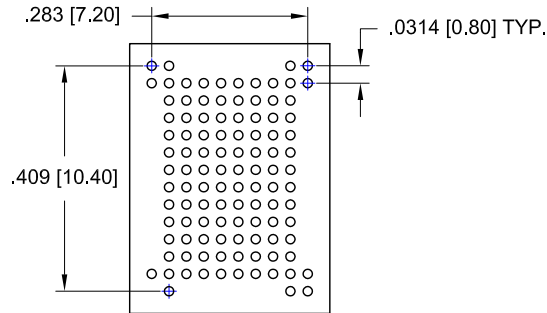


FIG: 7

Thru-Hole: 17-14-05-107-437T-G10-L14

Surface Mount: 17-14-05-107-329T-G10-L14

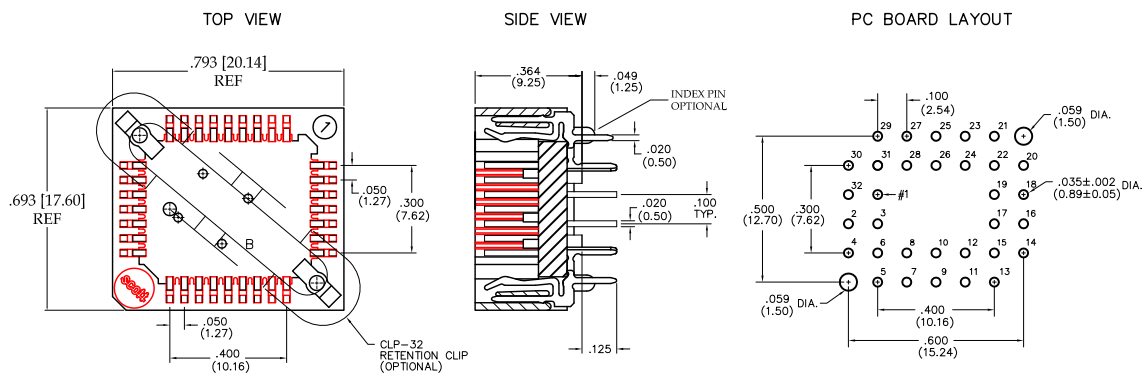


FIG: 8

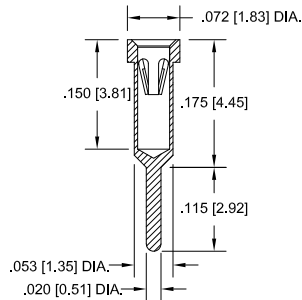
Thru-Hole: 700-32-TH-T

Surface Mount: 710-32-SM-T

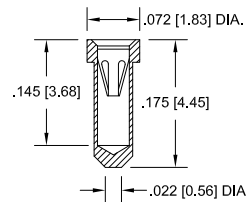
## EON SILICON SOLUTIONS INC. *Continued*

### Socket Terminal Details Cross Section View Shown Units: in [mm]

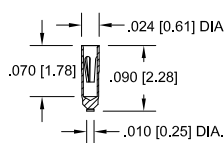
**-01S**



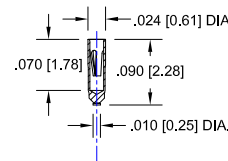
**-93S**



**329T**



**-437T**



## Technical Information

**Material:**

Insulator: Hi-Temp UL 94V-O  
Terminal: Brass, per ASTM-B16  
Contact: BeCu, Per ASTM-B194

**Plating: RoHS COMPLIANT**

**R15 TERMINAL: GOLD / CONTACT: GOLD**

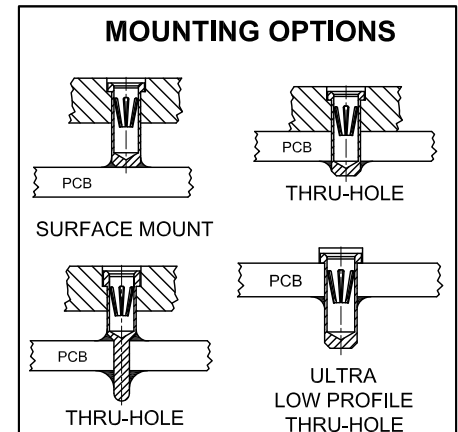
**R17 TERMINAL: TIN / CONTACT: GOLD**

**OTHER PLATINGS AVAILABLE**

**Terminal Acceptance and Forces**

Thru Hole Terminals				Surface Mount Terminals			
Thru Hole Terminal	Accepts Pin Diameter	Insertion Force	Withdrawal Force	Surface Mount Terminal	Accepts Pin Diameter	Insertion Force	Withdrawal Force
-437T	Ø.010 [Ø0.25]	1.0 oz Avg.	0.30 oz Min	-329T	Ø.010 [Ø0.25]	1.0 oz Avg.	0.30 oz Min
-01S	Ø.018 [Ø0.46]	9.0 oz Avg.	2.0 oz Min	-93S	Ø.018 [Ø0.46]	9.0 oz Avg.	2.0 oz Min

**MOUNTING OPTIONS**



©Copyright 2015 Andon Electronics Corporation. All Rights Reserved. This material is protected under US and other copyrights and may not be copied, sold, or redistributed in any form without written permission of Andon Electronics Corporation. Copyrights and trademarks are property of their respective companies. We reserve the right to change specifications without notice. Andon makes no warranty, expressed or implied, as to the suitability of the sockets for the intended purpose.

**"ANDON PROPRIETARY INFORMATION"**  
**RoHS Compliant**

\*Sockets are not drawn to scale EON SILICON SOLUTIONS INC. 4/21/2015