

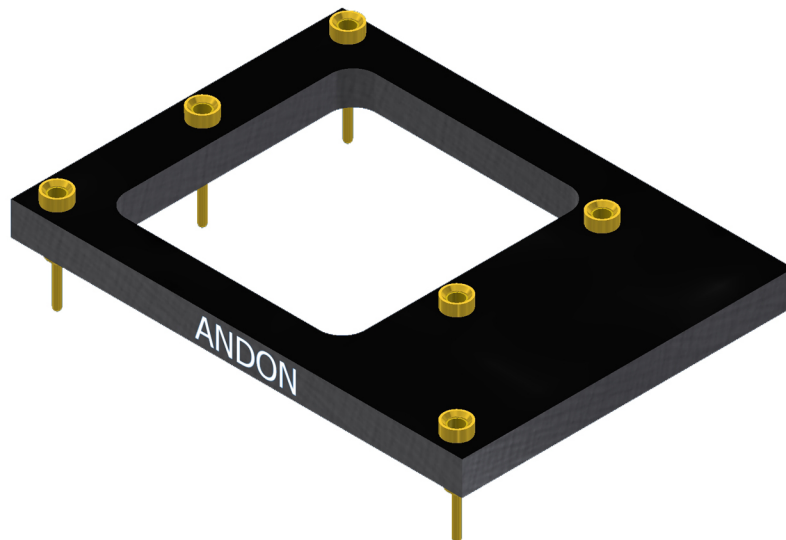


RoHS Compliant
ISO 9001
Certified

POWER CONVERTER SOCKETS FOR ENDICOTT RESEARCH GROUP



Endicott Research Group, Inc.



***Largest Line of High Reliability Power Converter Sockets
with Hi-Rel Contacts***

www.andonelect.com or www.andonelectronics.com

ENDICOTT RESEARCH GROUP, INC.						
Model Number	Andon Part Number Replace "XXX" with Terminal Type	Terminal Type		Pin Ø [in]	Figure Number	Page Number
		Thru-Hole	Surface Mount			
R SERIES	CSP4400-19-01-XXX-R27-L14	295V	439V	.030	1	1
P44W SERIES	CSP2300-06-01-XXX-R27-L14	295V	439V	.030	2	2
P44 SERIES	CSP2300-06-01-XXX-R27-L14	295V	439V	.030	2	2
SE SERIES	CSP2630-06-01-XXX-R27-L14	295V	439V	.030	3	2
SE2 SERIES	CSP2630-06-01-XXX-R27-L14	295V	439V	.030	3	2
STANDARD PACKAGE	CSP500-03-01-XXX-R27-L14	01P26	93P26	.026	5	2
P PACKAGE	CSP510-03-01-XXX-R27-L14	01P26	93P26	.026	5	2
H PACKAGE	CSP620-04-01-XXX-R27-L14	01P26	93P26	.026	4	2
E200II SERIES	CSP1100-06-02-XXX-R27-L14	01P26	93P26	.026	6	2

See last page for other mounting types including low profile options.
Heat sink socket available to reduce heat and noise. Contact Andon for details.

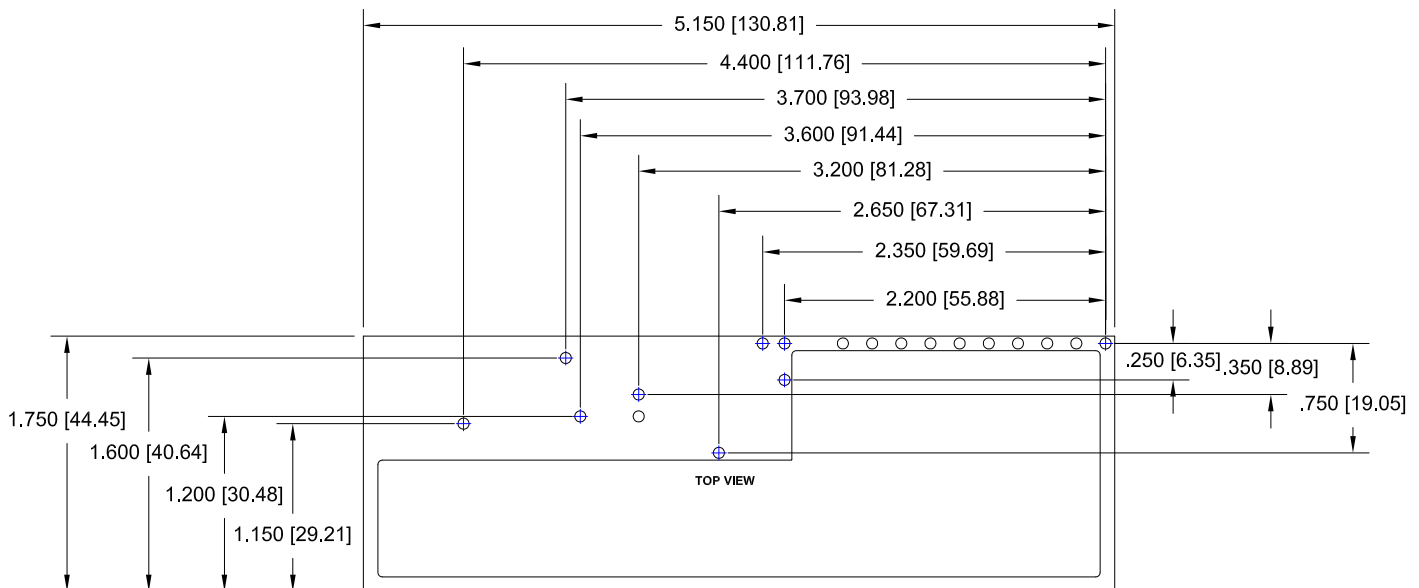


FIG. 1
Thru-Hole: CSP4400-19-01-295V-R27-L14
Surface Mount: CSP4400-19-01-439V-R27-L14

ENDICOTT RESEARCH GROUP *Continued*

Top View Shown

Units: in [mm]

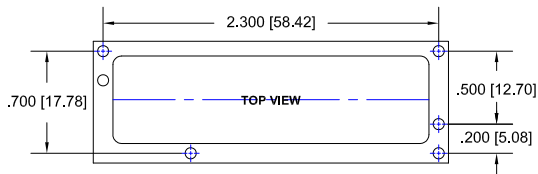


FIG. 2

Thru-Hole: CSP2300-06-01-295V-R27-L14
Surface Mount: CSP2300-06-01-439V-R27-L14

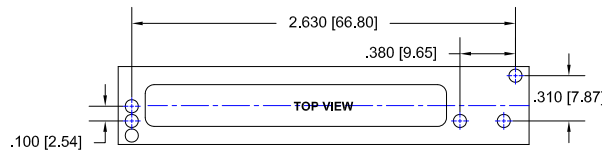


FIG. 3

Thru-Hole: CSP2630-06-01-295V-R27-L14
Surface Mount: CSP2630-06-01-439V-R27-L14

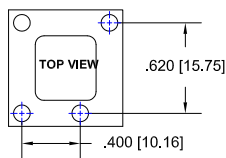


FIG. 4

Thru-Hole: CSP620-04-01-01P26-R27-L14
Surface Mount: CSP620-04-01-93P26-R27-L14

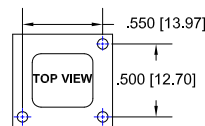


FIG. 5

Thru-Hole: CSP500-03-01-01P26-R27-L14
Surface Mount: CSP500-03-01-93P26-R27-L14

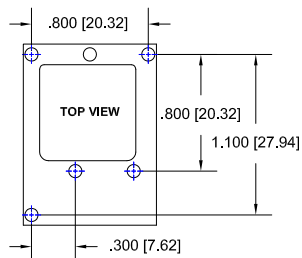


FIG. 6

Thru-Hole: CSP1100-06-02-01P26-R27-L14
Surface Mount: CSP1100-06-02-93P26-R27-L14

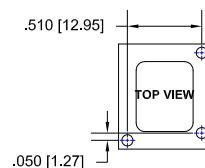


FIG. 7

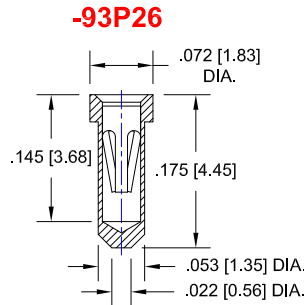
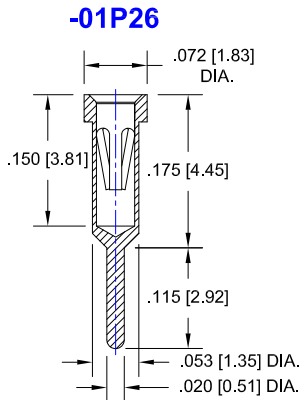
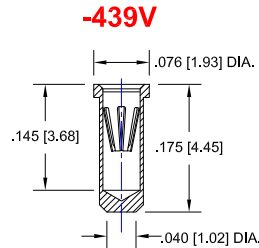
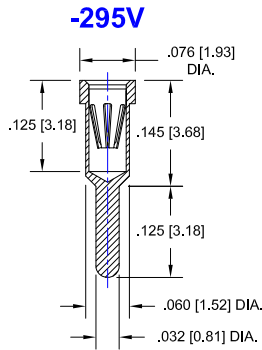
Thru-Hole: CSP510-03-01-01P26-R27-L14
Surface Mount: CSP510-03-01-93P26-R27-L14

ENDICOTT RESEARCH GROUP *Continued*

Socket Terminal Details

Cross Section View Shown

Units: in [mm]

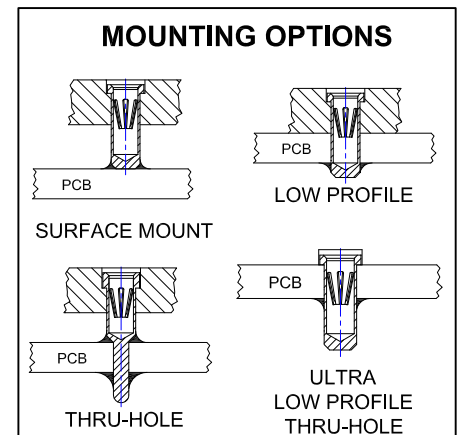


Material:

Insulator: Hi-Temp UL 94V-O
Terminal: Brass, per ASTM-B16
Contact: BeCu, Per ASTM-B194

Plating: RoHS COMPLIANT
R27 TERMINAL: GOLD / CONTACT: GOLD
R29 TERMINAL: TIN / CONTACT: GOLD
OTHER PLATINGS AVAILABLE

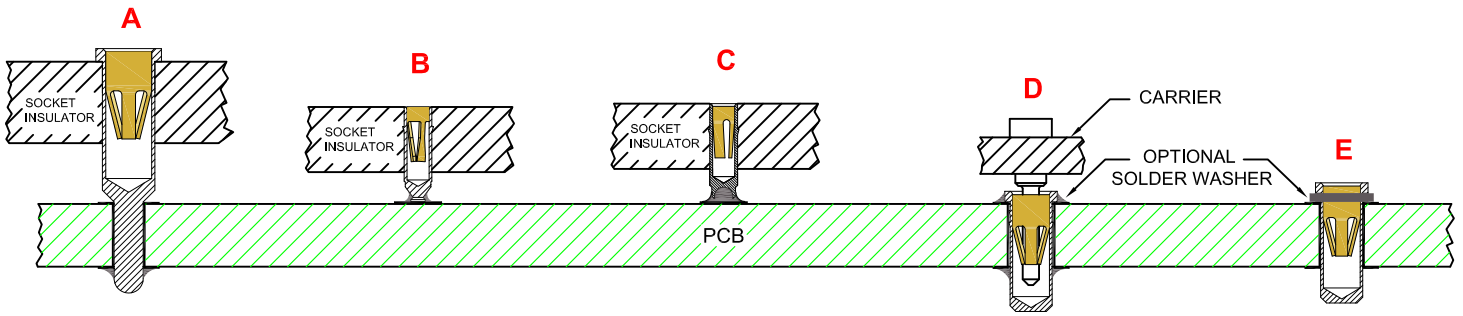
Terminal Acceptance and Forces							
Thru Hole Terminals				Surface Mount Terminals			
Thru Hole Terminal	Accepts Pin Diameter	Insertion Force	Withdrawal Force	Surface Mount Terminal	Accepts Pin Diameter	Insertion Force	Withdrawal Force
-295V	Ø.030 [Ø0.76]	13.2 oz Max	3.5 oz Min	-439V	Ø.030 [Ø0.76]	13.2 oz Max	3.5 oz Min
-01P26	Ø.026 [Ø0.66]	13.5 oz Max	5.6 oz Min	-93P26	Ø.026 [Ø0.66]	13.5 oz Max	5.6 oz Min



©Copyright 2016 Andon Electronics Corporation. All Rights Reserved. This material is protected under US and other copyrights and may not be copied, sold, or redistributed in any form without written permission of Andon Electronics Corporation. Copyrights and trademarks are property of their respective companies. We reserve the right to change specifications without notice. Andon makes no warranty, expressed or implied, as to the suitability of the sockets for the intended purpose.

"ANDON PROPRIETARY INFORMATION"
RoHS Compliant

*Sockets are not drawn to scale ENDICOTT RESEARCH GROUP 9/12/2016



THRU-HOLE SOCKET

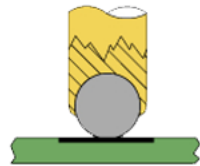
SMD-SOCKET

SMD ROLLERBALL[®] SOCKET (PATENTED)

REMOVABLE CARRIER WITH ULTRA-LOW PROFILE PIN SOCKETS

INDIVIDUAL ULTRA-LOW PROFILE PIN SOCKETS (BEFORE SOLDERING)

ROLLERBALL[®] SOCKET



BEFORE SOLDERING

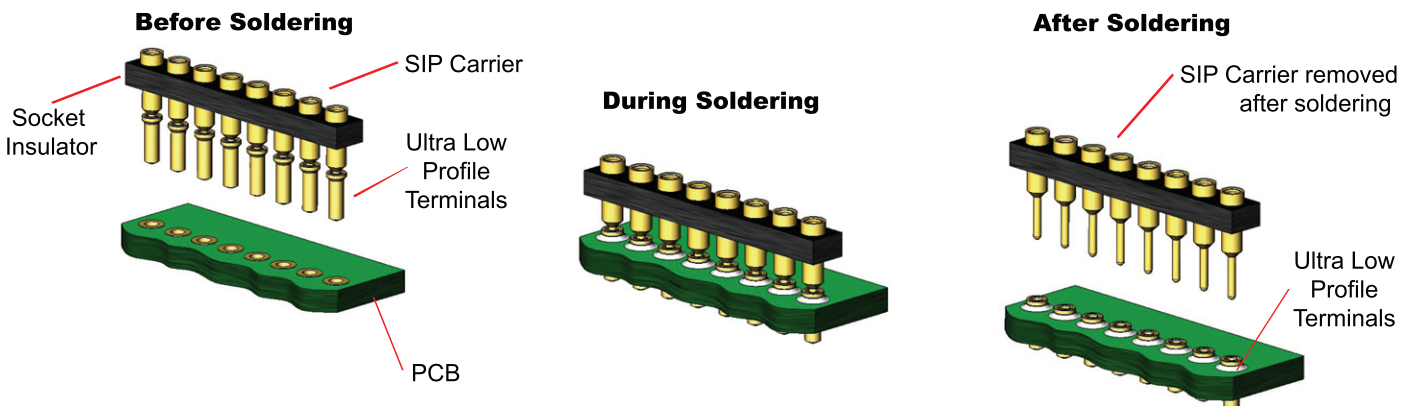
ROLLERBALL[®] SOCKET



AFTER SOLDERING

A more reliable solder joint for surface mount applications !

ULTRA LOW PROFILE SIP/DIP/PGA CARRIER ASSEMBLY See 'D' above



Available with or without solder washer