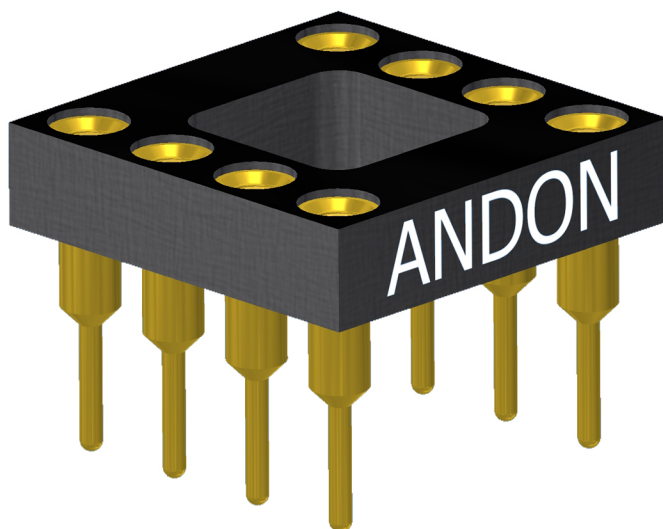




RoHS Compliant
ISO 9001
Certified

POWER CONVERTER SOCKETS FOR ALLEGRO MICROSYSTEMS LLC



***Largest Line of High Reliability Power Converter Sockets
with Hi-Rel Contacts***

www.andonelect.com or www.andonelectronics.com

ALLEGRO MICROSYSTEMS LLC						
Model Number	Andon Part Number Replace "XXX" with Terminal Type	Terminal Type		Pin Ø [in]	Figure Number	Page Number
		Thru-Hole	Surface Mount			
DEIGNATOR: A	C10-314-14-01-XXX-R27-L14	01S	93S	.018	1	1
DESIGNATOR: CA AND CB	C075-03-03-01-XXX-R27-L14	75P28	265P28	.028	2	2
DESIGNATOR: EA	710-28-SM-T1	-	-	-	6	2
DESIGNATOR: SA	C050-004-04-01-XXX-R27-L14	274K	281K	.018	4	1
DESIGNATOR: SB	C050-004-04-01-XXX-R27-L14	274K	281K	.018	4	1
SI-8100QL SERIES	C10-308-08-01-XXX-R27-L14	01S	93S	.018	3	1
STA801M	C10-10-10-01-XXX-R27-L14	295V	439V	.030	5	1

See last page for other mounting types including low profile options.
Heat sink socket available to reduce heat and noise. Contact Andon for details.

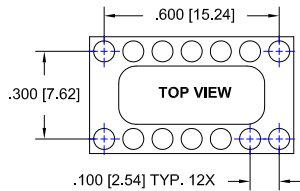


FIG. 1

Thru-Hole: C10-314-14-01-01S-R27-L14
Surface Mount: C10-314-14-01-93S-R27-L14

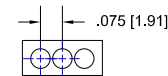


FIG. 2

Thru-Hole: C075-03-03-01-75P28-R27-L14
Surface Mount: C075-03-03-01-265P28-R27-L14

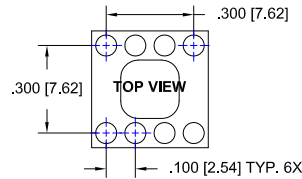


FIG. 3

Thru-Hole: C10-308-08-01-01S-R27-L14
Surface Mount: C10-308-08-01-93S-R27-L14

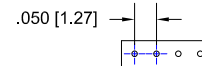


FIG. 4

Thru-Hole: C050-004-04-01-274K-R27-L14
Surface Mount: C050-004-04-01-281K-R27-L14

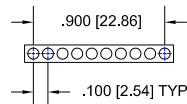


FIG. 5

Thru-Hole: C10-10-10-01-295V-R27-L14
Surface Mount: C10-10-10-01-439V-R27-L14

ALLEGRO MICROSYSTEMS LLC Continued

Top View Shown

Units: in [mm]

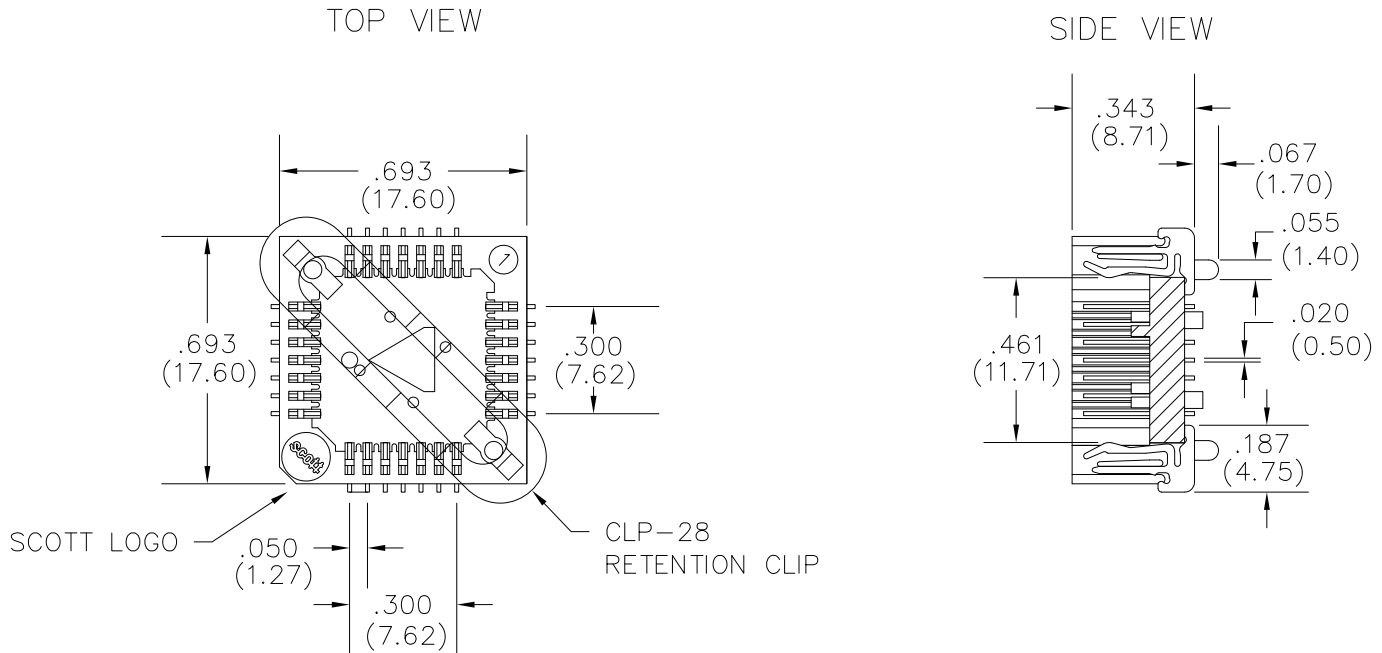


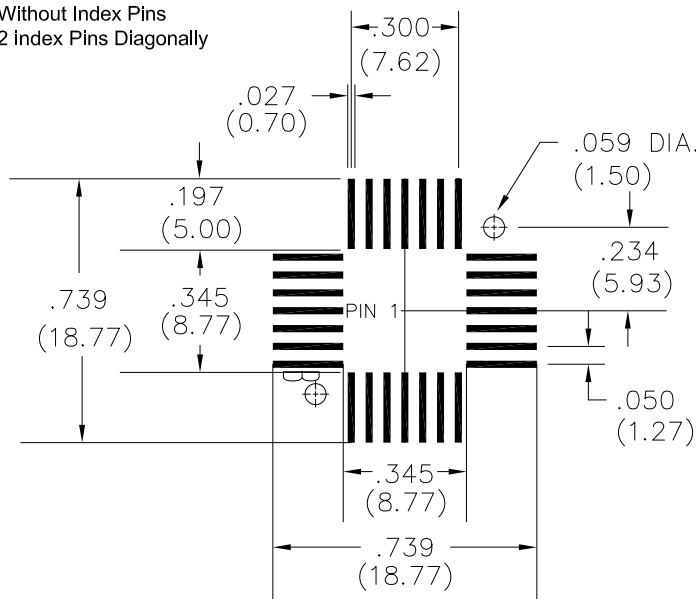
FIG. 6

710-28-SM-T1

Contact Plating = Tin

- SM = Without Index Pins
- SM3 = 2 index Pins Diagonally

PC BOARD LAYOUT



©Copyright 2016 Andon Electronics Corporation. All Rights Reserved. This material is protected under US and other copyrights and may not be copied, sold, or redistributed in any form without written permission of Andon Electronics Corporation. Copyrights and trademarks are property of their respective companies. We reserve the right to change specifications without notice. Andon makes no warranty, expressed or implied, as to the suitability of the sockets for the intended purpose.

"ANDON PROPRIETARY INFORMATION"
RoHS Compliant

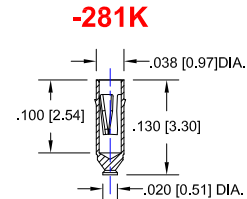
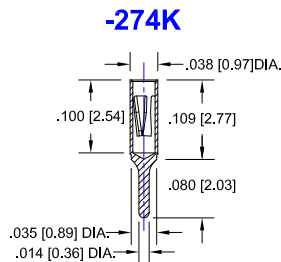
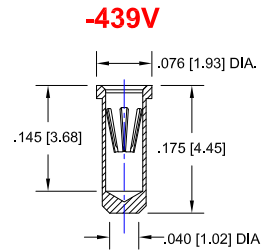
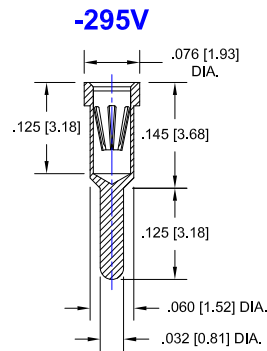
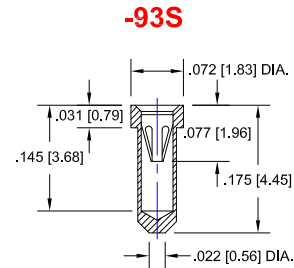
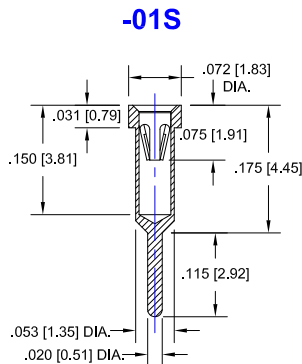
*Sockets are not drawn to scale ALLEGRO MICROSYSTEMS LLC 9/15/2016

ALLEGRO MICROSYSTEMS LLC *Continued*

Socket Terminal Details

Cross Section View Shown

Units: in [mm]

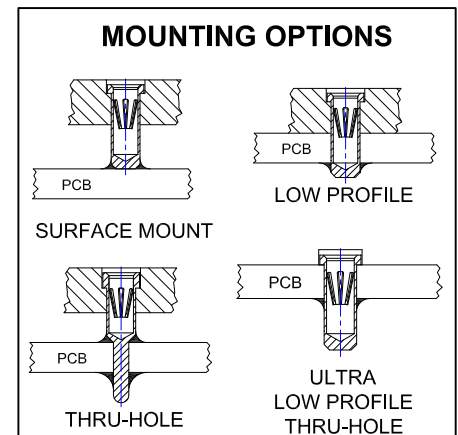


Material:

Insulator: Hi-Temp UL 94V-0
Terminal: Brass, per ASTM-B16
Contact: BeCu, Per ASTM-B194

Plating: RoHS COMPLIANT
R27 TERMINAL: GOLD / CONTACT: GOLD
R29 TERMINAL: TIN / CONTACT: GOLD
OTHER PLATINGS AVAILABLE

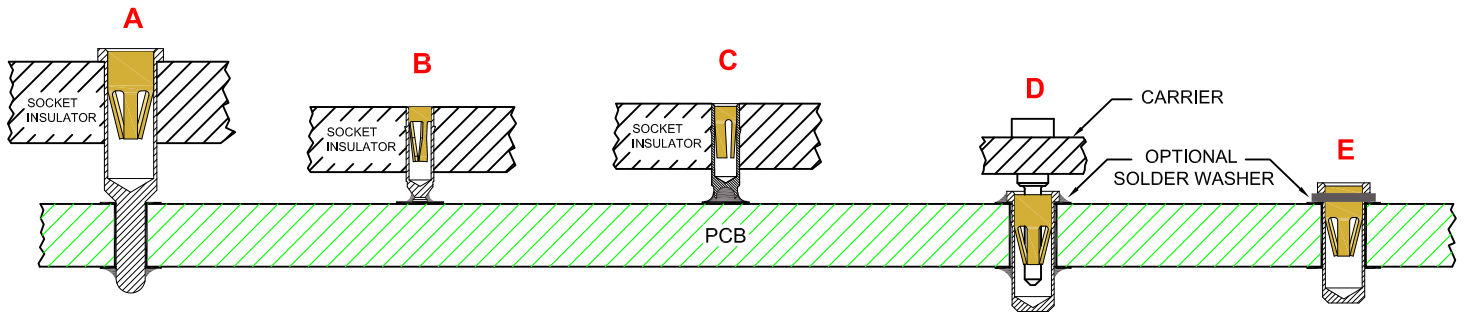
Terminal Acceptance and Forces							
Thru Hole Terminals				Surface Mount Terminals			
Thru Hole Terminal	Accepts Pin Diameter	Insertion Force	Withdrawal Force	Surface Mount Terminal	Accepts Pin Diameter	Insertion Force	Withdrawal Force
-295V	Ø.030 [Ø0.76]	13.2 oz Max	3.5 oz Min	-439V	Ø.030 [Ø0.76]	13.2 oz Max	3.5 oz Min
-01S	Ø.018 [Ø0.46]	9.0 oz Max	2.0 oz Min	-93S	Ø.018 [Ø0.46]	9.0 oz Max	2.0 oz Min
-274K	Ø.018 [Ø0.46]	1.0 oz Max	0.5 oz Min	-281K	Ø.018 [Ø0.46]	1.0 oz Max	0.5 oz Min
-75P28	Ø.028 [Ø0.71]	7.0 oz Max	.35 oz Min	-265P28	Ø.028 [Ø0.71]	7.0 oz Max	.35 oz Min



©Copyright 2016 Andon Electronics Corporation. All Rights Reserved. This material is protected under US and other copyrights and may not be copied, sold, or redistributed in any form without written permission of Andon Electronics Corporation. Copyrights and trademarks are property of their respective companies. We reserve the right to change specifications without notice. Andon makes no warranty, expressed or implied, as to the suitability of the sockets for the intended purpose.

"ANDON PROPRIETARY INFORMATION"
RoHS Compliant

*Sockets are not drawn to scale ALLEGRO MICROSYSTEMS LLC 9/15/2016



THRU-HOLE SOCKET

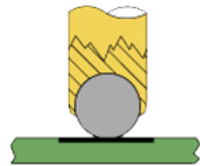
SMD-SOCKET

SMD ROLLERBALL[®] SOCKET (PATENTED)

REMOVABLE CARRIER WITH ULTRA-LOW PROFILE PIN SOCKETS

INDIVIDUAL ULTRA-LOW PROFILE PIN SOCKETS (BEFORE SOLDERING)

ROLLERBALL[®] SOCKET



BEFORE SOLDERING

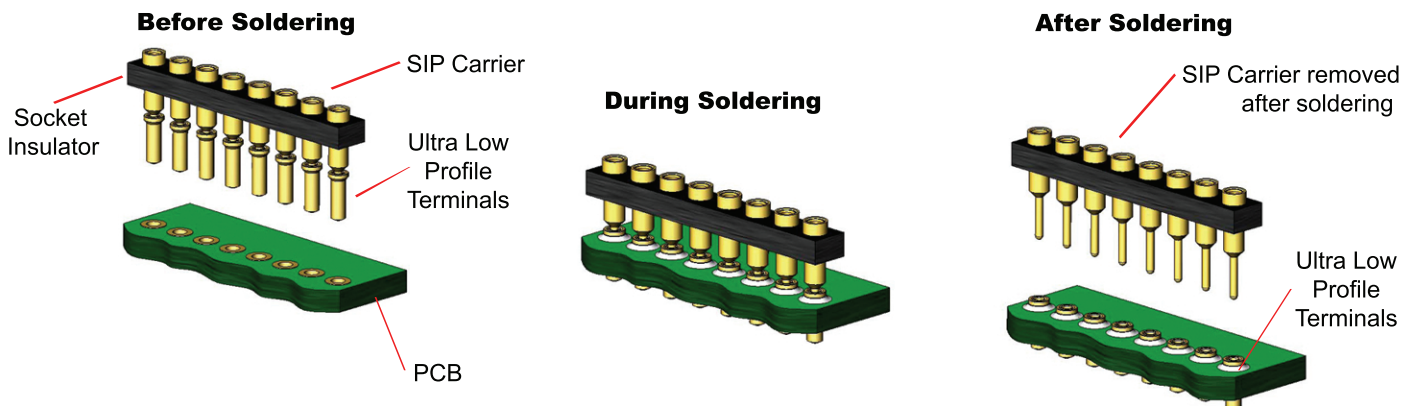
ROLLERBALL[®] SOCKET



AFTER SOLDERING

A more reliable solder joint for surface mount applications !

ULTRA LOW PROFILE SIP/DIP/PGA CARRIER ASSEMBLY See 'D' above



Available with or without solder washer