

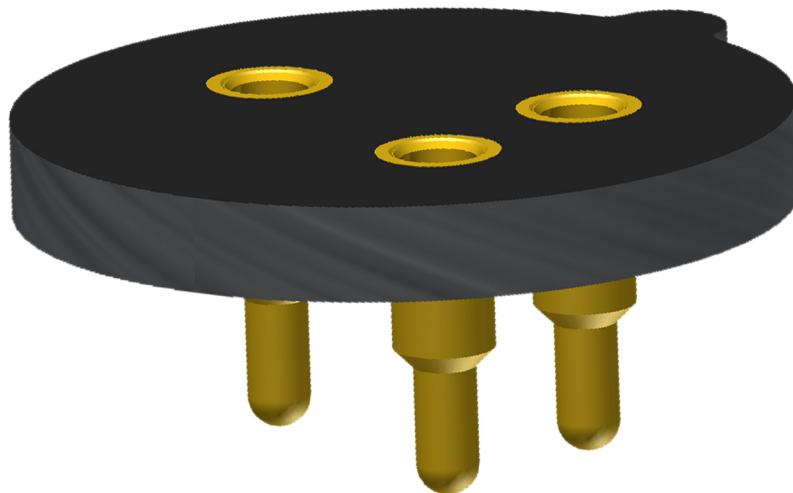
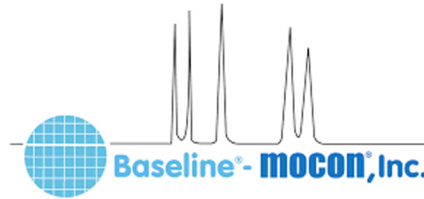


ANDON
INTERCONNECTION SPECIALISTS



RoHS Compliant
ISO 9001
Certified

HIGH RELIABILITY OPTOELECTRONIC SOCKETS FOR



Featuring Andon's Unique Senstac™ Contact

BASELINE-MOCON, INC. is a trade mark of BASELINE-MOCON, INC.

| BASELINE-MOCON, INC. | | | | | | |
|--------------------------------------|---|---------------|------------------|---------------|------------------|----------------|
| BASELINE-MOCON, INC. Model Number | Andon Part Number Replace "XXX" with Terminal Type | Terminal Type | | Pin Ø [in] | Figure Number | Page Number |
| | | Thru-Hole | Surface Mount | | | |
| 045-010 | R300-SP03-02T-XXX-R27-L14 | 436P55 | 440P55 | .060 | 1 | 1 |
| 045-011 | R300-SP03-02T-XXX-R27-L14 | 436P55 | 440P55 | .060 | 1 | 1 |
| 045-012 | R300-SP03-02T-XXX-R27-L14 | 436P55 | 440P55 | .060 | 1 | 1 |
| 045-013 | R300-SP03-02T-XXX-R27-L14 | 436P55 | 440P55 | .060 | 1 | 1 |
| 045-014 | R300-SP03-02T-XXX-R27-L14 | 436P55 | 440P55 | .060 | 1 | 1 |
| 045-015 | R300-SP03-02T-XXX-R27-L14 | 436P55 | 440P55 | .060 | 1 | 1 |
| 045-017 | R300-SP03-02T-XXX-R27-L14 | 436P55 | 440P55 | .060 | 1 | 1 |
| 045-018 | R300-SP03-02T-XXX-R27-L14 | 436P55 | 440P55 | .060 | 1 | 1 |
| 043-262 | R300-SP03-02T-XXX-R27-L14 | 436P55 | 440P55 | .060 | 1 | 1 |
| 043-233 | R300-SP03-02T-XXX-R27-L14 | 436P55 | 440P55 | .060 | 1 | 1 |
| 043-234 | R300-SP03-02T-XXX-R27-L14 | 436P55 | 440P55 | .060 | 1 | 1 |
| 043-235 | R300-SP03-02T-XXX-R27-L14 | 436P55 | 440P55 | .060 | 1 | 1 |
| 043-399 | R300-SP03-02T-XXX-R27-L14 | 436P55 | 440P55 | .060 | 1 | 1 |
| 043-327 | R300-SP03-02T-XXX-R27-L14 | 436P55 | 440P55 | .060 | 1 | 1 |
| 043-328 | R300-SP03-02T-XXX-R27-L14 | 436P55 | 440P55 | .060 | 1 | 1 |
| 043-329 | R300-SP03-02T-XXX-R27-L14 | 436P55 | 440P55 | .060 | 1 | 1 |
| 043-240 | R300-SP03-02T-XXX-R27-L14 | 436P55 | 440P55 | .060 | 1 | 1 |
| 043-241 | R300-SP03-02T-XXX-R27-L14 | 436P55 | 440P55 | .060 | 1 | 1 |
| 042-208 | R300-SP03-02T-XXX-R27-L14 | 436P55 | 440P55 | .060 | 1 | 1 |
| 042-616 | R300-SP03-02T-XXX-R27-L14 | 436P55 | 440P55 | .060 | 1 | 1 |
| 042-209 | R300-SP03-02T-XXX-R27-L14 | 436P55 | 440P55 | .060 | 1 | 1 |
| 042-650 | R300-SP03-02T-XXX-R27-L14 | 436P55 | 440P55 | .060 | 1 | 1 |
| 042-651 | R300-SP03-02T-XXX-R27-L14 | 436P55 | 440P55 | .060 | 1 | 1 |
| 042-652 | R300-SP03-02T-XXX-R27-L14 | 436P55 | 440P55 | .060 | 1 | 1 |
| 042-655 | R300-SP03-02T-XXX-R27-L14 | 436P55 | 440P55 | .060 | 1 | 1 |
| 042-699 | R300-SP03-02T-XXX-R27-L14 | 436P55 | 440P55 | .060 | 1 | 1 |
| 042-700 | R300-SP03-02T-XXX-R27-L14 | 436P55 | 440P55 | .060 | 1 | 1 |
| 043-239 | R300-SP03-02T-XXX-R27-L14 | 436P55 | 440P55 | .060 | 1 | 1 |

See last page for other mounting types including low profile options.
Heat sink socket available to reduce heat and noise. Contact Andon for details.

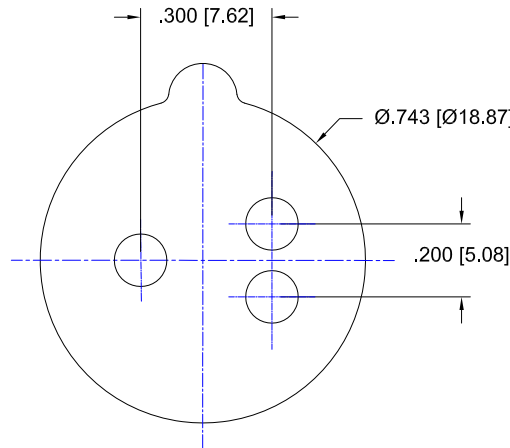


FIG: 1

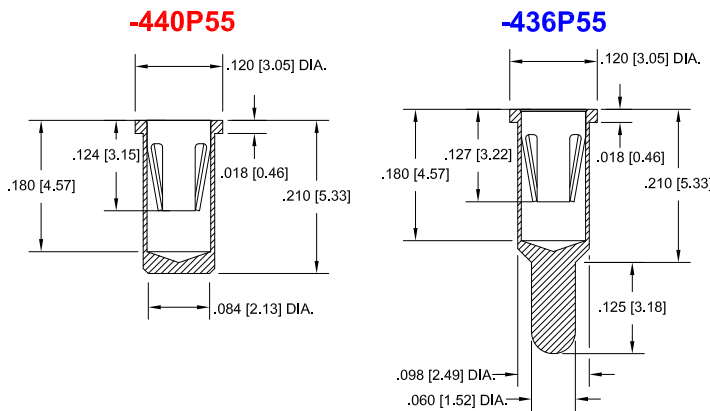
Thru-Hole: R300-SP03-02T-436P55-R27-L14

Surface Mount: R300-SP03-02T-440P55-R27-L14

BASELINE-MOCON, INC. *Continued*

Socket Terminal Details *Cross Section View Shown Units: in [mm]*

Socket Terminal Details *Cross Section View Shown Units: in [mm]*



Technical Information

Material:

Insulator: Hi-Temp UL 94V-O
Terminal: Brass, per ASTM-B16
Contact: BeCu, Per ASTM-B194

Plating: RoHS COMPLIANT

R27 TERMINAL: GOLD / CONTACT: GOLD

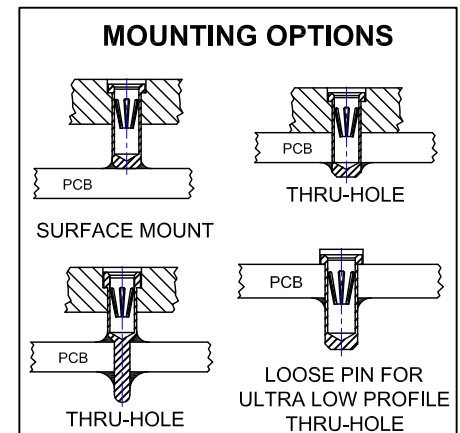
R17 TERMINAL: TIN / CONTACT: GOLD

OTHER PLATINGS AVAILABLE

Terminal Acceptance and Forces

| Thru Hole Terminals | | | | Surface Mount Terminals | | | |
|---------------------|----------------------|-----------------|------------------|-------------------------|----------------------|-----------------|------------------|
| Thru Hole Terminal | Accepts Pin Diameter | Insertion Force | Withdrawal Force | Surface Mount Terminal | Accepts Pin Diameter | Insertion Force | Withdrawal Force |
| -436P55 | Ø.060 [Ø1.52] | 15.5 oz Avg. | 2.1 oz Min | -440P55 | Ø.060 [Ø1.52] | 15.5 oz Avg. | 2.1 oz Min |

©Copyright 2016 Andon Electronics Corporation. All Rights Reserved. This material is protected under US and other copyrights and may not be copied, sold, or redistributed in any form without written permission of Andon Electronics Corporation. Copyrights and trademarks are property of their respective companies. We reserve the right to change specifications without notice. Andon makes no warranty, expressed or implied, as to the suitability of the sockets for the intended purpose.

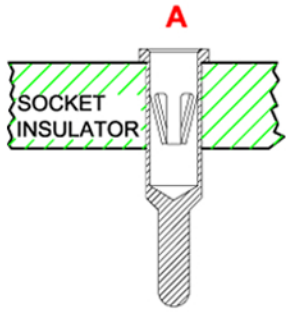


"ANDON PROPRIETARY INFORMATION"

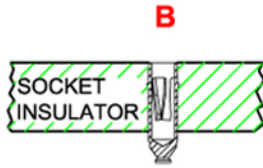
RoHS Compliant

*Sockets are not drawn to scale BASELINE-MOCON, INC. 2/29/2016

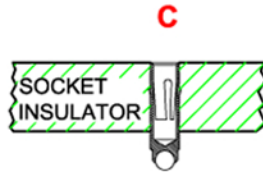
Mounting Options



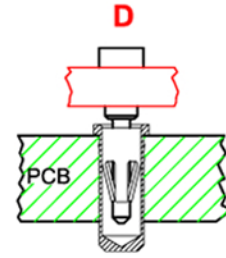
THRU-HOLE



SMD-FLAT FOOT



ROLLERBALL



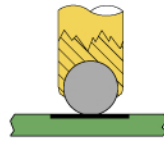
PCB FOR THRU-HOLE
INSULATOR FOR SMD

**CARRIER
WITH OR WITHOUT
SOLDER
WASHER**



**PIN SOCKET
BULK
WITH OR WITHOUT
SOLDER
WASHER**

**ROLLERBALL®
SOCKET**



BEFORE SOLDERING

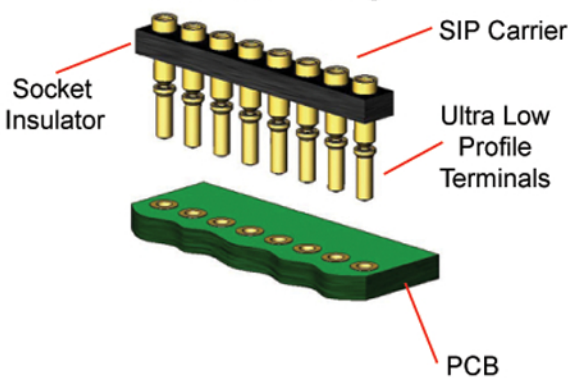
**ROLLERBALL®
SOCKET**



AFTER SOLDERING

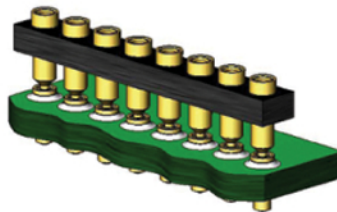
ULTRA LOW PROFILE SIP/DIP/PGA CARRIER ASSEMBLY

Before Soldering

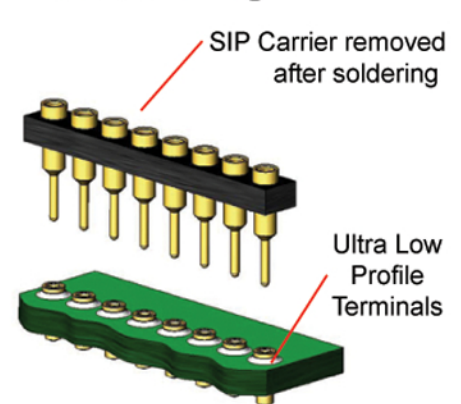


Type D

During Soldering



After Soldering



Available with or without solder washer