



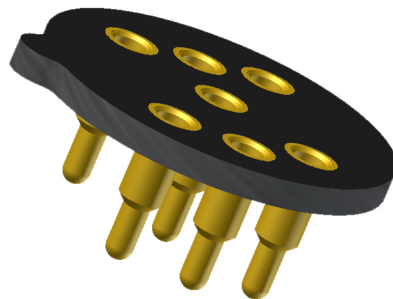
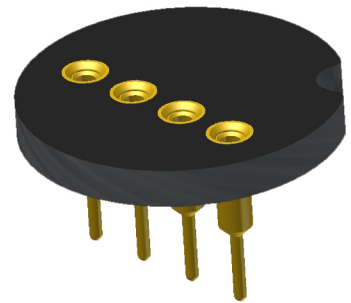
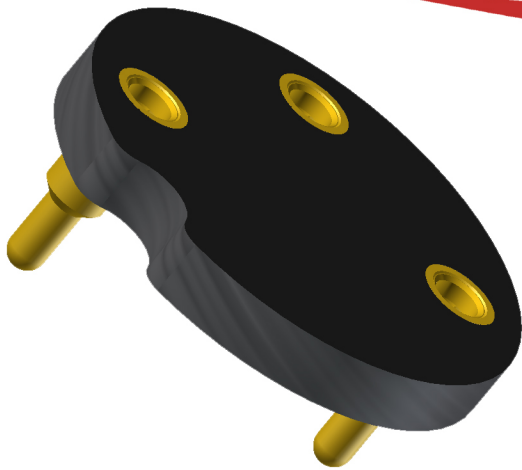
ANDON
INTERCONNECTION SPECIALISTS



RoHS Compliant
ISO 9001
Certified

**HIGH RELIABILITY
GAS SENSOR SOCKETS FOR**

Alphasense

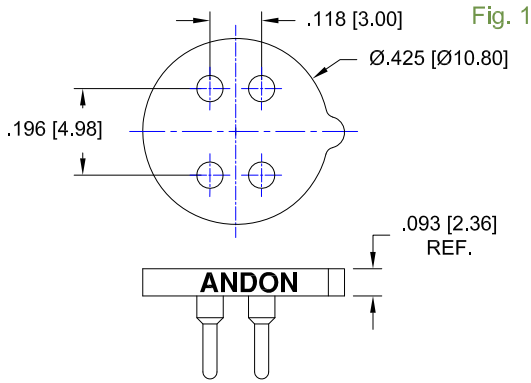


Featuring Andon's Unique Senstac™ Contact

ALPHASENSE is a trade mark of ALPHASENSE

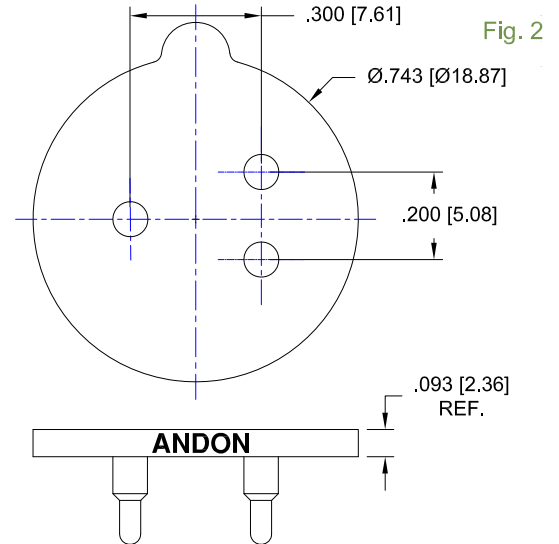
| ALPHASENSE PART | ANDON PART NUMBER |
|-----------------|------------------------------------------------------------------------------------|
| | THRU HOLE: R196-SP04-01T-295V-R27-L14 SURFACE MOUNT: R196-SP04-01T-295V-R27-L14 |

CH-D3



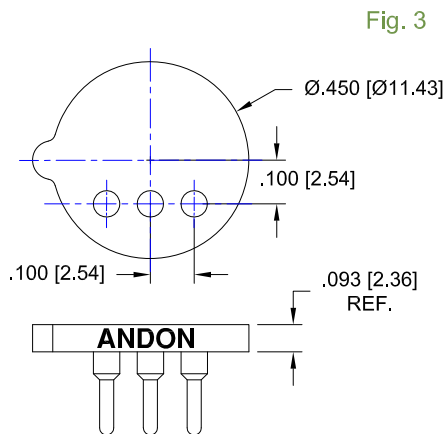
| ALPHASENSE PART | ANDON PART NUMBER |
|-----------------|----------------------------------------------------------------------------------------|
| | THRU HOLE: R300-SP03-02T-436P55-R27-L14 SURFACE MOUNT: R300-SP03-02T-440P55-R27-L14 |

CH-A3
PID-A1
PID-AH



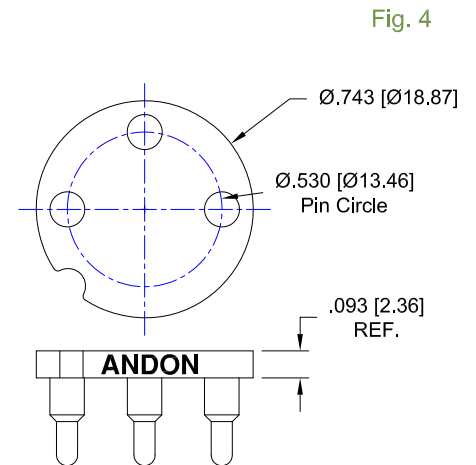
| ALPHASENSE PART | ANDON PART NUMBER |
|-----------------|------------------------------------------------------------------------------------|
| | THRU HOLE: R300-SP03-03T-295V-R27-L14 SURFACE MOUNT: R300-SP03-03T-439V-R27-L14 |

CO2-D1



| ALPHASENSE PART | ANDON PART NUMBER |
|-----------------|----------------------------------------------------------------------------------------|
| | THRU HOLE: R530-0403-02N-436P55-R27-L14 SURFACE MOUNT: R530-0403-02N-440P55-R27-L14 |

CO-AE CO-CE
CO-AF NO2-AE
CO-AX NO2-A1
CO-CE NO-A1
CO-CX NO-AE
CL2-A1 O2-A1
ETO-A1 O2-A2
H2-AF O2-A3
H2S-A1 O2-C2
H2S-AE O2-G1
H2S-AH O2-G2
HCL-A1 PH3-A1
LFO2-A4 SO2-AE
SO2-AF

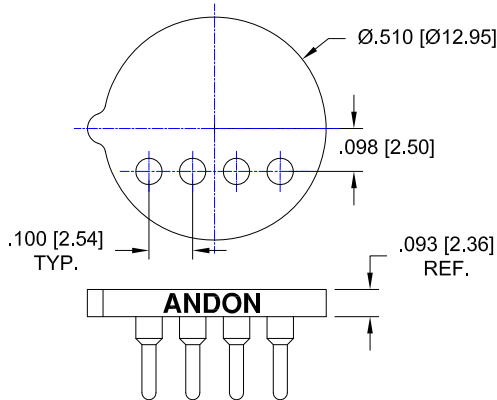


Heat sink socket available to reduce heat and noise. Contact Andon for details.

| ALPHASENSE PART | ANDON PART NUMBER |
|-----------------|-------------------------------------------|
| | THRU HOLE: R300-SP04-02T-295V-R27-L14 |
| | SURFACE MOUNT: R300-SP04-02T-439V-R27-L14 |

CL2-D4
CO-D4
D2
H2S-D4
HCN-D4
NO2-D4
NO-D4
SO2-D4

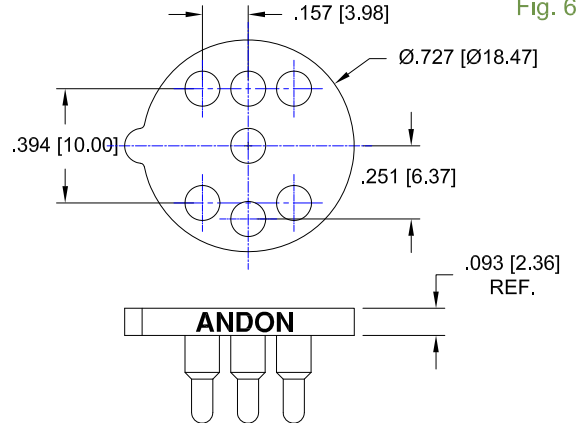
Fig. 5



| ALPHASENSE PART | ANDON PART NUMBER |
|-----------------|---------------------------------------------|
| | THRU HOLE: R505-SP07-01T-436P55-R27-L14 |
| | SURFACE MOUNT: R505-SP07-01T-440P55-R27-L14 |

IRC-A1
IRC-AT

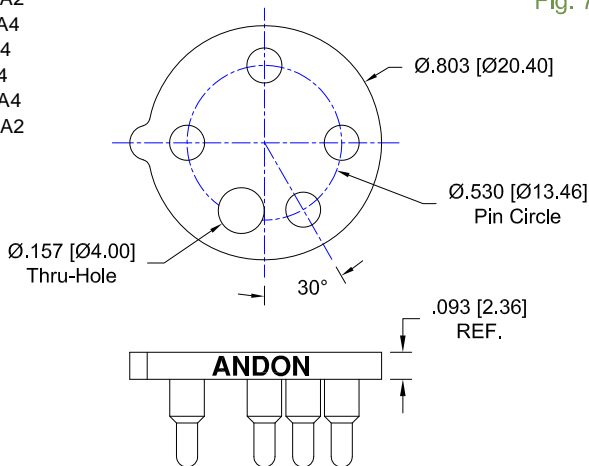
Fig. 6



| ALPHASENSE PART | ANDON PART NUMBER |
|-----------------|---------------------------------------------|
| | THRU HOLE: R530-SP04-01T-436P55-R27-L14 |
| | SURFACE MOUNT: R530-SP04-01T-440P55-R27-L14 |

CO-A4
COH-A2
H2S-A4
NO-A4
O3-A4
SO2-A4
SOH-A2

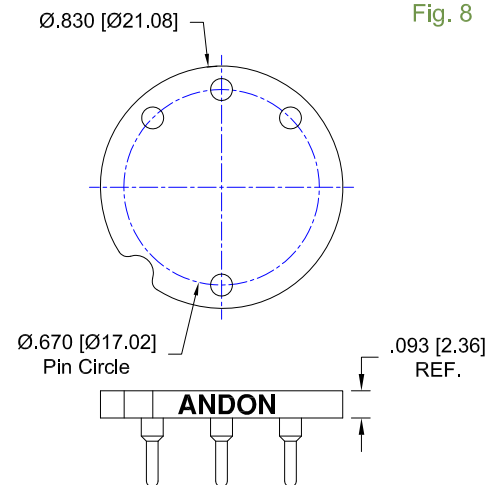
Fig. 7



| ALPHASENSE PART | ANDON PART NUMBER |
|-----------------|-------------------------------------------|
| | THRU HOLE: R670-0804-02N-433E-R27-L14 |
| | SURFACE MOUNT: R670-0804-02N-285E-R27-L14 |

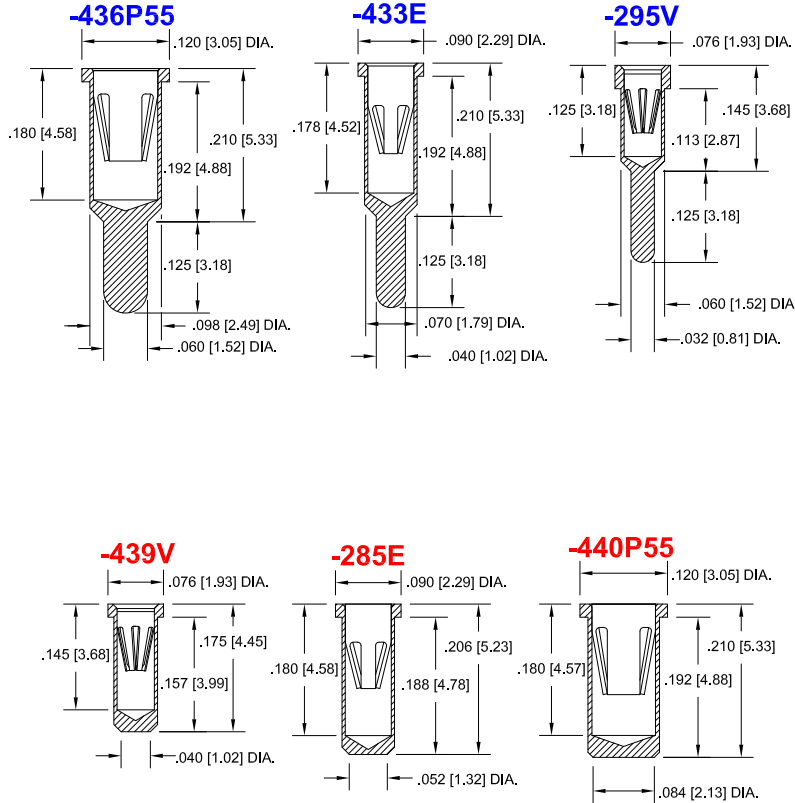
CL2-B1
CO-B4
CO-BF
CO-BX
ETO-B1
H2-BF
H2S-B1
H2S-B4
H2S-BE
H2S-BH
HCL-B1
HCN-B1
NH3-B1
NO2-B4
NO-B4
NO2-B1
O3-B4
PH3-B1
PH3-BE
SO2-B4
SO2-BE
SO2-BF

Fig. 8



Heat sink socket available to reduce heat and noise. Contact Andon for details.

ALPHASENSE Continued
Socket Terminal Details
Cross Section View Shown Units: in [mm]



Heat sink socket available to reduce heat and noise. Contact Andon for details.

Technical Information

Material:

Insulator: Hi-Temp UL 94V-O
Terminal: Brass, per ASTM-B16
Contact: BeCu, Per ASTM-B194

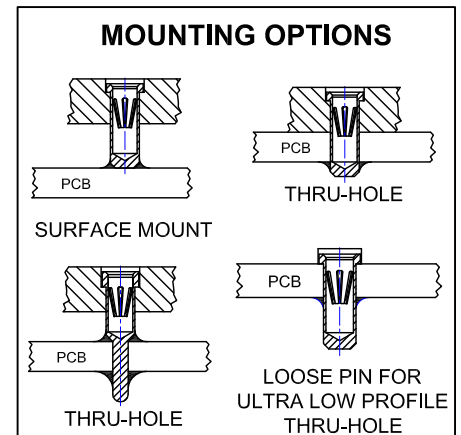
Plating: RoHS COMPLIANT

R27 TERMINAL: GOLD / CONTACT: GOLD

R17 TERMINAL: TIN / CONTACT: GOLD

OTHER PLATINGS AVAILABLE

| Terminal Acceptance and Forces | | | | | | | |
|--------------------------------|----------------------|-----------------|------------------|-------------------------|----------------------|-----------------|------------------|
| Thru Hole Terminals | | | | Surface Mount Terminals | | | |
| Thru Hole Terminal | Accepts Pin Diameter | Insertion Force | Withdrawal Force | Surface Mount Terminal | Accepts Pin Diameter | Insertion Force | Withdrawal Force |
| -295V | Ø.030 [Ø0.76] | 13.2 oz Max | 3.5 oz Min | -439V | Ø.030 [Ø0.76] | 13.2 oz Max | 3.5 oz Min |
| -433E | Ø.040 [Ø1.02] | 36.0 oz Max | 3.9 oz Min | -285E | Ø.040 [Ø1.02] | 36.0 oz Max | 3.9 oz Min |
| -436P55 | Ø.060 [Ø1.52] | 15.5 oz Max | 2.1 oz Min | -440P55 | Ø.060 [Ø1.52] | 15.5 oz Max | 2.1 oz Min |



"ANDON PROPRIETARY INFORMATION"

RoHS Compliant

*Sockets are not drawn to scale ALPHASENSE LTD. 9/11/2015