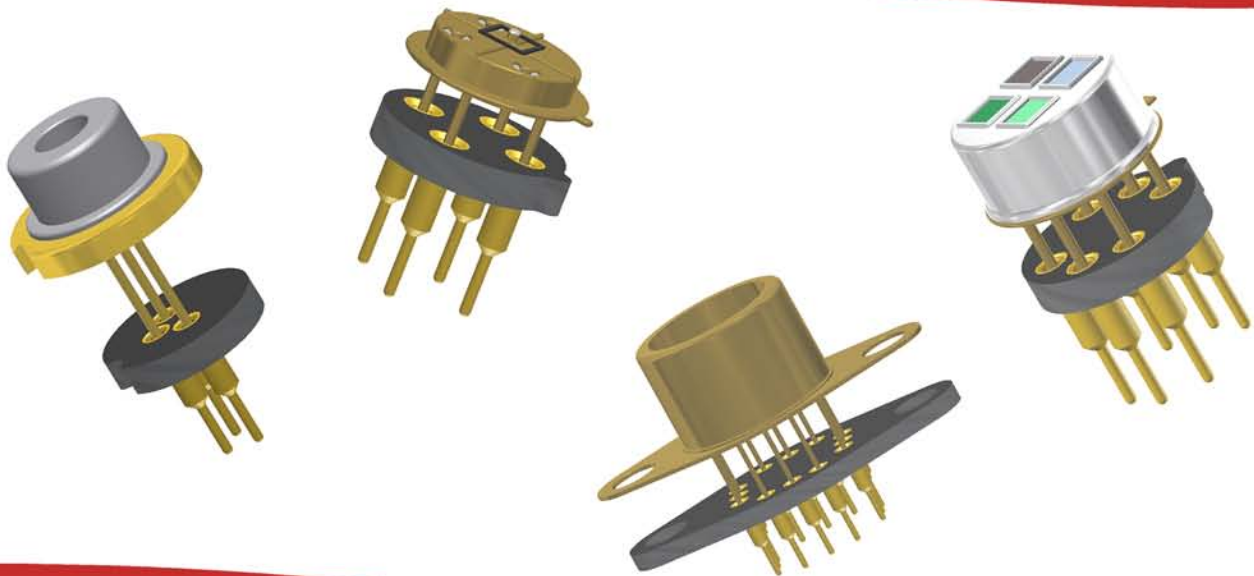




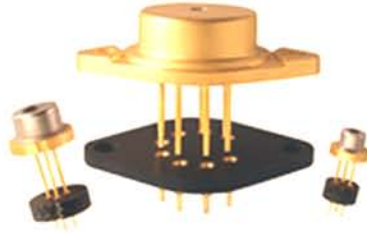
RoHS Compliant
ISO 9001
Certified

OPTOELECTRONIC & GAS SENSOR SOCKETS



***Largest Line of High Reliability Sensor Sockets
with Andon's Unique Senstac™ Contact***

www.andonelect.com or www.andonelectronics.com



Optoelectronic Sockets

High reliability sockets that will cost effectively:

*Protect
Test
Assemble
and*

Enable Replacing of Opto Devices

- Solder sockets on the PCB
- Plug-in sensors after assembly
- Eliminate ESD from handling
- Eliminate damage from soldering temperatures
- Eliminate damage from cleaning solvents
- Avoid cracking the glass seal
- Reduce shock damage to wire bonds

Customers will appreciate knowing that there are ANDON sockets available

Producers of optoelectronic devices may list ANDON on their engineering drawings and website to assist their customers in design engineering.

Distributors have an opportunity to increase their revenue by selling ANDON sockets with the sales of their optoelectronic devices.

Table of Contents

Device to Socket Cross References

Advanced Photonix, Inc.	04
Alphasense	07
America Humirel, Inc	08
Amplification Technologies	08
Analog Modules, Inc.	08
Apex Microtechnology/Cirrus Logic	08
Applied Optronics-A Division of Candela	09
Applied Sensor	09
Avalon Photonics	09
Axcel Photonics	09
Axetris Division of Leister	10
Baseline - MOCON	10
Blue Sky Research	10
Boston Electronics Corp.	11
CalSensors, Inc.	13
Centronic	15
City Technology	16
Clairex Technologies	17
Coherent, Inc	19
Colibrys, Inc.	19
Dexter Research, Inc.	19
DIAS Infrared System	20
Dynamet Limited	21
e2v	22
Eagleyard Photonics	23
Electro-Optical System, Inc.	23
Electrovac AG / Sensore Electronic GmbH	26
Euro-Gas Management Services	26
Everlight	26
Fermionics Opto-Technology	27
Figaro USA, Inc.	27
First Sensor Tecnology	28
FIS, Inc.	28
Fox Group, Inc., The	28
Frankfurt Laser Company	28
Fujikura USA	29
Genlcom	29
Goodrich Corporation	29
GPD Optoelectronics Corporation	29
Hamamatsu Photonics K.K.	30
Hanwei Electronics, LTD	32
Heimann Sensor GmbH	33
Helioworks, Inc.	33
High Power Devices, Inc. Intense LTD.	33
IFW GmbH	33
Infratec GmbH	36
Ion Optics, Inc. ICX Precision Photonics	38
Intex	38
Laser Components IG, Inc.	38
Laser Diode, Inc.	38
LDX Optronics, Inc.	39
Linear Integrated System	39
MAZet GmbH	41

Measurement Specialties	41
Melexis Microelectronic Integrated System	42
Membrapor Sensor	42
Micro-Hybrid Electronics	45
Micropac Industries, Inc.	46
Microsens SA	47
MRB Scientific Ltd.	47
MST IT Micro Sensor Technology	47
Nanoplus GmbH	47
N.E.T. srl	48
Nemoto & CO. LTD.	48
New England Photoconductor	48
Omega Engineering, Inc.	51
Ondax, Inc.	51
Opnext, Inc.	52
Optek Technology	53
Opto Diode Corporation	56
Opto Technology	57
Optowell CO., LTD.	57
OSI Optoelectronics	58
OSRAM Opto Semiconductors GmbH	61
Pacific Silicon Sensor, Inc.	61
Perkin Elmer Optoelectronics	64
Photonic Product, LTD.	67
Power Technology, Inc.	69
Princeton Lightwave, Inc.	72
Pro-Wave Electronics Corporation	72
Pyreos	73
R.P.M.C.	73
Sanyo	75
Scitec Instruments, Inc.	76
Senko	77
Sensor Direct	77
Sensor Electronic Technology	77
Sensore Electronic GmbH	77
Sensoric Division of City Technology	78
Specdilas	80
Spectrum Detector, Inc.	80
Sony	81
Teledyne Relays	81
Tyco Electronics/LDI Sensor	81
Vigo System S.A.	82
Voxtel	83
Winsen	84

*Other companies available, contact factory for datasheets/Information

Optoelectronic Socket Footprints

Round Sockets	85
Flange Sockets	123
Sensor Adapter Sockets	126
Battery Sockets	127
Terminal Details	128
Andon Part Number Index	129

Advanced Photonix Sockets							
Advanced Photonix Part Number	Andon Part Number Replace "XXX" w ith Terminal Type	Terminal Type		Pin Ø [in]	Pin Qty.	Page Number	Figure Number
		Thru-Hole	Surface Mount				
012-70-62-541	R200-0403-04T-XXX-R27-L14	01S	93S	.018	3	93	57
020-70-62-541	R200-0403-04T-XXX-R27-L14	01S	93S	.018	3	93	57
036-70-62-531	R200-0403-02T-XXX-R27-L14	01S	93S	.018	3	93	54
060-70-62-541	R200-0403-04T-XXX-R27-L14	01S	93S	.018	3	93	57
118-70-7X-520	R170-SP02-01T-XXX-R27-L14	01S	93S	.018	2	91	43
118-70-7X-581	R400-SP04-01T-XXX-R27-L14	433E	285E	.040	4	109	137
118-70-7X-591	F430-SP07-01-XXX-R27-L14	295V	439V	.030	7	124	204
120-70-62-541	R200-0403-04T-XXX-R27-L14	01S	93S	.018	3	93	57
197-70-7X-520	R170-SP02-01T-XXX-R27-L14	01S	93S	.018	2	91	43
197-70-7X-581	R400-SP04-01T-XXX-R27-L14	433E	285E	.040	4	109	137
197-70-7X-591	F430-SP07-01-XXX-R27-L14	295V	439V	.030	7	124	204
204-74-74-561	R365-SP04-01T-XXX-R27-L14	01S	93S	.018	4	105	116
394-70-7X-581	R485-SP06-01T-XXX-R27-L14	295V	439V	.030	6	113	154
394-70-7X-591	F700-SP07-01-XXX-R27-L14	295V	439V	.030	7	125	209
PDB-C107	R265-SP02-01-XXX-R27-L14	01S	93S	.018	2	101	94
PDB-C109	R295-0402-02T-XXX-R27-L14	01S	93S	.018	2	102	101
PDB-C134	R100-0402-06T-XXX-R27-L14	75S	265S	.018	2	87	17
PDB-C134F	R100-0402-06T-XXX-R27-L14	75S	265S	.018	2	87	17
PDB-C139	R100-0402-06T-XXX-R27-L14	75S	265S	.018	2	87	17
PDB-C139F	R100-0402-06T-XXX-R27-L14	75S	265S	.018	2	87	17
PDB-C142	R100-0402-06T-XXX-R27-L14	75S	265S	.018	2	87	17
PDB-C142F	R100-0402-06T-XXX-R27-L14	75S	265S	.018	2	87	17
PDB-C156	R100-0402-06T-XXX-R27-L14	75S	265S	.018	2	87	17
PDB-C156F	R100-0402-06T-XXX-R27-L14	75S	265S	.018	2	87	17
PDB-C157	R100-0402-06T-XXX-R27-L14	75S	265S	.018	2	87	17
PDB-C158	R100-0402-06T-XXX-R27-L14	75S	265S	.018	2	87	17
PDB-C158F	R100-0402-06T-XXX-R27-L14	75S	265S	.018	2	87	17
PDB-C168	R100-0402-06T-XXX-R27-L14	75S	265S	.018	2	87	17
PDB-C169	R100-0402-06T-XXX-R27-L14	75S	265S	.018	2	87	17
PDB-C170	R100-0402-06T-XXX-R27-L14	75S	265S	.018	2	87	17
PDB-C201	R200-0403-03T-XXX-R27-L14	01S	93S	.018	3	93	56
PDB-C203	R200-0805-02T-XXX-R27-L14	75S	265S	.018	5	94	61
PDB-V104	R100-0402-06T-XXX-R27-L14	75S	265S	.018	2	87	17
PDB-V107	R265-SP02-01-XXX-R27-L14	01S	93S	.018	2	101	94
PDB-V113	R200-SP02-01-XXX-R27-L14	01S	93S	.018	2	96	70
PDB-V114	R200-0402-02T-XXX-R27-L14	01S	93S	.018	2	92	49
PDI-E801	R100-0402-06T-XXX-R27-L14	75S	265S	.018	2	87	17
PDI-E802	R100-0402-06T-XXX-R27-L14	75S	265S	.018	2	87	17
PDI-E803	R100-0402-06T-XXX-R27-L14	75S	265S	.018	2	87	17
PDI-E804	R100-0402-06T-XXX-R27-L14	75S	265S	.018	2	87	17
PDI-E805	R100-0402-06T-XXX-R27-L14	75S	265S	.018	2	87	17
PDI-E808-A	R100-0402-06T-XXX-R27-L14	75S	265S	.018	2	87	17
PDI-E809	R100-0402-06T-XXX-R27-L14	75S	265S	.018	2	87	17
PDI-E813	R100-0402-06T-XXX-R27-L14	75S	265S	.018	2	87	17
PDI-E825	R100-0402-06T-XXX-R27-L14	75S	265S	.018	2	87	17
PDU-G101A	R100-0402-06T-XXX-R27-L14	75S	265S	.018	2	87	17
PDU-G102B	R100-0402-06T-XXX-R27-L14	75S	265S	.018	2	87	17
PDU-V104	R100-0402-06T-XXX-R27-L14	75S	265S	.018	2	87	17
PDU-V114	R100-0402-06T-XXX-R27-L14	75S	265S	.018	2	87	17
PDV-P5001	R300-SP02-01-XXX-R27-L14	01S	93S	.018	2	103	105
PDV-P5002	R300-SP02-01-XXX-R27-L14	01S	93S	.018	2	103	105
PDV-P5003	R300-SP02-01-XXX-R27-L14	01S	93S	.018	2	103	105
PDV-P7002	R200-SP02-01-XXX-R27-L14	01S	93S	.018	2	96	70
PDV-P8001	R134-SP02-01-XXX-R27-L14	274K	281K	.018	2	90	37
PDV-P8005	R134-SP02-01-XXX-R27-L14	274K	281K	.018	2	90	37

Advanced Photonix Sockets <i>Continued</i>							
Advanced Photonix Part Number	Andon Part Number Replace "XXX" w ith Terminal Type	Terminal Type		Pin Ø [in]	Pin Qty.	Page Number	Figure Number
		Thru-Hole	Surface				
PDV-P8101	R134-SP02-01-XXX-R27-L14	274K	281K	.018	2	90	37
PDV-P8102	R134-SP02-01-XXX-R27-L14	274K	281K	.018	2	90	37
PDV-P8103	R134-SP02-01-XXX-R27-L14	274K	281K	.018	2	90	37
PDV-P8104	R134-SP02-01-XXX-R27-L14	274K	281K	.018	2	90	37
PDV-P8105	R134-SP02-01-XXX-R27-L14	274K	281K	.018	2	90	37
PDV-P8107	R134-SP02-01-XXX-R27-L14	274K	281K	.018	2	90	37
PDV-P9001	R100-SP02-01-XXX-R27-L14	274K	281K	.018	2	89	29
PDV-P9002	R100-SP02-01-XXX-R27-L14	274K	281K	.018	2	89	29
PDV-P9002-1	R100-SP02-01-XXX-R27-L14	274K	281K	.018	2	89	29
PDV-P9003	R100-SP02-01-XXX-R27-L14	274K	281K	.018	2	89	29
PDV-P9003-1	R100-SP02-01-XXX-R27-L14	274K	281K	.018	2	89	29
PDV-P9004	R100-SP02-01-XXX-R27-L14	274K	281K	.018	2	89	29
PDV-P9005	R100-SP02-01-XXX-R27-L14	274K	281K	.018	2	89	29
PDV-P9005-1	R100-SP02-01-XXX-R27-L14	274K	281K	.018	2	89	29
PDV-P9006	R100-SP02-01-XXX-R27-L14	274K	281K	.018	2	89	29
PDV-P9007	R100-SP02-01-XXX-R27-L14	274K	281K	.018	2	89	29
PDV-P9008	R100-SP02-01-XXX-R27-L14	274K	281K	.018	2	89	29
PDV-P9103	R100-SP02-01-XXX-R27-L14	274K	281K	.018	2	89	29
PDV-P9200	R100-SP02-01-XXX-R27-L14	274K	281K	.018	2	89	29
PDV-P9203	R100-SP02-01-XXX-R27-L14	274K	281K	.018	2	89	29
SD 004-11-41-211	R100-0404-02T-XXX-R27-L14	75S	265S	.018	4	88	26
SD 008-11-41-211	R100-0403-01T-XXX-R27-L14	75S	265S	.018	3	87	18
SD 012-11-41-211	R100-0403-01T-XXX-R27-L14	75S	265S	.018	3	87	18
SD 012-44-62-221	R100-0403-01T-XXX-R27-L14	75S	265S	.018	3	87	18
SD 020-11-33-211	R100-0403-01T-XXX-R27-L14	75S	265S	.018	3	87	18
SD 041-11-33-211	R100-0403-01T-XXX-R27-L14	75S	265S	.018	3	87	18
SD 041-12-22-011	R100-0403-01T-XXX-R27-L14	75S	265S	.018	3	87	18
SD 041-12-22-211	R100-0403-01T-XXX-R27-L14	75S	265S	.018	3	87	18
SD 041-41-41-211	R100-0403-01T-XXX-R27-L14	75S	265S	.018	3	87	18
SD 041-41-42-211	R100-0403-01T-XXX-R27-L14	75S	265S	.018	3	87	18
SD 041-41-43-211	R100-0403-01T-XXX-R27-L14	75S	265S	.018	3	87	18
SD 041-41-44-211	R100-0403-01T-XXX-R27-L14	75S	265S	.018	3	87	18
SD 055-23-21-011	R100-0806-01T-XXX-G10-L14	C2	N/A	.018	6	88	28
SD 055-23-21-211	R100-0806-01T-XXX-G10-L14	C2	N/A	.018	6	88	28
SD 057-11-21-011	R100-0403-01T-XXX-R27-L14	75S	265S	.018	3	87	18
SD 057-11-21-015	R100-0403-01T-XXX-R27-L14	75S	265S	.018	3	87	18
SD 057-14-21-015	R100-0403-01T-XXX-R27-L14	75S	265S	.018	3	87	18
SD 060-11-41-211	R200-0403-02T-XXX-R27-L14	01S	93S	.018	3	93	54
SD 066-24-21-011	R100-0403-01T-XXX-R27-L14	75S	265S	.018	3	87	18
SD 076-11-21-011	R100-0403-01T-XXX-R27-L14	75S	265S	.018	3	87	18
SD 076-11-21-211	R100-0403-01T-XXX-R27-L14	75S	265S	.018	3	87	18
SD 076-11-31-211	R100-0403-01T-XXX-R27-L14	75S	265S	.018	3	87	18
SD 076-12-22-011	R100-0403-01T-XXX-R27-L14	75S	265S	.018	3	87	18
SD 076-12-22-211	R100-0403-01T-XXX-R27-L14	75S	265S	.018	3	87	18
SD 076-14-21-011	R100-0403-01T-XXX-R27-L14	75S	265S	.018	3	87	18
SD 076-14-21-211	R100-0403-01T-XXX-R27-L14	75S	265S	.018	3	87	18
SD 08-17-51-211	R100-0403-01T-XXX-R27-L14	75S	265S	.018	3	87	18
SD 08-17-51-214	R100-0403-01T-XXX-R27-L14	75S	265S	.018	3	87	18
SD 08-17-51-218	R100-0403-01T-XXX-R27-L14	75S	265S	.018	3	87	18
SD 085-23-21-021	R200-0805-02T-XXX-R27-L14	75S	265S	.018	5	94	61
SD 100-11-21-021	R200-0403-02T-XXX-R27-L14	01S	93S	.018	3	93	54
SD 100-11-21-221	R200-0403-02T-XXX-R27-L14	01S	93S	.018	3	93	54
SD 100-11-31-221	R200-0403-02T-XXX-R27-L14	01S	93S	.018	3	93	54
SD 100-12-22-021	R200-0403-02T-XXX-R27-L14	01S	93S	.018	3	93	54
SD 100-12-22-221	R200-0403-02T-XXX-R27-L14	01S	93S	.018	3	93	54

Advanced Photonix Sockets <i>Continued</i>							
Advanced Photonix Part Number	Andon Part Number Replace "XXX" w ith Terminal Type	Terminal Type		Pin Ø [in]	Pin Qty.	Page Number	Figure Number
		Thru-Hole	Surface Mount				
SD 100-14-21-021	R200-0403-02T-XXX-R27-L14	01S	93S	.018	3	93	54
SD 100-14-21-221	R200-0403-02T-XXX-R27-L14	01S	93S	.018	3	93	54
SD 100-33-22-223	R200-0403-02T-XXX-R27-L14	01S	93S	.018	3	93	54
SD 100-34-23-123	R200-0402-02T-XXX-R27-L14	01S	93S	.018	2	92	49
SD 100-41-21-231	R230-0808-01T-XXX-R27-L14	75S	265S	.018	8	99	86
SD 100-42-22-231	R200-0402-02T-XXX-R27-L14	01S	93S	.018	2	92	49
SD 100-43-23-232	R230-0808-01T-XXX-R27-L14	75S	265S	.018	8	99	86
SD 112-42-11-221	R200-0404-01T-XXX-R27-L14	01S	93S	.018	4	94	58
SD 112-43-11-221	R200-0404-01T-XXX-R27-L14	01S	93S	.018	4	94	58
SD 112-45-11-221	R200-0404-01T-XXX-R27-L14	01S	93S	.018	4	94	58
SD 112-46-11-221	R200-0403-02T-XXX-R27-L14	01S	93S	.018	3	93	54
SD 113-24-24-021	R200-0403-02T-XXX-R27-L14	01S	93S	.018	3	93	54
SD 118-23-21-021	R200-0805-02T-XXX-R27-L14	75S	265S	.018	5	94	61
SD 118-23-21-041	R200-0805-02T-XXX-R27-L14	75S	265S	.018	5	94	61
SD 125-11-21-021	R200-0403-02T-XXX-R27-L14	01S	93S	.018	3	93	54
SD 125-11-21-221	R200-0403-02T-XXX-R27-L14	01S	93S	.018	3	93	54
SD 138-11-31-211	R230-SP04-01T-XXX-R27-L14	01S	93S	.018	4	100	89
SD 160-24-21-021	R200-0403-02T-XXX-R27-L14	01S	93S	.018	3	93	54
SD 170-31-22-223	R200-0403-02T-XXX-R27-L14	01S	93S	.018	3	93	54
SD 172-11-21-021	R200-0403-02T-XXX-R27-L14	01S	93S	.018	3	93	54
SD 172-11-21-221	R200-0403-02T-XXX-R27-L14	01S	93S	.018	3	93	54
SD 172-11-31-221	R200-0403-02T-XXX-R27-L14	01S	93S	.018	3	93	54
SD 172-12-22-021	R200-0403-02T-XXX-R27-L14	01S	93S	.018	3	93	54
SD 172-12-22-221	R200-0403-02T-XXX-R27-L14	01S	93S	.018	3	93	54
SD 172-13-23-222	R200-0403-02T-XXX-R27-L14	01S	93S	.018	3	93	54
SD 172-14-21-021	R200-0403-02T-XXX-R27-L14	01S	93S	.018	3	93	54
SD 172-14-21-221	R200-0403-02T-XXX-R27-L14	01S	93S	.018	3	93	54
SD 197-23-21-041	R300-SP05-02T-XXX-R27-L14	01S	93S	.018	5	104	110
SD 200-11-21-041	R300-0803-01T-XXX-R27-L14	01S	93S	.018	3	103	103
SD 200-11-21-241	R300-0803-01T-XXX-R27-L14	01S	93S	.018	3	103	103
SD 200-11-31-241	R300-0803-01T-XXX-R27-L14	01S	93S	.018	3	103	103
SD 200-12-22-041	R300-0803-01T-XXX-R27-L14	01S	93S	.018	3	103	103
SD 200-12-22-241	R300-0803-01T-XXX-R27-L14	01S	93S	.018	3	103	103
SD 200-13-222	R300-0803-01T-XXX-R27-L14	01S	93S	.018	3	103	103
SD 200-13-23-242	R300-0803-01T-XXX-R27-L14	01S	93S	.018	3	103	103
SD 200-14-21-041	R300-0803-01T-XXX-R27-L14	01S	93S	.018	3	103	103
SD 200-14-21-241	R300-0803-01T-XXX-R27-L14	01S	93S	.018	3	103	103
SD 225-23-21-040	R300-SP05-01T-XXX-R27-L14	01S	93S	.018	5	104	109
SD 290-11-21-040	R300-0803-01T-XXX-R27-L14	01S	93S	.018	3	103	103
SD 290-11-21-241	R300-0803-01T-XXX-R27-L14	01S	93S	.018	3	103	103
SD 290-11-31-241	R300-0803-01T-XXX-R27-L14	01S	93S	.018	3	103	103
SD 290-12-22-041	R300-0803-01T-XXX-R27-L14	01S	93S	.018	3	103	103
SD 290-12-22-241	R300-0803-01T-XXX-R27-L14	01S	93S	.018	3	103	103
SD 290-13-23-242	R300-0803-01T-XXX-R27-L14	01S	93S	.018	3	103	103
SD 290-14-21-041	R300-0803-01T-XXX-R27-L14	01S	93S	.018	3	103	103
SD 290-14-21-241	R300-0803-01T-XXX-R27-L14	01S	93S	.018	3	103	103
SD 290-32-31-243	R300-0803-01T-XXX-R27-L14	01S	93S	.018	3	103	103
SD 380-23-21-051	R730-0808-01T-XXX-R27-L14	01S	93S	.018	8	119	181
SD 385-24-21-041	R295-0403-01T-XXX-R27-L14	01S	93S	.018	3	102	102
SD 444-41-21-261	R730-0808-01T-XXX-R27-L14	01S	93S	.018	8	119	181
SD 444-42-22-261	R730-0808-01T-XXX-R27-L14	01S	93S	.018	8	119	181
SD 444-43-23-262	R730-0808-01T-XXX-R27-L14	01S	93S	.018	8	119	181
SD 551-23-41-221	R730-0808-01T-XXX-R27-L14	01S	93S	.018	8	119	181

Alphasense Sockets

Alphasense Sockets Part Number	Andon Part Number Replace "XXX" w/ith Terminal Type	Terminal Type		Pin Ø [in]	Pin Qty.	Page Number	Figure Number
		Thru-Hole	Surface Mount				
CH-A3	R300-SP03-02T-XXX-R27-L14	436P55	440P55	.060	3	103	106
CH-D3	R196-SP04-01T-XXX-R27-L14	295V	439V	.030	4	91	45
CL2-A1	R530-0403-02N-XXX-R27-L14	436P55	440P55	.060	3	114	162
CL2-B1	R670-0804-02N-XXX-R27-L14	433E	285E	.040	4	116	171
CL3-D4	R300-SP04-02T-XXX-R27-L14	295V	439V	.030	4	104	108
CO2-D1	R200-SP03-03T-XXX-R27-L14	295V	439V	.030	3	97	74
CO-AE	R530-0403-02N-XXX-R27-L14	436P55	440P55	.060	3	114	162
CO-AF	R530-0403-02N-XXX-R27-L14	436P55	440P55	.060	3	114	162
CO-AX	R530-0403-02N-XXX-R27-L14	436P55	440P55	.060	3	114	162
CO-BF	R670-0804-02N-XXX-R27-L14	433E	285E	.040	4	116	171
CO-BX	R670-0804-02N-XXX-R27-L14	433E	285E	.040	4	116	171
CO-CE	R530-0403-02N-XXX-R27-L14	436P55	440P55	.060	3	114	162
CO-CF	R530-0403-02N-XXX-R27-L14	436P55	440P55	.060	3	114	162
CO-CX	R530-0403-02N-XXX-R27-L14	436P55	440P55	.060	3	114	162
CO-D4	R300-SP04-02T-XXX-R27-L14	295V	439V	.030	4	104	108
D2	R300-SP04-02T-XXX-R27-L14	295V	439V	.030	4	104	108
ETO-A1	R530-0403-02N-XXX-R27-L14	436P55	440P55	.060	3	114	162
ETO-B1	R670-0804-01T-XXX-R27-L14	433E	285E	.040	4	116	170
H2S-A1	R530-0403-02N-XXX-R27-L14	436P55	440P55	.060	3	114	162
H2S-A1	R530-0403-02N-XXX-R27-L14	436P55	440P55	.060	3	114	162
H2S-AE	R530-0403-02N-XXX-R27-L14	436P55	440P55	.060	3	114	162
H2S-AH	R530-0403-02N-XXX-R27-L14	436P55	440P55	.060	3	114	162
H2S-B1	R670-0804-02N-XXX-R27-L14	433E	285E	.040	4	116	171
H2S-BE	R670-0804-02N-XXX-R27-L14	433E	285E	.040	4	116	171
H2S-BH	R670-0804-02N-XXX-R27-L14	433E	285E	.040	4	116	171
H2S-D4	R300-SP04-02T-XXX-R27-L14	295V	439V	.030	4	104	108
HCN-A1	R530-0403-02N-XXX-R27-L14	436P55	440P55	.060	3	114	162
HCN-D4	R300-SP04-02T-XXX-R27-L14	295V	439V	.030	4	104	108
IRC-A1	R505-SP07-01T-XXX-R27-L14	436P55	440P55	.060	7	113	155
NO2-A1	R530-0403-02N-XXX-R27-L14	436P55	440P55	.060	3	114	162
NO2-AE	R530-0403-02N-XXX-R27-L14	436P55	440P55	.060	3	114	162
NO2-B1	R670-0804-02N-XXX-R27-L14	433E	285E	.040	4	116	171
NO2-DA	R300-SP04-02T-XXX-R27-L14	295V	439V	.030	4	104	108
NO-A1	R530-0403-02N-XXX-R27-L14	436P55	440P55	.060	3	114	162
NO-AE	R530-0403-02N-XXX-R27-L14	436P55	440P55	.060	3	114	162
NO-B1	R670-0804-02N-XXX-R27-L14	433E	285E	.040	4	116	171
NO-D4	R300-SP04-02T-XXX-R27-L14	295V	439V	.030	4	104	108
O2-A1	R530-0403-02N-XXX-R27-L14	436P55	440P55	.060	3	114	162
O2-A2	R530-0403-02N-XXX-R27-L14	436P55	440P55	.060	3	114	162
O2-A3	R530-0403-02N-XXX-R27-L14	436P55	440P55	.060	3	114	162
O2-C2	R530-0403-02N-XXX-R27-L14	436P55	440P55	.060	3	114	162
O2-G1	R530-0403-02N-XXX-R27-L14	436P55	440P55	.060	3	114	162
O2-G2	R530-0403-02N-XXX-R27-L14	436P55	440P55	.060	3	114	162
PH3-A1	R530-0403-02N-XXX-R27-L14	436P55	440P55	.060	3	114	162
PH3-B1	R670-0804-02N-XXX-R27-L14	433E	285E	.040	4	116	171
PH3-BE	R670-0804-02N-XXX-R27-L14	433E	285E	.040	4	116	171
PID-A1	R300-SP03-02T-XXX-R27-L14	436P55	440P55	.060	3	103	106
PID-AH	R300-SP03-02T-XXX-R27-L14	436P55	440P55	.060	3	103	106
SO2-BF	R670-0804-02N-XXX-R27-L14	433E	285E	.040	4	116	171
SO2-AE	R530-0403-02N-XXX-R27-L14	436P55	440P55	.060	3	114	162
SO2-AF	R530-0403-02N-XXX-R27-L14	436P55	440P55	.060	3	114	162
SO2-BF	R670-0804-02N-XXX-R27-L14	433E	285E	.040	4	116	171
SO2-D4	R300-SP04-02T-XXX-R27-L14	295V	439V	.030	4	104	108

America Humirel, Inc. Sockets							
America Humirel, Inc. Sockets Part Number	Andon Part Number Replace "XXX" w with Terminal Type	Terminal Type		Pin Ø [in]	Pin Qty.	Page Number	Figure Number
		Thru-Hole	Surface Mount				
HS1100LF	R200-0402-01T-XXX-R27-L14	01S	93S	.018	2	92	48
HS1101LF	R200-0402-01T-XXX-R27-L14	01S	93S	.018	2	92	48
Amplification Technologies Sockets							
Amplification Technologies Sockets Part Number	Andon Part Number Replace "XXX" w with Terminal Type	Terminal Type		Pin Ø [in]	Pin Qty.	Page Number	Figure Number
		Thru-Hole	Surface Mount				
DAPD10C Series	R200-0402-02T-XXX-R27-L14	01S	93S	.018	2	92	49
DAPDNIR Series	R200-0402-02T-XXX-R27-L14	01S	93S	.018	2	92	49
Analog Modules, Inc. Sockets							
Analog Modules, Inc. Sockets Part Number	Andon Part Number Replace "XXX" w with Terminal Type	Terminal Type		Pin Ø [in]	Pin Qty.	Page Number	Figure Number
		Thru-Hole	Surface Mount				
754	R400-SP12-02T-XXX-R27-L14	01S	93S	.018	12	111	143
755	R400-SP12-02T-XXX-R27-L14	01S	93S	.018	12	111	143
756	R400-SP12-02T-XXX-R27-L14	01S	93S	.018	12	111	143
759	R400-SP06-01T-XXX-R27-L14	01S	93S	.018	6	110	139
753A	R790-1212-01N-XXX-R27-L14	01S	93S	.018	12	120	186
757-02	R790-1212-01N-XXX-R27-L14	01S	93S	.018	12	120	186
757-03	R790-1212-01N-XXX-R27-L14	01S	93S	.018	12	120	186
757-04	R790-1212-01N-XXX-R27-L14	01S	93S	.018	12	120	186
759-04	R400-SP06-01T-XXX-R27-L14	01S	93S	.018	6	110	139
Apex Microtechnology/Cirrus Logic Sockets							
Apex Microtechnology/Cirrus Logic Sockets Part Number	Andon Part Number Replace "XXX" w with Terminal Type	Terminal Type		Pin Ø [in]	Pin Qty.	Page Number	Figure Number
		Thru-Hole	Surface Mount				
PA01	F500-SP09-01-XXX-R27-L14	433E	285E	.040	9	125	208
PA02	F500-SP09-01-XXX-R27-L14	433E	285E	.040	9	125	208
PA02M	F500-SP09-01-XXX-R27-L14	433E	285E	.040	9	125	208
PA07	F500-SP09-01-XXX-R27-L14	433E	285E	.040	9	125	208
PA08	F500-SP09-01-XXX-R27-L14	433E	285E	.040	9	125	208
PA08M	F500-SP09-01-XXX-R27-L14	433E	285E	.040	9	125	208
PA08V	F500-SP09-01-XXX-R27-L14	433E	285E	.040	9	125	208
PA09	F500-SP09-01-XXX-R27-L14	433E	285E	.040	9	125	208
PA09M	F500-SP09-01-XXX-R27-L14	433E	285E	.040	9	125	208
PA10	F500-SP09-01-XXX-R27-L14	433E	285E	.040	9	125	208
PA10M	F500-SP09-01-XXX-R27-L14	433E	285E	.040	9	125	208
PA12	F500-SP09-01-XXX-R27-L14	433E	285E	.040	9	125	208
PA12H	F500-SP09-01-XXX-R27-L14	433E	285E	.040	9	125	208
PA12M	F500-SP09-01-XXX-R27-L14	433E	285E	.040	9	125	208
PA19	F500-SP09-01-XXX-R27-L14	433E	285E	.040	9	125	208
PA240	F500-SP09-01-XXX-R27-L14	433E	285E	.040	9	125	208
PA241M	F500-SP09-01-XXX-R27-L14	433E	285E	.040	9	125	208
PA50	F500-SP09-01-XXX-R27-L14	433E	285E	.040	9	125	208
PA51	F500-SP09-01-XXX-R27-L14	433E	285E	.040	9	125	208
PA51M	F500-SP09-01-XXX-R27-L14	433E	285E	.040	9	125	208
PA61	F500-SP09-01-XXX-R27-L14	433E	285E	.040	9	125	208
PA61M	F500-SP09-01-XXX-R27-L14	433E	285E	.040	9	125	208
PA73	F500-SP09-01-XXX-R27-L14	433E	285E	.040	9	125	208
PA73M	F500-SP09-01-XXX-R27-L14	433E	285E	.040	9	125	208
PA74/76	F500-SP09-01-XXX-R27-L14	433E	285E	.040	9	125	208
PA74M	F500-SP09-01-XXX-R27-L14	433E	285E	.040	9	125	208
PA81/82	F500-SP09-01-XXX-R27-L14	433E	285E	.040	9	125	208
PA83	F500-SP09-01-XXX-R27-L14	433E	285E	.040	9	125	208
PA83M	F500-SP09-01-XXX-R27-L14	433E	285E	.040	9	125	208

Apex Microtechnology/Cirrus Logic Sockets <i>Continued</i>							
Apex Microtechnology/Cirrus Logic Sockets Part Number	Andon Part Number Replace "XXX" w with Terminal Type	Terminal Type		Pin Ø [in]	Pin Qty.	Page Number	Figure Number
		Thru-Hole	Surface Mount				
PA84	F500-SP09-01-XXX-R27-L14	433E	285E	.040	9	125	208
PA84M	F500-SP09-01-XXX-R27-L14	433E	285E	.040	9	125	208
PA85	F500-SP09-01-XXX-R27-L14	433E	285E	.040	9	125	208
PA85M	F500-SP09-01-XXX-R27-L14	433E	285E	.040	9	125	208
PA88	F500-SP09-01-XXX-R27-L14	433E	285E	.040	9	125	208
PA94	F500-SP09-01-XXX-R27-L14	433E	285E	.040	9	125	208
PA95	F500-SP09-01-XXX-R27-L14	433E	285E	.040	9	125	208
PB50	F500-SP09-01-XXX-R27-L14	433E	285E	.040	9	125	208
PB58	F500-SP09-01-XXX-R27-L14	433E	285E	.040	9	125	208

Applied Optronics - A Division of Candela Sockets							
Applied Optronics - A Division of Candela Sockets Part Number	Andon Part Number Replace "XXX" w with Terminal Type	Terminal Type		Pin Ø [in]	Pin Qty.	Page Number	Figure Number
		Thru-Hole	Surface Mount				
TO-3	F500-SP09-01-XXX-R27-L14	433E	285E	.040	9	125	208
TO-46	R100-0402-01T-XXX-R27-L14	75S	265S	.018	2	86	12
TO-5	R200-SP02-02T-XXX-R27-L14	75S	265S	.018	2	96	71
TO-9	R100-0403-01T-XXX-R27-L14	75S	265S	.018	3	87	18

Applied Sensor Sockets							
Applied Sensor Sockets Part Number	Andon Part Number Replace "XXX" w with Terminal Type	Terminal Type		Pin Ø [in]	Pin Qty.	Page Number	Figure Number
		Thru-Hole	Surface Mount				
AS-MLC	R200-0404-01T-XXX-R27-L14	01S	93S	.018	4	94	58
AS-MLK	R200-0404-01T-XXX-R27-L14	01S	93S	.018	4	94	58
AS-MLN	R200-0404-01T-XXX-R27-L14	01S	93S	.018	4	94	58
AS-MLV	R200-0404-01T-XXX-R27-L14	01S	93S	.018	4	94	58

Avalon Photonics Sockets							
Avalon Photonics Sockets Part Number	Andon Part Number Replace "XXX" w with Terminal Type	Terminal Type		Pin Ø [in]	Pin Qty.	Page Number	Figure Number
		Thru-Hole	Surface Mount				
AP-53-0101-1601	R100-0404-01T-XXX-R27-L14	75S	265S	.018	4	88	23
AP-A72-0101-1500	R100-0403-01T-XXX-R27-L14	75S	265S	.018	3	87	18
AP-A72-0101-1600	R100-0404-01T-XXX-R27-L14	75S	265S	.018	4	88	23
AP-A72-0101-1700	R100-0403-01T-XXX-R27-L14	75S	265S	.018	3	87	18
AP-A72-0101-1800	R100-0403-01T-XXX-R27-L14	75S	265S	.018	3	87	18
AP-A72-0101-2100	R100-0403-01T-XXX-R27-L14	75S	265S	.018	3	87	18
AP-A72-0101-2200	R100-0403-01T-XXX-R27-L14	75S	265S	.018	3	87	18
AP-A72-0101-2300	R100-0403-01T-XXX-R27-L14	75S	265S	.018	3	87	18
AP-A72-0101-2600	R100-0404-01T-XXX-R27-L14	75S	265S	.018	4	88	23
AP-A72-0101-2700	R100-0404-01T-XXX-R27-L14	75S	265S	.018	4	88	23

Axcel Photonics Sockets							
Axcel Photonics Sockets Part Number	Andon Part Number Replace "XXX" w with Terminal Type	Terminal Type		Pin Ø [in]	Pin Qty.	Page Number	Figure Number
		Thru-Hole	Surface Mount				
M5-785-0080-S50	R100-0403-06T-XXX-R27-L14	75S	265S	.018	3	87	21
M5-808-0200-030	R100-0403-06T-XXX-R27-L14	75S	265S	.018	3	87	21
M5-808-0500-030	R100-0403-06T-XXX-R27-L14	75S	265S	.018	3	87	21
M5-905-0100-S50	R100-0403-06T-XXX-R27-L14	75S	265S	.018	3	87	21
M5-975-0200-050	R100-0403-06T-XXX-R27-L14	75S	265S	.018	3	87	21
M9-785-1000-150	R100-0403-06T-XXX-R27-L14	75S	265S	.018	3	87	21
M9-808-0100-S50	R100-0403-06T-XXX-R27-L14	75S	265S	.018	3	87	21
M9-808-0150-S50	R100-0403-06T-XXX-R27-L14	75S	265S	.018	3	87	21
M9-808-0200-030	R100-0403-06T-XXX-R27-L14	75S	265S	.018	3	87	21
M9-808-0500-030	R100-0403-06T-XXX-R27-L14	75S	265S	.018	3	87	21
M9-808-1000-030	R100-0403-06T-XXX-R27-L14	75S	265S	.018	3	87	21

Axcel Photonics Sockets <i>Continued</i>							
Axcel Photonics Sockets Part Number	Andon Part Number Replace "XXX" w with Terminal Type	Terminal Type		Pin Ø [in]	Pin Qty.	Page Number	Figure Number
		Thru-Hole	Surface Mount				
M9-808-1000-130	R100-0403-06T-XXX-R27-L14	75S	265S	.018	3	87	21
M9-808-2000-130	R100-0403-06T-XXX-R27-L14	75S	265S	.018	3	87	21
M9-830-0050-S50	R100-0403-06T-XXX-R27-L14	75S	265S	.018	3	87	21
M9-830-0100-S50	R100-0403-06T-XXX-R27-L14	75S	265S	.018	3	87	21
M9-830-0150-S50	R100-0403-06T-XXX-R27-L14	75S	265S	.018	3	87	21
M9-830-1000-150	R100-0403-06T-XXX-R27-L14	75S	265S	.018	3	87	21
M9-830-2000-150	R100-0403-06T-XXX-R27-L14	75S	265S	.018	3	87	21
M9-852-0100-S50	R100-0403-06T-XXX-R27-L14	75S	265S	.018	3	87	21
M9-852-0150-S50	R100-0403-06T-XXX-R27-L14	75S	265S	.018	3	87	21
M9-905-0100-S50	R100-0403-06T-XXX-R27-L14	75S	265S	.018	3	87	21
M9-905-0500-050	R100-0403-06T-XXX-R27-L14	75S	265S	.018	3	87	21
M9-915-0200-S50	R100-0403-06T-XXX-R27-L14	75S	265S	.018	3	87	21
M9-915-0300-S50	R100-0403-06T-XXX-R27-L14	75S	265S	.018	3	87	21
M9-915-1000-150	R100-0403-06T-XXX-R27-L14	75S	265S	.018	3	87	21
M9-940-0100-S50	R100-0403-06T-XXX-R27-L14	75S	265S	.018	3	87	21
M9-940-0200-S50	R100-0403-06T-XXX-R27-L14	75S	265S	.018	3	87	21

Axetris Division of Leister Sockets							
Axetris Division of Leister Sockets Part Number	Andon Part Number Replace "XXX" w with Terminal Type	Terminal Type		Pin Ø [in]	Pin Qty.	Page Number	Figure Number
		Thru-Hole	Surface Mount				
IRSource	R200-0403-02T-XXX-R27-L14	01S	93S	.018	3	93	54

Baseline® - MOCON®, Inc Sockets							
Baseline - MOCON, Inc Sockets Part Number	Andon Part Number Replace "XXX" w with Terminal Type	Terminal Type		Pin Ø [in]	Pin Qty.	Page Number	Figure Number
		Thru-Hole	Surface Mount				
042-208	R300-SP03-02T-XXX-R27-L14	436P55	440P55	.060	3	103	106
042-616	R300-SP03-02T-XXX-R27-L14	436P55	440P55	.060	3	103	106
042-209	R300-SP03-02T-XXX-R27-L14	436P55	440P55	.060	3	103	106
042-650	R300-SP03-02T-XXX-R27-L14	436P55	440P55	.060	3	103	106
042-651	R300-SP03-02T-XXX-R27-L14	436P55	440P55	.060	3	103	106
042-652	R300-SP03-02T-XXX-R27-L14	436P55	440P55	.060	3	103	106
042-655	R300-SP03-02T-XXX-R27-L14	436P55	440P55	.060	3	103	106
042-699	R300-SP03-02T-XXX-R27-L14	436P55	440P55	.060	3	103	106
042-700	R300-SP03-02T-XXX-R27-L14	436P55	440P55	.060	3	103	106
043-233	R300-SP03-02T-XXX-R27-L14	436P55	440P55	.060	3	103	106
043-234	R300-SP03-02T-XXX-R27-L14	436P55	440P55	.060	3	103	106
043-235	R300-SP03-02T-XXX-R27-L14	436P55	440P55	.060	3	103	106
043-239	R300-SP03-02T-XXX-R27-L14	436P55	440P55	.060	3	103	106
043-240	R300-SP03-02T-XXX-R27-L14	436P55	440P55	.060	3	103	106
043-241	R300-SP03-02T-XXX-R27-L14	436P55	440P55	.060	3	103	106

Blue Sky Research Sockets							
Blue Sky Research Sockets Part Number	Andon Part Number Replace "XXX" w with Terminal Type	Terminal Type		Pin Ø [in]	Pin Qty.	Page Number	Figure Number
		Thru-Hole	Surface Mount				
PS0202-00	R100-0403-01T-XXX-R27-L14	75S	265S	.018	3	87	18
PS021-00	R100-0403-01T-XXX-R27-L14	75S	265S	.018	3	87	18
PS024-00	R100-0403-01T-XXX-R27-L14	75S	265S	.018	3	87	18
PS025-00	R100-0403-01T-XXX-R27-L14	75S	265S	.018	3	87	18
PS026-00	R100-0403-01T-XXX-R27-L14	75S	265S	.018	3	87	18
PS027-00	R100-0403-01T-XXX-R27-L14	75S	265S	.018	3	87	18
PS028-00	R100-0403-01T-XXX-R27-L14	75S	265S	.018	3	87	18
PS031-00	R100-0403-01T-XXX-R27-L14	75S	265S	.018	3	87	18
PS045-00	R100-0403-01T-XXX-R27-L14	75S	265S	.018	3	87	18
PS046-00	R100-0403-01T-XXX-R27-L14	75S	265S	.018	3	87	18

Blue Sky Research Sockets <i>Continued</i>							
Blue Sky Research Sockets Part Number	Andon Part Number Replace "XXX" w with Terminal Type	Terminal Type		Pin Ø [in]	Pin Qty.	Page Number	Figure Number
		Thru-Hole	Surface Mount				
PS047-00	R100-0403-01T-XXX-R27-L14	75S	265S	.018	3	87	18
PS048-00	R100-0403-01T-XXX-R27-L14	75S	265S	.018	3	87	18
PS103-00	R080-0403-01N-XXX-R27-L14	274K	281K	.018	3	86	9
PS104-00	R080-0403-01N-XXX-R27-L14	274K	281K	.018	3	86	9
PS105-00	R080-0403-01N-XXX-R27-L14	274K	281K	.018	3	86	9
PS106-00	R080-0403-01N-XXX-R27-L14	274K	281K	.018	3	86	9
PS107-00	R080-0403-01N-XXX-R27-L14	274K	281K	.018	3	86	9
PS110-00	R080-0403-01N-XXX-R27-L14	274K	281K	.018	3	86	9
PS111-00	R080-0403-01N-XXX-R27-L14	274K	281K	.018	3	86	9
PS112-00	R080-0403-01N-XXX-R27-L14	274K	281K	.018	3	86	9
PS113-00	R080-0403-01N-XXX-R27-L14	274K	281K	.018	3	86	9
PS120-00	R080-0403-01N-XXX-R27-L14	274K	281K	.018	3	86	9
PS122-00	R080-0403-01N-XXX-R27-L14	274K	281K	.018	3	86	9
PS123-00	R080-0403-01N-XXX-R27-L14	274K	281K	.018	3	86	9
VPSSL-0635-003-X-5-B	R080-0403-01N-XXX-R27-L14	274K	281K	.018	3	86	9
VPSSL-0635-005-X-5-A	R080-0403-01N-XXX-R27-L14	274K	281K	.018	3	86	9
VPSSL-0635-005-X-5-C	R080-0403-01N-XXX-R27-L14	274K	281K	.018	3	86	9
VPSSL-0635-005-X-9-C	R100-0403-01T-XXX-R27-L14	75S	265S	.018	3	87	18
VPSSL-0635-010-A-9-C	R100-0403-01T-XXX-R27-L14	75S	265S	.018	3	87	18
VPSSL-0635-010-X-5-B	R080-0403-01N-XXX-R27-L14	274K	281K	.018	3	86	9
VPSSL-0635-010-X-9-C	R100-0403-01T-XXX-R27-L14	75S	265S	.018	3	87	18
VPSSL-0635-015-X-9-C	R100-0403-01T-XXX-R27-L14	75S	265S	.018	3	87	18
VPSSL-0637-005-X-5-B	R080-0403-01N-XXX-R27-L14	274K	281K	.018	3	86	9
VPSSL-0639-035-X-5-B	R100-0403-01T-XXX-R27-L14	75S	265S	.018	3	87	18
VPSSL-0650-005-X-5-B	R100-0403-01T-XXX-R27-L14	75S	265S	.018	3	87	18
VPSSL-0655-005-X-5-B	R100-0403-01T-XXX-R27-L14	75S	265S	.018	3	87	18
VPSSL-0658-035-X-5-A	R100-0403-01T-XXX-R27-L14	75S	265S	.018	3	87	18
VPSSL-0658-050-H-5-G	R080-0403-01N-XXX-R27-L14	274K	281K	.018	3	86	9
VPSSL-0658-080-H-5-F	R080-0403-01N-XXX-R27-L14	274K	281K	.018	3	86	9
VPSSL-0670-005-H-9-B	R100-0403-01T-XXX-R27-L14	75S	265S	.018	3	87	18
VPSSL-0670-010-X-9-C	R100-0403-01T-XXX-R27-L14	75S	265S	.018	3	87	18
VPSSL-0690-035-X-5-A	R080-0403-01N-XXX-R27-L14	274K	281K	.018	3	86	9
VPSSL-0785-025-S-5-B	R080-0403-01N-XXX-R27-L14	274K	281K	.018	3	86	9
VPSSL-0785-050-X-9-C	R100-0403-01T-XXX-R27-L14	75S	265S	.018	3	87	18
VPSSL-0785-070-S-5-B	R080-0403-01N-XXX-R27-L14	274K	281K	.018	3	86	9
VPSSL-0785-070-X-5-A	R080-0403-01N-XXX-R27-L14	274K	281K	.018	3	86	9
VPSSL-0808-150-S-9-C	R100-0403-01T-XXX-R27-L14	75S	265S	.018	3	87	18
VPSSL-0809-150-X-9-C	R100-0403-01T-XXX-R27-L14	75S	265S	.018	3	87	18
VPSSL-0810-100-Y-9-C	R100-0403-01T-XXX-R27-L14	75S	265S	.018	3	87	18
VPSSL-0830-030-X-9-C	R100-0403-01T-XXX-R27-L14	75S	265S	.018	3	87	18
VPSSL-0830-040-X-9-D	R100-0403-01T-XXX-R27-L14	75S	265S	.018	3	87	18
VPSSL-0830-150-S-9-C	R100-0403-01T-XXX-R27-L14	75S	265S	.018	3	87	18
VPSSL-0830-200-X-9-C	R100-0403-01T-XXX-R27-L14	75S	265S	.018	3	87	18
VPSSL-0852-050-X-9-C	R100-0403-01T-XXX-R27-L14	75S	265S	.018	3	87	18
VPSSL-0852-150-X-9-C	R100-0403-01T-XXX-R27-L14	75S	265S	.018	3	87	18

Boston Electronics Corp. Sockets							
Boston Electronics Corp. Sockets Part Number	Andon Part Number Replace "XXX" w with Terminal Type	Terminal Type		Pin Ø [in]	Pin Qty.	Page Number	Figure Number
		Thru-Hole	Surface Mount				
SG01S-HT	R100-0402-01T-XXX-R27-L14	75S	265S	.018	2	86	12
SG01S-C18	R100-0402-01T-XXX-R27-L14	75S	265S	.018	2	86	12
SG01S	R100-0402-01T-XXX-R27-L14	75S	265S	.018	2	86	12
SG01S-S	R100-0402-01T-XXX-R27-L14	75S	265S	.018	2	86	12
SG01-M	R100-0402-01T-XXX-R27-L14	75S	265S	.018	2	86	12

Boston Electronics Corp. Sockets <i>Continued</i>							
Boston Electronics Corp. Sockets Part Number	Andon Part Number Replace "XXX" w/ith Terminal Type	Terminal Type		Pin Ø [in]	Pin Qty.	Page Number	Figure Number
		Thru-Hole	Surface Mount				
SG01L-18	R100-0402-01T-XXX-R27-L14	75S	265S	.018	2	86	12
TW30SX	R100-0402-01T-XXX-R27-L14	75S	265S	.018	2	86	12
AG 28S	R100-0402-01T-XXX-R27-L14	75S	265S	.018	2	86	12
AG 32S	R100-0402-01T-XXX-R27-L14	75S	265S	.018	2	86	12
AG 38S	R100-0402-01T-XXX-R27-L14	75S	265S	.018	2	86	12
TW30DZ	R100-0402-01T-XXX-R27-L14	75S	265S	.018	2	86	12
TW30DY2	R100-0402-01T-XXX-R27-L14	75S	265S	.018	2	86	12
TW30DY	R100-0402-01T-XXX-R27-L14	75S	265S	.018	2	86	12
TW30SY	R100-0402-01T-XXX-R27-L14	75S	265S	.018	2	86	12
SG01M-C	R100-0402-01T-XXX-R27-L14	75S	265S	.018	2	86	12
SG01L-C	R100-0402-01T-XXX-R27-L14	75S	265S	.018	2	86	12
SG01L-5	R100-0402-01T-XXX-R27-L14	75S	265S	.018	2	86	12
SG01S-5	R100-0402-01T-XXX-R27-L14	75S	265S	.018	2	86	12
IR-12 Emitter	R200-0402-02T-XXX-R27-L14	433E	285E	.040	2	92	50
IR-21 Emitter	R200-0402-02T-XXX-R27-L14	433E	285E	.040	2	92	50
IR-30 Emitter	R230-0402-01T-XXX-R27-L14	01S	93S	.018	2	98	82
IR-40 Emitter	R100-0402-01T-XXX-R27-L14	75S	265S	.018	2	86	12
IR-43 Emitter	R100-0402-01T-XXX-R27-L14	75S	265S	.018	2	86	12
HTPA	R375-SP16-02T-XXX-R27-L14	441V	442V	.030	16	107	126
HMS Z11-F5.5	R100-0402-02T-XXX-R27-L14	437T	329T	.010	2	86	13
HTS A11	R200-0404-01T-XXX-R27-L14	01S	93S	.018	4	94	58
HTS B21	R200-0404-01T-XXX-R27-L14	01S	93S	.018	4	94	58
HTS C21	R200-0404-01T-XXX-R27-L14	01S	93S	.018	4	94	58
HTS B31	R200-0404-01T-XXX-R27-L14	01S	93S	.018	4	94	58
HTS C31	R200-0404-01T-XXX-R27-L14	01S	93S	.018	4	94	58
HMS Z11	R100-0404-01T-XXX-R27-L14	400T4	414T4	.012	4	88	22
HMS J11	R100-0404-01T-XXX-R27-L14	75S	265S	.018	4	88	23
HMS J21	R100-0404-01T-XXX-R27-L14	75S	265S	.018	4	88	23
HPS K09C	R100-0404-01T-XXX-R27-L14	75S	265S	.018	4	88	23
HPS K10C	R100-0404-01T-XXX-R27-L14	75S	265S	.018	4	88	23
HPS A01B	R200-0403-03T-XXX-R27-L14	01S	93S	.018	3	93	56
HPS A01E	R200-0403-03T-XXX-R27-L14	01S	93S	.018	3	93	56
HPS A02A	R200-0403-03T-XXX-R27-L14	01S	93S	.018	3	93	56
HPS A02B	R200-0403-03T-XXX-R27-L14	01S	93S	.018	3	93	56
HPS A02E	R200-0403-03T-XXX-R27-L14	01S	93S	.018	3	93	56
HPS A03E	R200-0403-03T-XXX-R27-L14	01S	93S	.018	3	93	56
HPS A08E	R200-0403-03T-XXX-R27-L14	01S	93S	.018	3	93	56
HPS A04G	R200-0403-03T-XXX-R27-L14	01S	93S	.018	3	93	56
HPS A05F	R200-0403-03T-XXX-R27-L14	01S	93S	.018	3	93	56
HPS D10E	R200-0403-03T-XXX-R27-L14	01S	93S	.018	3	93	56
HPS E09E	R200-0403-03T-XXX-R27-L14	01S	93S	.018	3	93	56
HPS E10E	R200-0403-03T-XXX-R27-L14	01S	93S	.018	3	93	56
HPS E29E	R200-0403-03T-XXX-R27-L14	01S	93S	.018	3	93	56
HPS E30E	R200-0403-03T-XXX-R27-L14	01S	93S	.018	3	93	56
HSL 5/115/S	R100-0402-01T-XXX-R27-L14	75S	265S	.018	2	86	12
HPS Q10E	R400-SP12-02T-XXX-R27-L14	01S	93S	.018	12	111	143
HPS D30E	R400-SP12-02T-XXX-R27-L14	01S	93S	.018	12	111	143
HTS Q21	R200-0806-01T-XXX-R27-L14	211S	384S	.018	6	94	62
HTS E21	R200-0404-01T-XXX-R27-L14	01S	93S	.018	4	94	58
HTS E31	R200-0404-01T-XXX-R27-L14	01S	93S	.018	4	94	58
EP- Series	R437-0402-01T-XXX-R27-L14	01S	93S	.018	2	111	146
EK- Series	R437-0402-01T-XXX-R27-L14	01S	93S	.018	2	111	146
EF-Series	R437-0402-01T-XXX-R27-L14	01S	93S	.018	2	111	146
EP-3872	R437-0402-01T-XXX-R27-L14	01S	93S	.018	2	111	146
EP-3962	R437-0402-01T-XXX-R27-L14	01S	93S	.018	2	111	146

Boston Electronics Corp. Sockets <i>Continued</i>							
Boston Electronics Corp. Sockets Part Number	Andon Part Number Replace "XXX" w ith Terminal Type	Terminal Type		Pin Ø [in]	Pin Qty.	Page Number	Figure Number
		Thru-Hole	Surface Mount				
EP-3963	R437-0402-01T-XXX-R27-L14	01S	93S	.018	2	111	146
EP-3964	R437-0402-01T-XXX-R27-L14	01S	93S	.018	2	111	146
EP-3965	R437-0402-01T-XXX-R27-L14	01S	93S	.018	2	111	146
EF-8530	R437-0402-01T-XXX-R27-L14	01S	93S	.018	2	111	146
EF-8531	R437-0402-01T-XXX-R27-L14	01S	93S	.018	2	111	146
EF-8532	R437-0402-01T-XXX-R27-L14	01S	93S	.018	2	111	146
EF-8533	R437-0402-01T-XXX-R27-L14	01S	93S	.018	2	111	146
EK-8520	R437-0402-01T-XXX-R27-L14	01S	93S	.018	2	111	146
EK-8521	R437-0402-01T-XXX-R27-L14	01S	93S	.018	2	111	146
EK-8522	R437-0402-01T-XXX-R27-L14	01S	93S	.018	2	111	146
EK-8523	R437-0402-01T-XXX-R27-L14	01S	93S	.018	2	111	146
reflectIR-P1N	R100-0402-01T-XXX-R27-L14	75S	265S	.018	2	86	12
reflectIR-P1S	R100-0402-01T-XXX-R27-L14	75S	265S	.018	2	86	12
reflectIR-P1C	R100-0402-01T-XXX-R27-L14	75S	265S	.018	2	86	12
NL8LNC	R212-SP02-01T-XXX-R27-L14	01S	93S	.018	2	98	79
NM8ASC	R212-SP02-01T-XXX-R27-L14	01S	93S	.018	2	98	79
NL8ACC	R212-SP02-01T-XXX-R27-L14	01S	93S	.018	2	98	79
NL82LNC	R377-SP06-01T-XXX-R27-L14	75S	265S	.018	6	107	127
NM82ASC	R377-SP06-01T-XXX-R27-L14	75S	265S	.018	6	107	127
NL82ACC	R377-SP06-01T-XXX-R27-L14	75S	265S	.018	6	107	127
NL84LNC	R377-SP06-01T-XXX-R27-L14	75S	265S	.018	6	107	127
NM84ASC	R377-SP06-01T-XXX-R27-L14	75S	265S	.018	6	107	127
NL84ACC	R377-SP06-01T-XXX-R27-L14	75S	265S	.018	6	107	127
NL5LNC	R163-SP02-01T-XXX-R27-L14	01S	93S	.018	2	90	41
NM5NSC	R163-SP02-01T-XXX-R27-L14	01S	93S	.018	2	90	41
NL5NGS	R163-SP02-01T-XXX-R27-L14	01S	93S	.018	2	90	41
NL5NCC	R163-SP02-01T-XXX-R27-L14	01S	93S	.018	2	90	41
NL46LNX	R100-0402-01T-XXX-R27-L14	75S	265S	.018	2	86	12

CalSensors, Inc. Sockets							
CalSensors, Inc. Sockets Part Number	Andon Part Number Replace "XXX" w ith Terminal Type	Terminal Type		Pin Ø [in]	Pin Qty.	Page Number	Figure Number
		Thru-Hole	Surface Mount				
AP-103	F700-SP11-01-XXX-R27-L14	433E	285E	.040	11	125	210
AP-15	F500-SP07-01-XXX-R27-L14	433E	285E	.040	7	124	207
AP-1X35	F500-SP07-01-XXX-R27-L14	433E	285E	.040	7	124	207
AP-1X55	F500-SP07-01-XXX-R27-L14	433E	285E	.040	7	124	207
AP-25	F500-SP07-01-XXX-R27-L14	433E	285E	.040	7	124	207
AP-2X55	F500-SP07-01-XXX-R27-L14	433E	285E	.040	7	124	207
AP-35	F500-SP07-01-XXX-R27-L14	433E	285E	.040	7	124	207
AT1-17	F200-1006-02-XXX-R27-L14	274K	281K	.018	6	123	197
AT1-18	F490-SP02-01-XXX-R27-L14	433E	285E	.040	2	124	205
AT1-27	F200-1006-02-XXX-R27-L14	274K	281K	.018	6	123	197
AT1-28	F490-SP02-01-XXX-R27-L14	433E	285E	.040	2	124	205
AT1-37	F500-SP07-01-XXX-R27-L14	433E	285E	.040	7	124	207
AT1-38	F490-SP02-01-XXX-R27-L14	433E	285E	.040	2	124	205
AT1S-103	F500-SP09-01-XXX-R27-L14	433E	285E	.040	9	125	208
AT1S-46	F375-SP06-01-XXX-R27-L14	274K	281K	.018	6	123	201
AT1S-48	F375-SP06-01-XXX-R27-L14	274K	281K	.018	6	123	201
AT1S-56	F375-SP06-01-XXX-R27-L14	274K	281K	.018	6	123	201
AT1S-58	F490-SP02-01-XXX-R27-L14	433E	285E	.040	2	124	205
AT1S-66	F375-SP06-01-XXX-R27-L14	274K	281K	.018	6	123	201
AT1S-68	F200-1006-02-XXX-R27-L14	274K	281K	.018	6	123	197
AT2-17	F500-SP09-01-XXX-R27-L14	433E	285E	.040	9	125	208
AT2-18	F490-SP02-01-XXX-R27-L14	433E	285E	.040	2	124	205

CalSensors, Inc. Sockets <i>Continued</i>							
CalSensors, Inc. Sockets Part Number	Andon Part Number Replace "XXX" w/with Terminal Type	Terminal Type		Pin Ø [in]	Pin Qty.	Page Number	Figure Number
		Thru-Hole	Surface Mount				
AT2-27	F200-1006-02-XXX-R27-L14	274K	281K	.018	6	123	197
AT2-28	F490-SP02-01-XXX-R27-L14	433E	285E	.040	2	124	205
AT2-37	F200-1006-02-XXX-R27-L14	274K	281K	.018	6	123	197
AT2-38	F490-SP02-01-XXX-R27-L14	433E	285E	.040	2	124	205
AT2S-16	F375-SP06-01-XXX-R27-L14	274K	281K	.018	6	123	201
AT2S-18	F490-SP02-01-XXX-R27-L14	433E	285E	.040	2	124	205
AT2S-26	F375-SP06-01-XXX-R27-L14	274K	281K	.018	6	123	201
AT2S-28	F490-SP02-01-XXX-R27-L14	433E	285E	.040	2	124	205
AT2S-36	F375-SP06-01-XXX-R27-L14	274K	281K	.018	6	123	201
AT2S-46	F375-SP06-01-XXX-R27-L14	274K	281K	.018	6	123	201
AT2S-56	F375-SP06-01-XXX-R27-L14	274K	281K	.018	6	123	201
AT2S-58	F490-SP02-01-XXX-R27-L14	433E	285E	.040	2	124	205
AT2S-66	F375-SP06-01-XXX-R27-L14	274K	281K	.018	6	123	201
AT2S-68	F490-SP02-01-XXX-R27-L14	433E	285E	.040	2	124	205
BXP-103	F500-SP09-01-XXX-R27-L14	433E	285E	.040	9	125	208
BXP-15	F500-SP07-01-XXX-R27-L14	433E	285E	.040	7	124	207
BXP-25	F500-SP07-01-XXX-R27-L14	433E	285E	.040	7	124	207
BXP-35	F500-SP07-01-XXX-R27-L14	433E	285E	.040	7	124	207
BXT1-17	F200-1006-02-XXX-R27-L14	274K	281K	.018	6	123	197
BXT1-18	F490-SP02-01-XXX-R27-L14	433E	285E	.040	2	124	205
BXT1-27	F200-1006-02-XXX-R27-L14	274K	281K	.018	6	123	197
BXT1-28	F490-SP02-01-XXX-R27-L14	433E	285E	.040	2	124	205
BXT1-37	F200-1006-02-XXX-R27-L14	274K	281K	.018	6	123	197
BXT1-38	F490-SP02-01-XXX-R27-L14	433E	285E	.040	2	124	205
BXT1S-103	F500-SP09-01-XXX-R27-L14	433E	285E	.040	9	125	208
BXT1S-46	F375-SP06-01-XXX-R27-L14	274K	281K	.018	6	123	201
BXT1S-48	F490-SP02-01-XXX-R27-L14	433E	285E	.040	2	124	205
BXT1S-56	F375-SP06-01-XXX-R27-L14	274K	281K	.018	6	123	201
BXT1S-58	F490-SP02-01-XXX-R27-L14	433E	285E	.040	2	124	205
BXT1S-66	F375-SP06-01-XXX-R27-L14	274K	281K	.018	6	123	201
BXT1S-68	F490-SP02-01-XXX-R27-L14	433E	285E	.040	2	124	205
BXT2-17	F200-1006-02-XXX-R27-L14	274K	281K	.018	6	123	197
BXT2-18	F490-SP02-01-XXX-R27-L14	433E	285E	.040	2	124	205
BXT2-27	F200-1006-02-XXX-R27-L14	274K	281K	.018	6	123	197
BXT2-28	F490-SP02-01-XXX-R27-L14	433E	285E	.040	2	124	205
BXT2-37	F200-1006-02-XXX-R27-L14	274K	281K	.018	6	123	197
BXT2-38	F490-SP02-01-XXX-R27-L14	433E	285E	.040	2	124	205
BXT2-47	F500-SP09-01-XXX-R27-L14	433E	285E	.040	9	125	208
BXT2-48	F490-SP02-01-XXX-R27-L14	433E	285E	.040	2	124	205
BXT2S-16	F375-SP06-01-XXX-R27-L14	274K	281K	.018	6	123	201
BXT2S-18	F490-SP02-01-XXX-R27-L14	433E	285E	.040	2	124	205
BXT2S-26	F375-SP06-01-XXX-R27-L14	274K	281K	.018	6	123	201
BXT2S-28	F490-SP02-01-XXX-R27-L14	433E	285E	.040	2	124	205
BXT2S-36	F375-SP06-01-XXX-R27-L14	274K	281K	.018	6	123	201
BXT2S-38	F490-SP02-01-XXX-R27-L14	433E	285E	.040	2	124	205
BXT2S-46	F375-SP06-01-XXX-R27-L14	274K	281K	.018	6	123	201
BXT2S-48	F490-SP02-01-XXX-R27-L14	433E	285E	.040	2	124	205
BXT2S-56	F375-SP06-01-XXX-R27-L14	274K	281K	.018	6	123	201
BXT2S-58	F490-SP02-01-XXX-R27-L14	433E	285E	.040	2	124	205
BXT2S-66	F375-SP06-01-XXX-R27-L14	274K	281K	.018	6	123	201
BXT2S-68	F490-SP02-01-XXX-R27-L14	433E	285E	.040	2	124	205

Centronic Sockets							
Centronic Sockets Part Number	Andon Part Number Replace "XXX" w ith Terminal Type	Terminal Type		Pin Ø [in]	Pin Qty.	Page Number	Figure Number
		Thru-Hole	Surface Mount				
AEPX008	R100-0403-01T-XXX-R27-L14	75S	265S	.018	3	87	18
AEPX04	R100-0403-01T-XXX-R27-L14	75S	265S	.018	3	87	18
AEPX10	R100-0403-01T-XXX-R27-L14	75S	265S	.018	3	87	18
AEPX20	R100-0403-01T-XXX-R27-L14	75S	265S	.018	3	87	18
AEPX35	R100-0403-01T-XXX-R27-L14	75S	265S	.018	3	87	18
AEPX65	R100-0403-01T-XXX-R27-L14	75S	265S	.018	3	87	18
AEPX65R2F	R100-0403-01T-XXX-R27-L14	75S	265S	.018	3	87	18
AX65R2F	R100-0403-01T-XXX-R27-L14	75S	265S	.018	3	87	18
BPX65	R100-0403-01T-XXX-R27-L14	75S	265S	.018	3	87	18
BPX65RT	R100-0403-01T-XXX-R27-L14	75S	265S	.018	3	87	18
LD2A-0	R200-0403-02T-XXX-R27-L14	01S	93S	.018	3	93	54
LD2A-1	R200-0403-02T-XXX-R27-L14	01S	93S	.018	3	93	54
LD2A-5T	R200-0403-02T-XXX-R27-L14	01S	93S	.018	3	93	54
LD2B-0	R200-0403-02T-XXX-R27-L14	01S	93S	.018	3	93	54
LD2B-1	R200-0403-02T-XXX-R27-L14	01S	93S	.018	3	93	54
LD2B-5T	R200-0403-02T-XXX-R27-L14	01S	93S	.018	3	93	54
LD2C-5T	R100-0403-01T-XXX-R27-L14	75S	265S	.018	3	87	18
LD4C-5T	R200-0806-03T-XXX-R27-L14	75S	265S	.018	6	95	64
OSD1.2-7	R100-0402-06T-XXX-R27-L14	75S	265S	.018	2	87	17
OSD100-0	R750-1806-01T-XXX-R27-L14	01S	93S	.018	6	119	184
OSD100-1	R750-1806-01T-XXX-R27-L14	01S	93S	.018	6	119	184
OSD100-3T	R750-1806-01T-XXX-R27-L14	01S	93S	.018	6	119	184
OSD100-4X	R750-1806-01T-XXX-R27-L14	01S	93S	.018	6	119	184
OSD100-5T	R750-1806-01T-XXX-R27-L14	01S	93S	.018	6	119	184
OSD100-7	R750-1806-01T-XXX-R27-L14	01S	93S	.018	6	119	184
OSD100-E	R750-1806-01T-XXX-R27-L14	01S	93S	.018	6	119	184
OSD100-P	R750-1806-01T-XXX-R27-L14	01S	93S	.018	6	119	184
OSD1-1	R100-0402-06T-XXX-R27-L14	75S	265S	.018	2	87	17
OSD1-3T	R100-0402-06T-XXX-R27-L14	75S	265S	.018	2	87	17
OSD1-4X	R100-0402-06T-XXX-R27-L14	75S	265S	.018	2	87	17
OSD15-0	R200-0402-02T-XXX-R27-L14	01S	93S	.018	2	92	49
OSD15-1	R200-0402-02T-XXX-R27-L14	01S	93S	.018	2	92	49
OSD15-3T	R200-0403-02T-XXX-R27-L14	01S	93S	.018	3	93	54
OSD15-5T	R200-0402-02T-XXX-R27-L14	01S	93S	.018	2	92	49
OSD15-E	R200-0402-02T-XXX-R27-L14	01S	93S	.018	2	92	49
OSD300-5T	R1100-SP06-01T-XXX-R27-L14	01S	93S	.018	6	120	188
OSD35-3T	R295-0403-01T-XXX-R27-L14	01S	93S	.018	3	102	102
OSD35-5T	R295-0403-01T-XXX-R27-L14	01S	93S	.018	3	102	102
OSD35-7	R295-0403-01T-XXX-R27-L14	01S	93S	.018	3	102	102
OSD3-5T	R100-0402-06T-XXX-R27-L14	75S	265S	.018	2	87	17
OSD5.8-7	R200-0402-02T-XXX-R27-L14	01S	93S	.018	2	92	49
OSD5-0	R200-0402-02T-XXX-R27-L14	01S	93S	.018	2	92	49
OSD50-0	R400-0803-01T-XXX-R27-L14	01S	93S	.018	3	109	133
OSD50-1	R200-0402-02T-XXX-R27-L14	01S	93S	.018	2	92	49
OSD50-3T	R295-0403-01T-XXX-R27-L14	01S	93S	.018	3	102	102
OSD50-4X	R295-0403-01T-XXX-R27-L14	01S	93S	.018	3	102	102
OSD50-5T	R400-0803-01T-XXX-R27-L14	01S	93S	.018	3	109	133
OSD50-E	R400-0803-01T-XXX-R27-L14	01S	93S	.018	3	109	133
OSD5-1	R200-0402-02T-XXX-R27-L14	01S	93S	.018	2	92	49
OSD5-3T	R200-0403-02T-XXX-R27-L14	01S	93S	.018	3	93	54
OSD5-4X	R200-0404-01T-XXX-R27-L14	01S	93S	.018	4	94	58
OSD5-5T	R200-0402-02T-XXX-R27-L14	01S	93S	.018	2	92	49
OSD5-E	R200-0402-02T-XXX-R27-L14	01S	93S	.018	2	92	49
OSD60-3T	R295-0403-01T-XXX-R27-L14	01S	93S	.018	3	102	102
OSD60-5T	R400-0803-01T-XXX-R27-L14	01S	93S	.018	3	109	133

Centronic Sockets <i>Continued</i>							
Centronic Sockets Part Number	Andon Part Number Replace "XXX" w with Terminal Type	Terminal Type		Pin Ø [in]	Pin Qty.	Page Number	Figure Number
		Thru-Hole	Surface Mount				
OSD60-E	R400-0803-01T-XXX-R27-L14	01S	93S	.018	3	109	133
OSD7.5-5T	R200-0402-02T-XXX-R27-L14	01S	93S	.018	2	92	49
OSD7.5-E	R200-0402-02T-XXX-R27-L14	01S	93S	.018	2	92	49
Q7-0	R230-1010-01T-XXX-R27-L14	211S	265S	.018	10	99	87
QD100-0	R750-1806-01T-XXX-R27-L14	01S	93S	.018	6	119	184
QD100-1	R750-1806-01T-XXX-R27-L14	01S	93S	.018	6	119	184
QD100-4X	R750-1806-01T-XXX-R27-L14	01S	93S	.018	6	119	184
QD100-5T	R750-1806-01T-XXX-R27-L14	01S	93S	.018	6	119	184
QD320-4X	R1100-SP06-01T-XXX-R27-L14	01S	93S	.018	6	120	188
QD50-0	R395-SP06-01T-XXX-R27-L14	01S	93S	.018	6	108	130
QD50-1	R395-SP06-01T-XXX-R27-L14	01S	93S	.018	6	108	130
QD50-4X	R395-SP06-01T-XXX-R27-L14	01S	93S	.018	6	108	130
QD50-5T	R395-SP06-01T-XXX-R27-L14	01S	93S	.018	6	108	130
QD7-1	R230-1010-01T-XXX-R27-L14	211S	265S	.018	10	99	87
QD7-5T	R230-1010-01T-XXX-R27-L14	211S	265S	.018	10	99	87
X65EB	R100-0402-02T-XXX-R27-L14	01S	93S	.018	2	86	14

City Technology Sockets							
City Technology Sockets Part Number	Andon Part Number Replace "XXX" w with Terminal Type	Terminal Type		Pin Ø [in]	Pin Qty.	Page Number	Figure Number
		Thru-Hole	Surface Mount				
2CF	R530-0403-02N-XXX-R27-L14	436P55	440P55	.060	3	114	162
2E/F	R1350-SP03-01T-XXX-R27-L14	433E	285E	.040	3	121	190
3CLH	R1350-SP03-01T-XXX-R27-L14	433E	285E	.040	3	121	190
3E	R1350-SP03-01T-XXX-R27-L14	433E	285E	.040	3	121	190
3E/F	R1350-SP03-01T-XXX-R27-L14	433E	285E	.040	3	121	190
3ETO	R1350-SP03-01T-XXX-R27-L14	433E	285E	.040	3	121	190
3H	R1350-SP03-01T-XXX-R27-L14	433E	285E	.040	3	121	190
3H/LM	R1350-SP03-01T-XXX-R27-L14	433E	285E	.040	3	121	190
3HCN	R1350-SP03-01T-XXX-R27-L14	433E	285E	.040	3	121	190
3HH	R1350-SP03-01T-XXX-R27-L14	433E	285E	.040	3	121	190
3HH/LM	R1350-SP03-01T-XXX-R27-L14	433E	285E	.040	3	121	190
3HL	R1350-SP03-01T-XXX-R27-L14	433E	285E	.040	3	121	190
3HYE	R1350-SP03-01T-XXX-R27-L14	433E	285E	.040	3	121	190
3HYT	R1350-SP03-01T-XXX-R27-L14	433E	285E	.040	3	121	190
3NDH	R1350-SP03-01T-XXX-R27-L14	433E	285E	.040	3	121	190
3NT	R1350-SP03-01T-XXX-R27-L14	433E	285E	.040	3	121	190
3OZ	R1350-SP03-01T-XXX-R27-L14	433E	285E	.040	3	121	190
3SH	R1350-SP03-01T-XXX-R27-L14	433E	285E	.040	3	121	190
3ST/F	R1350-SP03-01T-XXX-R27-L14	433E	285E	.040	3	121	190
4CF	R530-0403-02N-XXX-R27-L14	436P55	440P55	.060	3	114	162
4CL	R530-0403-02N-XXX-R27-L14	436P55	440P55	.060	3	114	162
4CO	R530-0403-02N-XXX-R27-L14	436P55	440P55	.060	3	114	162
4COSH	R530-SP04-01T-XXX-R27-L14	436P55	440P55	.060	4	115	165
4ETO	R530-0403-02N-XXX-R27-L14	436P55	440P55	.060	3	114	162
4H	R530-0403-02N-XXX-R27-L14	436P55	440P55	.060	3	114	162
4H/LM	R530-0403-02N-XXX-R27-L14	436P55	440P55	.060	3	114	162
4HN	R530-0403-02N-XXX-R27-L14	436P55	440P55	.060	3	114	162
4HS/LM	R530-0403-02N-XXX-R27-L14	436P55	440P55	.060	3	114	162
4HYT	R530-0403-02N-XXX-R27-L14	436P55	440P55	.060	3	114	162
4ND	R530-0403-02N-XXX-R27-L14	436P55	440P55	.060	3	114	162
4NT	R530-0403-02N-XXX-R27-L14	436P55	440P55	.060	3	114	162
4OX-1	R530-SP03-01T-XXX-R27-L14	436P55	440P55	.060	3	115	164
4OX-2	R530-SP03-01T-XXX-R27-L14	436P55	440P55	.060	3	115	164
4P-50	R300-SP03-02T-XXX-R27-L14	436P55	440P55	.060	3	103	106
4P-50C	R300-SP03-02T-XXX-R27-L14	436P55	440P55	.060	3	103	106

City Technology Sockets <i>Continued</i>							
City Technology Sockets Part Number	Andon Part Number Replace "XXX" w ith Terminal Type	Terminal Type		Pin Ø [in]	Pin Qty.	Page Number	Figure Number
		Thru-Hole	Surface Mount				
4P-50M	R300-SP03-02T-XXX-R27-L14	436P55	440P55	.060	3	103	106
4P-90	R300-SP03-02T-XXX-R27-L14	436P55	440P55	.060	3	103	106
4P-90C	R300-SP03-02T-XXX-R27-L14	436P55	440P55	.060	3	103	106
4P-90M	R300-SP03-02T-XXX-R27-L14	436P55	440P55	.060	3	103	106
4P-100	R300-SP03-02T-XXX-R27-L14	436P55	440P55	.060	3	103	106
4P-200	R300-SP03-02T-XXX-R27-L14	436P55	440P55	.060	3	103	106
4S	R530-0403-02N-XXX-R27-L14	436P55	440P55	.060	3	114	162
52CF	R670-SP03-01T-XXX-R27-L14	436P55	440P55	.060	3	117	174
52CO	R670-SP03-01T-XXX-R27-L14	436P55	440P55	.060	3	117	174
5F	R670-0804-02N-XXX-R27-L14	433E	285E	.040	4	116	171
5NF	R670-0804-02N-XXX-R27-L14	433E	285E	.040	4	116	171
5FO	R670-0802-01T-XXX-R27-L14	436P55	440P55	.060	2	116	168
7CLH	R670-0804-02N-XXX-R27-L14	433E	285E	.040	4	116	171
7E	R670-0804-02N-XXX-R27-L14	433E	285E	.040	4	116	171
7E/F	R670-0804-02N-XXX-R27-L14	433E	285E	.040	4	116	171
7ETO	R670-0804-02N-XXX-R27-L14	433E	285E	.040	4	116	171
7H	R670-0804-02N-XXX-R27-L14	433E	285E	.040	4	116	171
7H/LM	R670-0804-02N-XXX-R27-L14	433E	285E	.040	4	116	171
7HCN	R670-0804-02N-XXX-R27-L14	433E	285E	.040	4	116	171
7HH	R670-0804-02N-XXX-R27-L14	433E	285E	.040	4	116	171
7HH/LM	R670-0804-02N-XXX-R27-L14	433E	285E	.040	4	116	171
7HL	R670-0804-02N-XXX-R27-L14	433E	285E	.040	4	116	171
7HYE	R670-0804-02N-XXX-R15-L14	433E	285E	.040	4	116	171
7HYT	R670-0804-02N-XXX-R27-L14	433E	285E	.040	4	116	171
7NDH	R670-0804-02N-XXX-R27-L14	433E	285E	.040	4	116	171
7NT	R670-0804-02N-XXX-R27-L14	433E	285E	.040	4	116	171
7OX-V	R670-SP02-03T-XXX-R27-L14	433E	285E	.040	2	117	173
7OZ	R670-0804-02N-XXX-R27-L14	433E	285E	.040	4	116	171
7SH	R670-0804-02N-XXX-R27-L14	433E	285E	.040	4	116	171
7ST/F	R670-0804-02N-XXX-R27-L14	433E	285E	.040	4	116	171
90N	R140-0402-01T-XXX-R27-L14	01S	93S	.018	2	90	38
A2E/F	R1350-SP03-01T-XXX-R27-L14	433E	285E	.040	3	121	190
A3CO	R1350-SP05-02T-XXX-R27-L14	433E	285E	.040	5	121	191
A3E/F	R1350-SP05-02T-XXX-R27-L14	433E	285E	.040	5	121	191
A3OZ	R1350-SP05-02T-XXX-R27-L14	433E	285E	.040	5	121	191
A7E	R1350-SP05-02T-XXX-R27-L14	433E	285E	.040	5	121	191
A7E/F	R1350-SP05-02T-XXX-R27-L14	433E	285E	.040	5	121	191
CMP200	R075-0402-01T-XXX-R27-L14	274K	281K	.018	2	85	7
IRceL CO2	R505-SP07-01T-XXX-R27-L14	436P55	440P55	.060	7	113	155
IRceL CH4	R505-SP07-01T-XXX-R27-L14	436P55	440P55	.060	7	113	155
MCO	R510-SP02-01T-XXX-R27-L14	436P55	440P55	.060	2	113	156
MHYT-1	R1350-SP03-01T-XXX-R27-L14	433E	285E	.040	3	121	190
MND-1S	R1350-SP05-02T-XXX-R27-L14	433E	285E	.040	5	121	191
MNO-1	R1350-SP05-02T-XXX-R27-L14	433E	285E	.040	5	121	191
MND-1B	R1350-SP05-02T-XXX-R27-L14	433E	285E	.040	5	121	191
MND-2	R670-0804-02N-XXX-R27-L14	433E	285E	.040	4	116	171
MNO-2	R670-0804-02N-XXX-R27-L14	433E	285E	.040	4	116	171
MNO-2B	R670-0804-02N-XXX-R27-L14	433E	285E	.040	4	116	171
P50	R140-0402-01T-XXX-R27-L14	01S	93S	.018	2	90	38
P90	R140-0402-01T-XXX-R27-L14	01S	93S	.018	2	90	38

Clairex Technologies, Inc. Sockets							
Clairex Technologies, Inc. Sockets Part Number	Andon Part Number Replace "XXX" w ith Terminal Type	Terminal Type		Pin Ø [in]	Pin Qty.	Page Number	Figure Number
		Thru-Hole	Surface Mount				
CFD470	R100-0403-01T-XXX-R27-L14	75S	265S	.018	3	87	18

Clairex Technologies, Inc. Sockets <i>Continued</i>							
Clairex Technologies, Inc. Sockets Part Number	Andon Part Number Replace "XXX" w/ith Terminal Type	Terminal Type		Pin Ø [in]	Pin Qty.	Page Number	Figure Number
		Thru-Hole	Surface Mount				
CFE320A	R100-0403-01T-XXX-R27-L14	75S	265S	.018	3	87	18
CFE370	R100-0403-01T-XXX-R27-L14	75S	265S	.018	3	87	18
CFR520	R100-0403-01T-XXX-R27-L14	75S	265S	.018	3	87	18
CFR523	R100-0404-01T-XXX-R27-L14	75S	265S	.018	4	88	23
CFR530	R100-0403-01T-XXX-R27-L14	75S	265S	.018	3	87	18
CLD156	R200-0402-03T-XXX-R27-L14	01S	93S	.018	2	92	51
CLD156R	R200-0402-03T-XXX-R27-L14	01S	93S	.018	2	92	51
CLD160	R200-0402-03T-XXX-R27-L14	01S	93S	.018	2	92	51
CLD171	R200-SP02-01-XXX-R27-L14	01S	93S	.018	2	96	70
CLD171R	R200-SP02-01-XXX-R27-L14	01S	93S	.018	2	96	70
CLD185	R100-0403-01T-XXX-R27-L14	75S	265S	.018	3	87	18
CLD185R	R100-0403-01T-XXX-R27-L14	75S	265S	.018	3	87	18
CLD240	R100-0402-06T-XXX-R27-L14	75S	265S	.018	2	87	17
CLD240E	R100-0402-06T-XXX-R27-L14	75S	265S	.018	2	87	17
CLD240W	R100-0402-06T-XXX-R27-L14	75S	265S	.018	2	87	17
CLD340	R100-0402-06T-XXX-R27-L14	75S	265S	.018	2	87	17
CLE130	R100-0402-06T-XXX-R27-L14	75S	265S	.018	2	87	17
CLE130E	R100-0402-06T-XXX-R27-L14	75S	265S	.018	2	87	17
CLE130W	R100-0402-06T-XXX-R27-L14	75S	265S	.018	2	87	17
CLE131	R100-0402-06T-XXX-R27-L14	75S	265S	.018	2	87	17
CLE131W	R100-0402-06T-XXX-R27-L14	75S	265S	.018	2	87	17
CLE132	R100-0402-06T-XXX-R27-L14	75S	265S	.018	2	87	17
CLE132W	R100-0402-06T-XXX-R27-L14	75S	265S	.018	2	87	17
CLE133	R100-0402-06T-XXX-R27-L14	75S	265S	.018	2	87	17
CLE135	R100-0402-06T-XXX-R27-L14	75S	265S	.018	2	87	17
CLE135A	R100-0402-06T-XXX-R27-L14	75S	265S	.018	2	87	17
CLE230	R100-0402-06T-XXX-R27-L14	75S	265S	.018	2	87	17
CLE230W	R100-0402-06T-XXX-R27-L14	75S	265S	.018	2	87	17
CLE231	R100-0402-06T-XXX-R27-L14	75S	265S	.018	2	87	17
CLE231W	R100-0402-06T-XXX-R27-L14	75S	265S	.018	2	87	17
CLE232	R100-0402-06T-XXX-R27-L14	75S	265S	.018	2	87	17
CLE232W	R100-0402-06T-XXX-R27-L14	75S	265S	.018	2	87	17
CLE233	R100-0402-06T-XXX-R27-L14	75S	265S	.018	2	87	17
CRF533	R100-0404-01T-XXX-R27-L14	75S	265S	.018	4	88	23
CLE234E	R100-0403-01T-XXX-R27-L14	75S	265S	.018	3	87	18
CLE235	R100-0402-06T-XXX-R27-L14	75S	265S	.018	2	87	17
CLE330E	R100-0402-06T-XXX-R27-L14	75S	265S	.018	2	87	17
CLE330W	R100-0402-06T-XXX-R27-L14	75S	265S	.018	2	87	17
CLE331	R100-0402-06T-XXX-R27-L14	75S	265S	.018	2	87	17
CLE331E	R100-0402-06T-XXX-R27-L14	75S	265S	.018	2	87	17
CLE332	R100-0402-06T-XXX-R27-L14	75S	265S	.018	2	87	17
CLE332E	R100-0402-06T-XXX-R27-L14	75S	265S	.018	2	87	17
CLE332P	R100-0402-06T-XXX-R27-L14	75S	265S	.018	2	87	17
CLE332W	R100-0402-06T-XXX-R27-L14	75S	265S	.018	2	87	17
CLE333	R100-0402-06T-XXX-R27-L14	75S	265S	.018	2	87	17
CLE334E	R100-0403-01T-XXX-R27-L14	75S	265S	.018	3	87	18
CLE334W	R100-0403-01T-XXX-R27-L14	75S	265S	.018	3	87	18
CLE335	R100-0402-06T-XXX-R27-L14	75S	265S	.018	2	87	17
CLE435	R100-0402-06T-XXX-R27-L14	75S	265S	.018	2	87	17
CLE530	R100-0402-06T-XXX-R27-L14	75S	265S	.018	2	87	17
CLI700	R100-0404-01T-XXX-R27-L14	75S	265S	.018	4	88	23
CLI710	R100-0404-01T-XXX-R27-L14	75S	265S	.018	4	88	23
CLL130	R100-0404-01T-XXX-R27-L14	75S	265S	.018	4	88	23
CLL130W	R100-0404-01T-XXX-R27-L14	75S	265S	.018	4	88	23
CLL131	R100-0404-01T-XXX-R27-L14	75S	265S	.018	4	88	23

Clairex Technologies, Inc. Sockets <i>Continued</i>							
Clairex Technologies, Inc. Sockets Part Number	Andon Part Number Replace "XXX" w with Terminal Type	Terminal Type		Pin Ø [in]	Pin Qty.	Page Number	Figure Number
		Thru-Hole	Surface Mount				
CLL131W	R100-0404-01T-XXX-R27-L14	75S	265S	.018	4	88	23
CLL133	R100-0404-01T-XXX-R27-L14	75S	265S	.018	4	88	23
CLL133W	R100-0404-01T-XXX-R27-L14	75S	265S	.018	4	88	23
CLL134	R100-0403-01T-XXX-R27-L14	75S	265S	.018	3	87	18
CLL134W	R100-0403-01T-XXX-R27-L14	75S	265S	.018	3	87	18
CLL135	R100-0403-01T-XXX-R27-L14	75S	265S	.018	3	87	18
CLL135W	R100-0403-01T-XXX-R27-L14	75S	265S	.018	3	87	18
CLL136	R100-0403-01T-XXX-R27-L14	75S	265S	.018	3	87	18
CLL136W	R100-0403-01T-XXX-R27-L14	75S	265S	.018	3	87	18
CLL137	R100-0403-01T-XXX-R27-L14	75S	265S	.018	3	87	18
CLL137W	R100-0403-01T-XXX-R27-L14	75S	265S	.018	3	87	18
CLR130	R100-0403-01T-XXX-R27-L14	75S	265S	.018	3	87	18
CLR130W	R100-0403-01T-XXX-R27-L14	75S	265S	.018	3	87	18
CLR131	R100-0403-01T-XXX-R27-L14	75S	265S	.018	3	87	18
CLR131W	R100-0403-01T-XXX-R27-L14	75S	265S	.018	3	87	18
CLR132	R100-0403-01T-XXX-R27-L14	75S	265S	.018	3	87	18
CLR132W	R100-0403-01T-XXX-R27-L14	75S	265S	.018	3	87	18
CLT130	R100-0403-01T-XXX-R27-L14	75S	265S	.018	3	87	18
CLT130W	R100-0403-01T-XXX-R27-L14	75S	265S	.018	3	87	18
CLT131	R100-0403-01T-XXX-R27-L14	75S	265S	.018	3	87	18
CLT131W	R100-0403-01T-XXX-R27-L14	75S	265S	.018	3	87	18
CLT132	R100-0403-01T-XXX-R27-L14	75S	265S	.018	3	87	18
CLT132W	R100-0403-01T-XXX-R27-L14	75S	265S	.018	3	87	18
CLT133	R100-0403-01T-XXX-R27-L14	75S	265S	.018	3	87	18
CLT135	R100-0403-01T-XXX-R27-L14	75S	265S	.018	3	87	18
CLT135W	R100-0403-01T-XXX-R27-L14	75S	265S	.018	3	87	18
CLT335	R100-0403-01T-XXX-R27-L14	75S	265S	.018	3	87	18
CLT425	R100-0403-01T-XXX-R27-L14	75S	265S	.018	3	87	18
Coherent, Inc. Sockets							
Coherent, Inc. Sockets Part Number	Andon Part Number Replace "XXX" w with Terminal Type	Terminal Type		Pin Ø [in]	Pin Qty.	Page Number	Figure Number
		Thru-Hole	Surface Mount				
T/Q Package	F500-SP09-01-XXX-R27-L14	433E	285E	.040	9	125	208
Colibrys, Inc. Sockets							
Colibrys, Inc. Sockets Part Number	Andon Part Number Replace "XXX" w with Terminal Type	Terminal Type		Pin Ø [in]	Pin Qty.	Page Number	Figure Number
		Thru-Hole	Surface Mount				
MS7000.3	R400-SP12-02T-XXX-R27-L14	01S	93S	.018	12	111	143
MS7002	R400-SP12-02T-XXX-R27-L14	01S	93S	.018	12	111	143
MS7010	R400-SP12-02T-XXX-R27-L14	01S	93S	.018	12	111	143
Dexter Research, Inc. Sockets							
Dexter Research, Inc. Sockets Part Number	Andon Part Number Replace "XXX" w with Terminal Type	Terminal Type		Pin Ø [in]	Pin Qty.	Page Number	Figure Number
		Thru-Hole	Surface Mount				
10 Channel	R400-SP12-01T-XXX-R27-L14	01S	93S	.018	12	110	142
1M T0-5	R200-0403-04T-XXX-R27-L14	01S	93S	.018	3	93	57
1SC Compensated	R200-0403-04T-XXX-R27-L14	01S	93S	.018	3	93	57
2M QUAD	R400-SP12-01T-XXX-R27-L14	01S	93S	.018	12	110	142
2M T0-5	R200-0403-04T-XXX-R27-L14	01S	93S	.018	3	93	57
2MC T0-5	R200-0403-04T-XXX-R27-L14	01S	93S	.018	3	93	57
3M	R280-SP05-01T-XXX-R27-L14	75S	265S	.018	5	102	98
6M T0-8	R400-SP12-01T-XXX-R27-L14	01S	93S	.018	12	110	142
DR26 5-PIN	R200-0805-01T-XXX-R27-L14	75S	265S	.018	5	94	60
DR34	R200-0805-01T-XXX-R27-L14	75S	265S	.018	5	94	60

Dexter Research, Inc. Sockets <i>Continued</i>							
Dexter Research, Inc. Sockets Part Number	Andon Part Number Replace "XXX" w/with Terminal Type	Terminal Type		Pin Ø [in]	Pin Qty.	Page Number	Figure Number
		Thru-Hole	Surface Mount				
DR34 Compensated	R200-0403-04T-XXX-R27-L14	01S	93S	.018	3	93	57
DR46	R280-SP05-01T-XXX-R27-L14	75S	265S	.018	5	102	98
DR46 Compensated	R280-SP05-01T-XXX-R27-L14	75S	265S	.018	5	102	98
M14 T0-18	R100-0403-01T-XXX-R27-L14	75S	265S	.018	3	87	18
M34 T0-5	R200-0403-04T-XXX-R27-L14	01S	93S	.018	3	93	57
M5 T0-5	R200-0403-04T-XXX-R27-L14	01S	93S	.018	3	93	57
S25 T0-18	R100-0403-01T-XXX-R27-L14	75S	265S	.018	3	87	18
S25 T0-5	R200-0403-04T-XXX-R27-L14	01S	93S	.018	3	93	57
S60 T0-18	R100-0403-01T-XXX-R27-L14	75S	265S	.018	3	87	18
S60 T0-5	R200-0403-04T-XXX-R27-L14	01S	93S	.018	3	93	57
S60M T0-5	R200-0403-04T-XXX-R27-L14	01S	93S	.018	3	93	57
ST120 DUAL	R200-0805-01T-XXX-R27-L14	75S	265S	.018	5	94	60
ST120 QUAD	R200-0807-02T-XXX-R27-L14	75S	265S	.018	7	95	67
ST150 DUAL	R200-0805-01T-XXX-R27-L14	75S	265S	.018	5	94	60
ST150 QUAD	R400-SP12-01T-XXX-R27-L14	01S	93S	.018	12	110	142
ST150 T0-5	R200-0404-01T-XXX-R27-L14	01S	93S	.018	4	94	58
ST150R DUAL	R200-0805-01T-XXX-R27-L14	75S	265S	.018	5	94	60
ST150R QUAD	R400-SP12-01T-XXX-R27-L14	01S	93S	.018	12	110	142
ST150R T0-5	R200-0404-01T-XXX-R27-L14	01S	93S	.018	4	94	58
ST60 DUAL	R200-0805-01T-XXX-R27-L14	75S	265S	.018	5	94	60
ST60 MICRO	R070-0404-01T-XXX-R27-L14	400T4	414T4	.012	4	85	5
ST60 QUAD	R200-0807-02T-XXX-R27-L14	75S	265S	.018	7	95	67
ST60/ST60R T0-18	R100-0404-01T-XXX-R27-L14	75S	265S	.018	4	88	23
ST60R DUAL	R200-0805-01T-XXX-R27-L14	75S	265S	.018	5	94	60
ST60R MICRO	R070-0404-01T-XXX-R27-L14	400T4	414T4	.012	4	85	5
ST60R QUAD	R200-0807-02T-XXX-R27-L14	75S	265S	.018	7	95	67
T34 Compensated	R200-0805-01T-XXX-R27-L14	75S	265S	.018	5	94	60
T34 T0-8	R400-SP12-01T-XXX-R27-L14	01S	93S	.018	12	110	142
TM34 T0-8	R400-SP12-01T-XXX-R27-L14	01S	93S	.018	12	110	142
ST120 T0-5	R200-0404-01T-XXX-R27-L14	01S	93S	.018	4	94	58
ST60 T0-5	R200-0404-01T-XXX-R27-L14	01S	93S	.018	4	94	58
ST60R T0-5	R200-0404-01T-XXX-R27-L14	01S	93S	.018	4	94	58

DIAS Infrared System Sockets							
DIAS Infrared System Sockets Part Number	Andon Part Number Replace "XXX" w/with Terminal Type	Terminal Type		Pin Ø [in]	Pin Qty.	Page Number	Figure Number
		Thru-Hole	Surface Mount				
2LTA G2	R200-0404-01T-XXX-R27-L14	01S	93S	.018	4	94	58
2LTA G2C100	R200-0404-01T-XXX-R27-L14	01S	92S	.018	4	94	58
2LTA G2I100	R400-SP08-01T-XXX-R27-L14	01S	93S	.018	8	110	140
2LTA G2I100PC	R400-SP08-01T-XXX-R27-L14	01S	93S	.018	8	110	140
2LTA G2PC	R400-SP12-02T-XXX-R27-L14	01S	93S	.018	12	111	143
3LTA G2I100	R400-SP08-01T-XXX-R27-L14	01S	93S	.018	8	110	140
4LTA G2	R400-SP12-02T-XXX-R27-L14	01S	93S	.018	12	111	143
4LTA G2I100	R400-SP08-01T-XXX-R27-L14	01S	93S	.018	8	110	140
4LTA G2I100PC	R400-SP08-01T-XXX-R27-L14	01S	93S	.018	8	110	140
LT D1	R200-0403-03T-XXX-R27-L14	01S	93S	.018	3	93	56
LT D2	R200-0403-03T-XXX-R27-L14	01S	93S	.018	3	93	56
LT D2.5	R200-0403-03T-XXX-R27-L14	01S	93S	.018	3	93	56
LT G1.2	R100-0404-01T-XXX-R27-L14	75S	265S	.018	4	88	23
LT G2	R200-0403-03T-XXX-R27-L14	01S	93S	.018	3	93	56
LT G2PC	R200-0403-03T-XXX-R27-L14	01S	93S	.018	3	93	56
LT Q0.5	R200-0403-03T-XXX-R27-L14	01S	93S	.018	3	93	56
LT Q1	R200-0403-03T-XXX-R27-L14	01S	93S	.018	3	93	56
LT Q1.2	R200-0403-03T-XXX-R27-L14	01S	93S	.018	3	93	56
LT Q2	R200-0403-03T-XXX-R27-L14	01S	93S	.018	3	93	56

[Back to Table of Contents](#)

DIAS Infrared System Sockets <i>Continued</i> http://www.dias-infrared.com							
DIAS Infrared System Sockets Part Number	Andon Part Number Replace "XXX" w ith Terminal Type	Terminal Type		Pin Ø [in]	Pin Qty.	Page Number	Figure Number
		Thru-Hole	Surface Mount				
LTA G1.2	R100-0404-01T-XXX-R27-L14	75S	265S	.018	4	88	23
LTA G2	R200-0403-03T-XXX-R27-L14	01S	93S	.018	3	93	56
LTA G2C10	R200-0403-03T-XXX-R27-L14	01S	93S	.018	3	93	56
LTA G2C10PC	R200-0403-03T-XXX-R27-L14	01S	93S	.018	3	93	56
LTA G2C100	R200-0403-03T-XXX-R27-L14	01S	93S	.018	3	93	56
LTA G2C100PC	R200-0403-03T-XXX-R27-L14	01S	93S	.018	3	93	56
LTA G2I10	R200-0404-01T-XXX-R27-L14	01S	93S	.018	4	94	58
LTA G2I10PC	R200-0404-01T-XXX-R27-L14	01S	93S	.018	4	94	58
LTA G2I1100	R200-0404-01T-XXX-R27-L14	01S	93S	.018	4	94	58
LTA G2I1100PC	R200-0404-01T-XXX-R27-L14	01S	93S	.018	4	94	58
LTA G2PC	R200-0403-03T-XXX-R27-L14	01S	93S	.018	3	93	56
LTI D1	R200-0403-03T-XXX-R27-L14	01S	93S	.018	3	93	56
LTI D2	R200-0403-03T-XXX-R27-L14	01S	93S	.018	3	93	56
LTI Q0.5	R200-0403-03T-XXX-R27-L14	01S	93S	.018	3	93	56
LTI Q1	R200-0403-03T-XXX-R27-L14	01S	93S	.018	3	93	56
LTI Q1.2	R200-0403-03T-XXX-R27-L14	01S	93S	.018	3	93	56
LTI Q2	R200-0403-03T-XXX-R27-L14	01S	93S	.018	3	93	56
LTI Q2I10	R200-0404-01T-XXX-R27-L14	01S	93S	.018	4	94	58
LTI Q2I100	R200-0404-01T-XXX-R27-L14	01S	93S	.018	4	94	58
LTS D1	R200-0403-03T-XXX-R27-L14	01S	93S	.018	3	93	56
LTS D2	R200-0403-03T-XXX-R27-L14	01S	93S	.018	3	93	56
LTS D2.5	R200-0403-03T-XXX-R27-L14	01S	93S	.018	3	93	56
LTS Q1	R200-0403-03T-XXX-R27-L14	01S	93S	.018	3	93	56
LTS Q1.2	R200-0403-03T-XXX-R27-L14	01S	93S	.018	3	93	56
LTS Q2	R200-0403-03T-XXX-R27-L14	01S	93S	.018	3	93	56
LTAI G2	R200-0403-03T-XXX-R27-L14	01S	93S	.018	3	93	56
LTSI D1	R200-0403-03T-XXX-R27-L14	01S	93S	.018	3	93	56
LTSI D2	R200-0403-03T-XXX-R27-L14	01S	93S	.018	3	93	56
LTSI Q1	R200-0403-03T-XXX-R27-L14	01S	93S	.018	3	93	56
LTSI Q1.2	R200-0403-03T-XXX-R27-L14	01S	93S	.018	3	93	56
LTSI Q2	R200-0403-03T-XXX-R27-L14	01S	93S	.018	3	93	56
LTSI Q2I10	R200-0404-01T-XXX-R27-L14	01S	93S	.018	4	94	58
LTSI Q2I100	R200-0404-01T-XXX-R27-L14	01S	93S	.018	4	94	58

Dynamnt Limited Sockets							
Dynamnt Limited Sockets Part Number	Andon Part Number Replace "XXX" w ith Terminal Type	Terminal Type		Pin Ø [in]	Pin Qty.	Page Number	Figure Number
		Thru-Hole	Surface Mount				
TDS0003	R450-SP07-01N-XXX-R27-L14	436P55	440P55	.060	7	112	149
TDS0004	R450-SP07-01N-XXX-R27-L14	436P55	440P55	.060	7	112	149
TDS0024	R450-SP07-01N-XXX-R27-L14	436P55	440P55	.060	7	112	149
TDS0031	R450-SP07-01N-XXX-R27-L14	436P55	440P55	.060	7	112	149
TDS5001	R450-SP07-01N-XXX-R27-L14	436P55	440P55	.060	7	112	149
TDS5002	R450-SP07-01N-XXX-R27-L14	436P55	440P55	.060	7	112	149
TDS0034	R420-SP05-04T-XXX-R27-L14	436P55	440P55	.060	5	97	76
TDS0035	R420-SP05-04T-XXX-R27-L14	436P55	440P55	.060	5	97	76
TDS0036	R420-SP05-04T-XXX-R27-L14	436P55	440P55	.060	5	97	76
TDS0037	R420-SP05-04T-XXX-R27-L14	436P55	440P55	.060	5	97	76
TDS0048	R420-SP05-04T-XXX-R27-L14	436P55	440P55	.060	5	97	76
TDS0054	R420-SP05-04T-XXX-R27-L14	436P55	440P55	.060	5	97	76
TDS0055	R420-SP05-04T-XXX-R27-L14	436P55	440P55	.060	5	97	76
TDS0057	R420-SP05-04T-XXX-R27-L14	436P55	440P55	.060	5	97	76
TDS0058	R420-SP05-04T-XXX-R27-L14	436P55	440P55	.060	5	97	76

e2v Sockets							
e2v Sockets Part Number	Andon Part Number Replace "XXX" w ith Terminal Type	Terminal Type		Pin Ø [in]	Pin Qty.	Page Number	Figure Number
		Thru-Hole	Surface Mount				
EC410	R530-0403-02N-XXX-R27-L14	436P55	440P55	.060	3	114	162
EC4-1-CIO2	R530-0403-02N-XXX-R27-L14	436P55	440P55	.060	3	114	162
EC4-20-SO2	R530-0403-02N-XXX-R27-L14	436P55	440P55	.060	3	114	162
EC4-20-NO2	R530-0403-02N-XXX-R27-L14	436P55	440P55	.060	3	114	162
EC4-20-PH3	R530-0403-02N-XXX-R27-L14	436P55	440P55	.060	3	114	162
EC4-50-CIO2	R530-0403-02N-XXX-R27-L14	436P55	440P55	.060	3	114	162
EC4-100-ETO	R530-0403-02N-XXX-R27-L14	436P55	440P55	.060	3	114	162
EC4-100-H2S	R530-0403-02N-XXX-R27-L14	436P55	440P55	.060	3	114	162
EC4-200-ETO	R530-0403-02N-XXX-R27-L14	436P55	440P55	.060	3	114	162
EC4-250-NO	R530-0403-02N-XXX-R27-L14	436P55	440P55	.060	3	114	162
EC4-500-CO	R530-0403-02N-XXX-R27-L14	436P55	440P55	.060	3	114	162
EC4-1000-ETO	R530-0403-02N-XXX-R27-L14	436P55	440P55	.060	3	114	162
EC4-1000-H2	R530-0403-02N-XXX-R27-L14	436P55	440P55	.060	3	114	162
EC4-1000-H2S	R530-0403-02N-XXX-R27-L14	436P55	440P55	.060	3	114	162
EC4-2000-CO	R530-0403-02N-XXX-R27-L14	436P55	440P55	.060	3	114	162
EC4-2000-NO	R530-0403-02N-XXX-R27-L14	436P55	440P55	.060	3	114	162
EC4-2000-SO2	R530-0403-02N-XXX-R27-L14	436P55	440P55	.060	3	114	162
IR1xxx Series 1	R390-SP06-01T-XXX-R27-L14	436P55	440P55	.060	6	108	128
IR1xxx Series 2	R505-SP07-01T-XXX-R27-L14	436P55	440P55	.060	7	113	155
IR2xxx Series 1	R390-SP06-01T-XXX-R27-L14	436P55	440P55	.060	6	108	128
IR2xxx Series 2	R505-SP07-01T-XXX-R27-L14	436P55	440P55	.060	7	113	155
IR3xxx Series	R390-SP06-01T-XXX-R27-L14	436P55	440P55	.060	6	108	128
IR4xxx Series	R390-SP06-01T-XXX-R27-L14	436P55	440P55	.060	6	108	128
IR11BR	R390-SP06-01T-XXX-R27-L14	436P55	440P55	.060	6	108	128
IR15TT	R520-SP08-01T-XXX-R27-L14	436P55	440P55	.060	8	113	157
IR15TT-M	R520-SP08-01T-XXX-R27-L14	436P55	440P55	.060	8	113	157
IR15TT-R	R520-SP08-01T-XXX-R27-L14	436P55	440P55	.060	8	113	157
IR25TT	R520-SP08-01T-XXX-R27-L14	436P55	440P55	.060	8	113	157
IR25TT-M	R520-SP08-01T-XXX-R27-L14	436P55	440P55	.060	8	113	157
IR31CE	R390-SP06-01T-XXX-R27-L14	436P55	440P55	.060	6	108	128
IR31SC	R390-SP06-01T-XXX-R27-L14	436P55	440P55	.060	6	108	128
IR31SE	R390-SP06-01T-XXX-R27-L14	436P55	440P55	.060	6	108	128
IR81BB	R390-SP06-01T-XXX-R27-L14	436P55	440P55	.060	6	108	128
IR82BB	R390-SP06-01T-XXX-R27-L14	436P55	440P55	.060	6	108	128
MiCS-2610	R200-0404-01T-XXX-R27-L14	01S	93S	.018	4	94	58
MiCS-2611	R200-0404-01T-XXX-R27-L14	01S	93S	.018	4	94	58
MiCS-2710	R200-0404-01T-XXX-R27-L14	01S	93S	.018	4	94	58
MiCS-5121	R200-0404-01T-XXX-R27-L14	01S	93S	.018	4	94	58
MiCS-5121WP	R200-0404-01T-XXX-R27-L14	01S	93S	.018	4	94	58
MiCS-5135	R200-0404-01T-XXX-R27-L14	01S	93S	.018	4	94	58
MiCS-5521	R200-0404-01T-XXX-R27-L14	01S	93S	.018	4	94	58
MiCS-5525	R200-0404-01T-XXX-R27-L14	01S	93S	.018	4	94	58
VQ3 Series	R140-0402-01T-XXX-R27-L14	01S	93S	.018	2	90	38
VQ4	R140-0404-02T-XXX-R27-L14	01S	93S	.018	4	90	40
VQ5MB	R140-0402-01T-XXX-R27-L14	01S	93S	.018	2	90	38
VQ6MB	R140-0402-01T-XXX-R27-L14	01S	93S	.018	2	90	38
VQ21B	R140-0402-01T-XXX-R27-L14	01S	93S	.018	2	90	38
VQ21TSB	R140-0402-01T-XXX-R27-L14	01S	93S	.018	2	90	38
VQ29	R140-0404-02T-XXX-R27-L14	01S	93S	.018	4	90	40
VQ31MB	R140-0402-01T-XXX-R27-L14	01S	93S	.018	2	90	38
VQ35MB	R140-0402-01T-XXX-R27-L14	01S	93S	.018	2	90	38
VQ41TSB	R140-0402-01T-XXX-R27-L14	01S	93S	.018	2	90	38
VQ101	R140-0402-01T-XXX-R27-L14	01S	93S	.018	2	90	38
VQ101HT	R140-0402-01T-XXX-R27-L14	01S	93S	.018	2	90	38
VQ542R	R300-SP03-02T-XXX-R27-L14	436P55	440P55	.060	3	103	106

e2v Sockets Continued							
e2v Sockets Part Number	Andon Part Number Replace "XXX" w with Terminal Type	Terminal Type		Pin Ø [in]	Pin Qty.	Page Number	Figure Number
		Thru-Hole	Surface Mount				
VQ542RD	R300-SP03-02T-XXX-R27-L14	436P55	440P55	.060	3	103	106
VQ542ZD	R300-SP03-02T-XXX-R27-L14	436P55	440P55	.060	3	103	106
VQ545ZD	R300-SP03-02T-XXX-R27-L14	436P55	440P55	.060	3	103	106
VQ546M	R300-SP03-02T-XXX-R27-L14	436P55	440P55	.060	3	103	106
VQ546MR	R300-SP03-02T-XXX-R27-L14	436P55	440P55	.060	3	103	106
VQ547TS	R300-SP03-02T-XXX-R27-L14	436P55	440P55	.060	3	103	106
VQ548ZD	R300-SP03-02T-XXX-R27-L14	436P55	440P55	.060	3	103	106
VQ548ZD/W	R300-SP03-02T-XXX-R27-L14	436P55	440P55	.060	3	103	106
VQ549ZD	R300-SP03-02T-XXX-R27-L14	436P55	440P55	.060	3	103	106
VQ549ZD/W	R300-SP03-02T-XXX-R27-L14	436P55	440P55	.060	3	103	106

Eagleyard Photonics Sockets							
Eagleyard Photonics Sockets Part Number	Andon Part Number Replace "XXX" w with Terminal Type	Terminal Type		Pin Ø [in]	Pin Qty.	Page Number	Figure Number
		Thru-Hole	Surface Mount				
EYP-DFB-0760-00040-1500-SOT02-0000	R100-0403-04N-XXX-R27-L14	75S	265S	.018	3	87	20
EYP-DFB-0760-00040-1500-TOC03-0000	F500-SP09-01-XXX-R27-L14	433E	285E	.040	9	125	208
EYP-DFB-0763-00030-1500-SOT02-0000	R100-0403-04N-XXX-R27-L14	75S	265S	.018	3	87	20
EYP-DFB-0763-00030-1500-TOC03-0000	F500-SP09-01-XXX-R27-L14	433E	285E	.040	9	125	208
EYP-DFB-0773-00075-1500-SOT02-0000	R100-0403-04N-XXX-R27-L14	75S	265S	.018	3	87	20
EYP-DFB-0773-00075-1500-TOC03-0000	F500-SP09-01-XXX-R27-L14	433E	285E	.040	9	125	208
EYP-DFB-0780-00080-1500-SOT02-0000	R100-0403-04N-XXX-R27-L14	75S	265S	.018	3	87	20
EYP-DFB-0780-00080-1500-TOC03-0000	F500-SP09-01-XXX-R27-L14	433E	285E	.040	9	125	208
EYP-DFB-0785-00080-1500-TOC03-0000	F500-SP09-01-XXX-R27-L14	433E	285E	.040	9	125	208
EYP-DFB-0795-00080-1500-TOC03-0000	F500-SP09-01-XXX-R27-L14	433E	285E	.040	9	125	208
EYP-DFB-0852-00100-1500-TOC03-0005	F500-SP09-01-XXX-R27-L14	433E	285E	.040	9	125	208
EYP-DFB-0852-00150-1500-SOT02-0000	R100-0403-04N-XXX-R27-L14	75S	265S	.018	3	87	20
EYP-DFB-0852-00150-1500-TOC03-0000	F500-SP09-01-XXX-R27-L14	433E	285E	.040	9	125	208
EYP-DFB-0855-00150-1500-TOC03-0000	F500-SP09-01-XXX-R27-L14	433E	285E	.040	9	125	208
EYP-DFB-0937-00100-1500-SOT02-0000	R100-0403-04N-XXX-R27-L14	75S	265S	.018	3	87	20
EYP-DFB-0937-00100-1500-TOC03-0000	F500-SP09-01-XXX-R27-L14	433E	285E	.040	9	125	208
EYP-DFB-0976-00150-1500-SOT02-0000	R100-0403-04N-XXX-R27-L14	75S	265S	.018	3	87	20
EYP-DFB-0976-00150-1500-TOC03-0000	F500-SP09-01-XXX-R27-L14	433E	285E	.040	9	125	208
EYP-DFB-1060-00150-1500-SOT02-0000	R100-0403-04N-XXX-R27-L14	75S	265S	.018	3	87	20
EYP-DFB-1060-00150-1500-TOC03-0000	F500-SP09-01-XXX-R27-L14	433E	285E	.040	9	125	208
EYP-DFB-1064-00080-1500-TOC03-0000	F500-SP09-01-XXX-R27-L14	433E	285E	.040	9	125	208
EYP-DFB-1083-00080-1500-TOC03-0000	F500-SP09-01-XXX-R27-L14	433E	285E	.040	9	125	208
EYP-DBR-1063-00100-2000-SOT02-0000	R100-0403-04N-XXX-R27-L14	75S	265S	.018	3	87	20
EYP-DBR-1063-00100-2000-TO-03-0000	F500-SP09-01-XXX-R27-L14	433E	295E	.040	9	125	208
EYP-DBR-1080-00080-2000-SOT02-0000	R100-0403-04N-XXX-R27-L14	75S	265S	.018	3	87	20
EYP-DBR-1080-00080-2000-TOC03-0000	F500-SP09-01-XXX-R27-L14	433E	285E	.040	9	125	208

Electro-Optical System, Inc. Sockets							
Electro-Optical System, Inc. Sockets Part Number	Andon Part Number Replace "XXX" w with Terminal Type	Terminal Type		Pin Ø [in]	Pin Qty.	Page Number	Figure Number
		Thru-Hole	Surface Mount				
G-010	R100-0403-06T-XXX-R27-L14	75S	265S	.018	3	87	21
G-010-TE2	R375-SP08-02T-XXX-R27-L14	75S	265S	.018	8	107	124
G-020	R200-0403-02T-XXX-R27-L14	01S	93S	.018	3	93	54
G-020	R200-0404-01T-XXX-R27-L14	01S	93S	.018	4	94	58
G-020-PSD	R200-0808-01T-XXX-R27-L14	75S	265S	.018	8	96	68
G-020-TE2	R375-SP08-02T-XXX-R27-L14	75S	265S	.018	8	107	124
G-025	R200-0404-01T-XXX-R27-L14	01S	93S	.018	4	94	58
G-030	R200-0403-02T-XXX-R27-L14	01S	93S	.018	3	93	54
G-030-PSD	R200-0808-01T-XXX-R27-L14	75S	265S	.018	8	96	68
G-050	R375-SP08-02T-XXX-R27-L14	75S	265S	.018	8	107	124

Electro-Optical System, Inc. Sockets *Continued*

Electro-Optical System, Inc. Sockets Part Number	Andon Part Number Replace "XXX" w/ith Terminal Type	Terminal Type		Pin Ø [in]	Pin Qty.	Page Number	Figure Number
		Thru-Hole	Surface Mount				
G-050	R400-0804-01T-XXX-R27-L14	01S	93S	.018	4	109	135
G-050-TE2	R400-0803-02T-XXX-R27-L14	01S	93S	.018	3	109	134
G-100	R375-SP08-02T-XXX-R27-L14	75S	265S	.018	8	107	124
G-100-TE2	R710-SP03-01N-XXX-R27-L14	01S	93S	.018	3	117	176
G-130	R375-SP08-01N-XXX-R27-L14	75S	265S	.018	8	107	123
G-130-TE2	R710-SP03-01N-XXX-R27-L14	01S	93S	.018	3	117	176
IA-010	R375-SP08-01N-XXX-R27-L14	75S	265S	.018	8	107	123
IA-010-TE2/T08	R100-0403-06T-XXX-R27-L14	75S	265S	.018	3	87	21
IA-020	R200-0403-02T-XXX-R27-L14	01S	93S	.018	3	93	54
IA-020	R375-SP08-02T-XXX-R27-L14	75S	265S	.018	8	107	124
IA-020-TE2/T08	R200-0404-01T-XXX-R27-L14	01S	93S	.018	4	94	58
IA-025	R375-SP08-02T-XXX-R27-L14	75S	265S	.018	8	107	124
IGA-001	R200-0404-01T-XXX-R27-L14	01S	93S	.018	4	94	58
IGA-003	R100-0403-06T-XXX-R27-L14	75S	265S	.018	3	87	21
IGA-010	R100-0403-06T-XXX-R27-L14	75S	265S	.018	3	87	21
IGA-010-QD	R100-0403-06T-XXX-R27-L14	75S	265S	.018	3	87	21
IGA-010-TE2	R200-0808-01T-XXX-R27-L14	75S	265S	.018	8	96	68
IGA-020	R200-0403-02T-XXX-R27-L14	01S	93S	.018	3	93	54
IGA-020	R375-SP08-02T-XXX-R27-L14	75S	265S	.018	8	107	124
IGA-020-TE2	R200-0404-01T-XXX-R27-L14	01S	93S	.018	4	94	58
IGA-025	R375-SP08-02T-XXX-R27-L14	75S	265S	.018	8	107	124
IGA-030	R200-0404-01T-XXX-R27-L14	01S	93S	.018	4	94	58
IGA-030-QD	R200-0403-02T-XXX-R27-L14	01S	93S	.018	3	93	54
IGA-030-TE2	R395-SP06-01T-XXX-R27-L14	01S	93S	.018	6	108	130
IGA-050	R200-0403-02T-XXX-R27-L14	01S	93S	.018	3	93	54
IGA-050-PSD	R400-0803-02T-XXX-R27-L14	01S	93S	.018	3	109	134
IGA-050-TE2	R400-0804-01T-XXX-R27-L14	01S	93S	.018	4	109	135
IGA-2.2-003	R375-SP08-02T-XXX-R27-L14	75S	265S	.018	8	107	124
IGA-2.2-010	R100-0403-06T-XXX-R27-L14	75S	265S	.018	3	87	21
IGA-2.2-010-TE2	R200-0404-01T-XXX-R27-L14	01S	93S	.018	4	94	58
IGA-2.2-020	R375-SP08-02T-XXX-R27-L14	75S	265S	.018	8	107	124
IGA-2.2-020-TE2	R200-0404-01T-XXX-R27-L14	01S	93S	.018	4	94	58
IGA-2.2-025	R200-0403-02T-XXX-R27-L14	01S	93S	.018	3	93	54
IGA-2.2-025-TE	R200-0404-01T-XXX-R27-L14	01S	93S	.018	4	94	58
IGA-2.2-30	R200-0403-02T-XXX-R27-L14	01S	93S	.018	3	93	54
MCT4.5-010	R200-0403-02T-XXX-R27-L14	01S	93S	.018	3	93	54
MCT4.5-010-TE2	R200-0403-02T-XXX-R27-L14	01S	93S	.018	3	93	54
MCT5.0-010	R375-SP08-02T-XXX-R27-L14	75S	265S	.018	8	107	124
MCT5.5-010-TE2	F425-1006-01-XXX-R27-L14	295V	439V	.030	6	124	202
PBS-010	R375-SP08-02T-XXX-R27-L14	75S	265S	.018	8	107	124
PBS-010-TE1-T037	R100-0403-06T-XXX-R27-L14	75S	265S	.018	3	87	21
PBS-010-TE1-T08	F200-1006-02-XXX-R27-L14	274K	281K	.018	6	123	197
PBS-010-TE2	R375-SP08-02T-XXX-R27-L14	75S	265S	.018	8	107	124
PBS-020	R200-0403-02T-XXX-R27-L14	01S	93S	.018	3	93	54
PBS-020-TE1-T037	R200-0404-01T-XXX-R27-L14	01S	93S	.018	4	94	58
PBS-020-TE1-T08	F200-1006-02-XXX-R27-L14	274K	281K	.018	6	123	197
PBS-020-TE2	R200-0403-02T-XXX-R27-L14	01S	93S	.018	3	93	54
PBS-025	R200-0403-02T-XXX-R27-L14	01S	93S	.018	3	93	54
PBS-025-TE2	R200-0404-01T-XXX-R27-L14	01S	93S	.018	4	94	58
PBS-030	R200-0403-02T-XXX-R27-L14	01S	93S	.018	3	93	54
PBS-030-TE1-T037	R200-0403-02T-XXX-R27-L14	01S	93S	.018	3	93	54
PBS-030-TE1-T08	F200-1006-02-XXX-R27-L14	274K	281K	.018	6	123	197
PBS-025-TE2	R200-0404-01T-XXX-R27-L14	01S	93S	.018	4	94	58
PBS-030	R200-0403-02T-XXX-R27-L14	01S	93S	.018	3	93	54
PBS-050-TE1	R400-0804-01T-XXX-R27-L14	01S	93S	.018	4	109	135

Electro-Optical System, Inc. Sockets <i>Continued</i>							
Electro-Optical System, Inc. Sockets Part Number	Andon Part Number Replace "XXX" w/ith Terminal Type	Terminal Type		Pin Ø [in]	Pin Qty.	Page Number	Figure Number
		Thru-Hole	Surface Mount				
PBS-050-TE2	R375-SP08-02T-XXX-R27-L14	75S	265S	.018	8	107	124
PBS-060	R200-0403-02T-XXX-R27-L14	01S	93S	.018	3	93	54
PBS-060-TE1	R400-0803-02T-XXX-R27-L14	01S	93S	.018	3	109	134
PBS-060-TE2	R375-SP08-02T-XXX-R27-L14	75S	265S	.018	8	107	124
PBS-10	R375-SP08-02T-XXX-R27-L14	75S	265S	.018	8	107	124
PBS-100	R100-0403-06T-XXX-R27-L14	75S	265S	.018	3	87	21
PBSE-010	R710-SP03-01N-XXX-R27-L14	01S	93S	.018	3	117	176
PBSE-010-TE1-T037	R100-0403-06T-XXX-R27-L14	75S	265S	.018	3	87	21
PBSE-010-TE1-T08	F200-1006-02-XXX-R27-L14	274K	281K	.018	6	123	197
PBSE-010-TE2	R375-SP08-02T-XXX-R27-L14	75S	265S	.018	8	107	124
PBSE-020	R200-0403-02T-XXX-R27-L14	01S	93S	.018	3	93	54
PBSE-020-TE1-T037	R200-0404-01T-XXX-R27-L14	01S	93S	.018	4	94	58
PBSE-020-TE1-T08	F200-1006-02-XXX-R27-L14	274K	281K	.018	6	123	197
PBSE-020-TE2	R375-SP08-02T-XXX-R27-L14	75S	265S	.018	8	107	124
PBSE-025	R375-SP08-02T-XXX-R27-L14	75S	265S	.018	8	107	124
PBSE-030	R200-0404-01T-XXX-R27-L14	01S	93S	.018	4	94	58
PBSE-030-TE1-T037	R200-0403-02T-XXX-R27-L14	01S	93S	.018	3	93	54
PBSE-030-TE1-T08	F200-1006-02-XXX-R27-L14	274K	281K	.018	6	123	197
PBSE-030-TE2	R375-SP08-02T-XXX-R27-L14	75S	265S	.018	8	107	124
S-010	R400-0803-02T-XXX-R27-L14	01S	93S	.018	3	109	134
S-010-TE2	R400-0804-01T-XXX-R27-L14	01S	93S	.018	4	109	135
S-020	R375-SP08-02T-XXX-R27-L14	75S	265S	.018	8	107	124
S-020-TE2	R200-0403-02T-XXX-R27-L14	01S	93S	.018	3	93	54
S-025	R200-0403-02T-XXX-R27-L14	01S	93S	.018	3	93	54
S-025-QD	R395-SP06-01T-XXX-R27-L14	01S	93S	.018	6	108	130
S-025-TE2	R375-SP08-02T-XXX-R27-L14	75S	265S	.018	8	107	124
S-050	R400-0803-02T-XXX-R27-L14	01S	93S	.018	3	109	134
S-050-TE2	R200-0403-02T-XXX-R27-L14	01S	93S	.018	3	93	54
S-078-QD	R395-SP06-01T-XXX-R27-L14	01S	93S	.018	6	108	130
S-100	R710-SP03-01N-XXX-R27-L14	01S	93S	.018	3	117	176
S-100-TE2	R375-SP08-01N-XXX-R27-L14	75S	265S	.018	8	107	123
S-113	R710-SP03-01N-XXX-R27-L14	01S	93S	.018	3	117	176
S-2.2.010	R200-0404-01T-XXX-R27-L14	01S	93S	.018	4	94	58
S-2.2.025	R200-0404-01T-XXX-R27-L14	01S	93S	.018	4	94	58
S-50-TE2	R200-0403-02T-XXX-R27-L14	01S	93S	.018	3	93	54
S-50-TE2	R400-0804-01T-XXX-R27-L14	01S	93S	.018	4	109	135
SG-025-20	R375-SP08-02T-XXX-R27-L14	75S	265S	.018	8	107	124
S-IGA-030	R400-0804-01T-XXX-R27-L14	01S	93S	.018	4	109	135
S-IGA-050	R400-0804-01T-XXX-R27-L14	01S	93S	.018	4	109	135
UVA-025	R200-0404-01T-XXX-R27-L14	01S	93S	.018	4	94	58
UVS-010	R100-0403-06T-XXX-R27-L14	75S	265S	.018	3	87	21
UVS-010-TE2	R375-SP08-02T-XXX-R27-L14	75S	265S	.018	8	107	124
UVS-020	R200-0404-01T-XXX-R27-L14	01S	93S	.018	4	94	58
UVS-020-TE2	R200-0403-02T-XXX-R27-L14	01S	93S	.018	3	93	54
UVS-025	R200-0403-02T-XXX-R27-L14	01S	93S	.018	3	93	54
UVS-025	R200-0404-01T-XXX-R27-L14	01S	93S	.018	4	94	58
UVS-025-TE2	R200-0403-02T-XXX-R27-L14	01S	93S	.018	3	93	54
UVS-025-TE2	R375-SP08-02T-XXX-R27-L14	75S	265S	.018	8	107	124
UVS-050	R400-0803-02T-XXX-R27-L14	01S	93S	.018	3	109	134
UVS-050	R400-0804-01T-XXX-R27-L14	01S	93S	.018	4	109	135
UVS-050-TE2	R200-0403-02T-XXX-R27-L14	01S	93S	.018	3	93	54
UVS-050-TE2	R375-SP08-02T-XXX-R27-L14	75S	265S	.018	8	107	124
UVS-100	R710-SP03-01N-XXX-R27-L14	01S	93S	.018	3	117	176
UVS-100-TE2	R375-SP08-02T-XXX-R27-L14	75S	265S	.018	8	107	124
UVS-113	R710-SP03-01N-XXX-R27-L14	01S	93S	.018	3	117	176

Electro-Optical System, Inc. Sockets <i>Continued</i>							
Electro-Optical System, Inc. Sockets Part Number	Andon Part Number Replace "XXX" w with Terminal Type	Terminal Type		Pin Ø [in]	Pin Qty.	Page Number	Figure Number
		Thru-Hole	Surface Mount				
UVS-2.2-010	R200-0404-01T-XXX-R27-L14	01S	93S	.018	4	94	58
UVS-2.2-020-TE2	R200-0403-02T-XXX-R27-L14	01S	93S	.018	3	93	54
UVS-2.2-025	R200-0404-01T-XXX-R27-L14	01S	93S	.018	4	94	58
UVS-2.2-025-TE2	R200-0403-02T-XXX-R27-L14	01S	93S	.018	3	93	54

Electrovac AG Sockets							
Electrovac AG Sockets Part Number	Andon Part Number Replace "XXX" w with Terminal Type	Terminal Type		Pin Ø [in]	Pin Qty.	Page Number	Figure Number
		Thru-Hole	Surface Mount				
SO-A0-001	R200-0404-01T-XXX-R27-L14	01S	93S	.018	4	94	58
SO-A0-010	R200-0404-01T-XXX-R27-L14	01S	93S	.018	4	94	58
SO-A0-020	R200-0404-01T-XXX-R27-L14	01S	93S	.018	4	94	58
SO-A0-050	R200-0404-01T-XXX-R27-L14	01S	93S	.018	4	94	58
SO-A0-250	R200-0404-01T-XXX-R27-L14	01S	93S	.018	4	94	58
SO-A0-960	R200-0404-01T-XXX-R27-L14	01S	93S	.018	4	94	58
SO-B0-001	R400-0804-01T-XXX-R27-L14	295V	439V	.030	4	109	136
SO-B0-010	R400-0804-01T-XXX-R27-L14	295V	439V	.030	4	109	136
SO-B0-020	R400-0804-01T-XXX-R27-L14	295V	439V	.030	4	109	136
SO-B0-050	R400-0804-01T-XXX-R27-L14	295V	439V	.030	4	109	136
SO-B0-250	R400-0804-01T-XXX-R27-L14	295V	439V	.030	4	109	136
SO-B0-960	R400-0804-01T-XXX-R27-L14	295V	439V	.030	4	109	136

Euro-Gas Management Services Ltd. Sockets							
Euri-Gas Management Services Ltd. Sockets Part Number	Andon Part Number Replace "XXX" w with Terminal Type	Terminal Type		Pin Ø [in]	Pin Qty.	Page Number	Figure Number
		Thru-Hole	Surface Mount				
ECO-SURE LXH	R530-0402-02N-XXX-R27-L14	436P55	440P55	.060	2	114	159
ECO-SURE (2e)	R530-0402-02N-XXX-R27-L14	436P55	440P55	.060	2	114	159
ECO-SURE (2e)+4-20mA p.c.b.	R530-0402-02N-XXX-R27-L14	436P55	440P55	.060	2	114	159
H2 SS - 4 SERIES	R530-0403-01T-XXX-R27-L14	436P55	440P55	.060	3	114	160

Everlight Sensor Sockets							
Everlight Sockets Part Number	Andon Part Number Replace "XXX" w with Terminal Type	Terminal Type		Pin Ø [in]	Pin Qty.	Page Number	Figure Number
		Thru-Hole	Surface Mount				
423-2ASUGC/S400-A6/XTR1	R100-0402-01T-XXX-R27-L14	75S	265S	.018	2	86	12
423-2UYC/S530-A6	R100-0402-01T-XXX-R27-L14	75S	265S	.018	2	86	12
HIR204C	R100-0402-01T-XXX-R27-L14	75S	265S	.018	2	86	12
HIR204/H0	R100-0402-01T-XXX-R27-L14	75S	265S	.018	2	86	12
HIR234C	R100-0402-01T-XXX-R27-L14	75S	265S	.018	2	86	12
IR204-A	R100-0402-01T-XXX-R27-L14	75S	265S	.018	2	86	12
IR204/H16/L10	R100-0402-01T-XXX-R27-L14	75S	265S	.018	2	86	12
IR204/H60	R100-0402-01T-XXX-R27-L14	75S	265S	.018	2	86	12
IR204C/H16/L10	R100-0402-01T-XXX-R27-L14	75S	265S	.018	2	86	12
PD204-6B	R100-0402-01T-XXX-R27-L14	75S	265S	.018	2	86	12
PD204-6C/L3	R100-0402-01T-XXX-R27-L14	75S	265S	.018	2	86	12
PD333-3B/H0/L2	R100-0402-01T-XXX-R27-L14	75S	265S	.018	2	86	12
PD333-3C/H0/L2	R100-0402-01T-XXX-R27-L14	75S	265S	.018	2	86	12
PD438B/L1	R100-0402-01T-XXX-R27-L14	75S	265S	.018	2	86	12
PD438C	R100-0402-01T-XXX-R27-L14	75S	265S	.018	2	86	12
PD438C/S46	R100-0402-01T-XXX-R27-L14	75S	265S	.018	2	86	12
SIR204-A	R100-0402-01T-XXX-R27-L14	75S	265S	.018	2	86	12
SIR204C	R100-0402-01T-XXX-R27-L14	75S	265S	.018	2	86	12
SIR234	R100-0402-01T-XXX-R27-L14	75S	265S	.018	2	86	12

Fermionics Opto-Technology Sockets							
Fermionics Opto-Technology Sockets Part Number	Andon Part Number Replace "XXX" w ith Terminal Type	Terminal Type		Pin Ø [in]	Pin Qty.	Page Number	Figure Number
		Thru-Hole	Surface Mount				
FD80W	R100-0403-06T-XXX-R27-L14	75S	265S	.018	3	87	21
FD80L	R100-0403-06T-XXX-R27-L14	75S	265S	.018	3	87	21
FD80FC	R100-SP03-02T-XXX-R27-L14	274K	281K	.018	3	89	32
FD80SC	R100-SP03-02T-XXX-R27-L14	274K	281K	.018	3	89	32
FD80ST	R100-SP03-02T-XXX-R27-L14	274K	281K	.018	3	89	32
FD100W	R100-0403-06T-XXX-R27-L14	75S	265S	.018	3	87	21
FD100L	R100-0403-06T-XXX-R27-L14	75S	265S	.018	3	87	21
FD100FC	R100-SP03-02T-XXX-R27-L14	274K	281K	.018	3	89	32
FD100SC	R100-SP03-02T-XXX-R27-L14	274K	281K	.018	3	89	32
FD100ST	R100-SP03-02T-XXX-R27-L14	274K	281K	.018	3	89	32
FD150W	R100-0403-06T-XXX-R27-L14	75S	265S	.018	3	87	21
FD150L	R100-0403-06T-XXX-R27-L14	75S	265S	.018	3	87	21
FD150FC	R100-SP03-02T-XXX-R27-L14	274K	281K	.018	3	89	32
FD150SC	R100-SP03-02T-XXX-R27-L14	274K	281K	.018	3	89	32
FD150ST	R100-SP03-02T-XXX-R27-L14	274K	281K	.018	3	89	32
FD300W	R100-0403-06T-XXX-R27-L14	75S	265S	.018	3	87	21
FD300L	R100-0403-06T-XXX-R27-L14	75S	265S	.018	3	87	21
FD300ST	R100-SP03-02T-XXX-R27-L14	274K	281K	.018	3	89	32
FD300FC	R100-SP03-02T-XXX-R27-L14	274K	281K	.018	3	89	32
FD300SC	R100-SP03-02T-XXX-R27-L14	274K	281K	.018	3	89	32
FD500W	R100-0403-06T-XXX-R27-L14	75S	265S	.018	3	87	21
FD500-OP15AR	R100-SP03-02T-XXX-R27-L14	274K	281K	.018	3	89	32
FD1000W	R100-0403-06T-XXX-R27-L14	75S	281S	.018	3	87	21
FD1500W	R100-0403-06T-XXX-R27-L14	75S	281S	.018	3	87	21
FD2000W	R200-0403-02T-XXX-R27-L14	01S	93S	.018	3	93	54
FD3000W	R200-0403-02T-XXX-R27-L14	01S	93S	.018	3	93	54
FD5000W	R290-0403-01T-XXX-R27-L14	01S	93S	.018	3	102	99
FRL2003DS	R100-SP05-01T-XXX-G10-L14	C2	N/A	.018	5	89	33

Figaro USA, Inc. Sockets							
Figaro USA, Inc. Sockets Part Number	Andon Part Number Replace "XXX" w ith Terminal Type	Terminal Type		Pin Ø [in]	Pin Qty.	Page Number	Figure Number
		Thru-Hole	Surface Mount				
TGS 2103	R300-SP04-01T-XXX-R27-L14	295V	439V	.030	4	103	107
TGS-2104	R300-SP04-01T-XXX-R27-L14	295V	439V	.030	4	103	107
TGS-2180	R200-SP03-01T-XXX-R27-L14	295V	439V	.030	3	97	73
TGS-2201	R300-SP04-01T-XXX-R27-L14	295V	439V	.030	4	103	107
TGS-2442	R200-0404-01T-XXX-R27-L14	01S	93S	.018	4	94	58
TGS-2600	R200-0404-01T-XXX-R27-L14	01S	93S	.018	4	94	58
TGS-2602	R200-0404-01T-XXX-R27-L14	01S	93S	.018	4	94	58
TGS-2610	R200-0404-01T-XXX-R27-L14	01S	93S	.018	4	94	58
TGS-2611	R200-0404-01T-XXX-R27-L14	01S	93S	.018	4	94	58
TGS-2612	R200-0404-01T-XXX-R27-L14	01S	93S	.018	4	94	58
TGS-2620	R200-0404-01T-XXX-R27-L14	01S	93S	.018	4	94	58
TGS-3870	R200-SP03-01T-XXX-R27-L14	295V	439V	.030	3	97	73
TGS-4160	R375-0806-01T-XXX-R27-L14	433E	285E	.040	6	106	120
TGS-6810	R240-SP04-01T-XXX-R27-L14	295V	439V	.030	4	100	92
TGS-6812	R240-SP04-01T-XXX-R27-L14	295V	439V	.030	4	100	92
TGS-4161	R200-0404-01T-XXX-R27-L14	01S	93S	.018	4	94	58
TGS 6810	R240-SP04-01T-XXX-R27-L14	295V	439V	.030	4	100	92
TGS 6812	R240-SP04-01T-XXX-R27-L14	295V	439V	.030	4	100	92
TGS 800	R375-0806-01T-XXX-R27-L14	433E	285E	.040	6	106	120
TGS-813	R375-0806-01T-XXX-R27-L14	433E	285E	.040	6	106	120
TGS-821	R375-0806-01T-XXX-R27-L14	433E	285E	.040	6	106	120
TGS-822	R375-0806-01T-XXX-R27-L14	433E	285E	.040	6	106	120
TGS-825	R375-0806-01T-XXX-R27-L14	433E	285E	.040	6	106	120

Figaro USA, Inc. Sockets <i>Continued</i>							
Figaro USA, Inc. Sockets Part Number	Andon Part Number Replace "XXX" w ith Terminal Type	Terminal Type		Pin Ø [in]	Pin Qty.	Page Number	Figure Number
		Thru-Hole	Surface Mount				
TGS-826	R375-0806-01T-XXX-R27-L14	433E	285E	.040	6	106	120
TGS-830	R375-0806-01T-XXX-R27-L14	433E	285E	.040	6	106	120
TGS-831	R375-0806-01T-XXX-R27-L14	433E	285E	.040	6	106	120
TGS-832	R375-0806-01T-XXX-R27-L14	433E	285E	.040	6	106	120
TGS-842	R375-0806-01T-XXX-R27-L14	433E	285E	.040	6	106	120

First Sensor Technology Sockets							
First Sensor Technology Sockets Part Number	Andon Part Number Replace "XXX" w ith Terminal Type	Terminal Type		Pin Ø [in]	Pin Qty.	Page Number	Figure Number
		Thru-Hole	Surface Mount				
K-Series A/G	R300-SP07-01T-XXX-R27-L14	01S	93S	.018	7	104	112
K-Series D	R300-SP07-01T-XXX-R27-L14	01S	93S	.018	7	104	112

FIS, Inc. Sockets							
FIS, Inc. Sockets Part Number	Andon Part Number Replace "XXX" w ith Terminal Type	Terminal Type		Pin Ø [in]	Pin Qty.	Page Number	Figure Number
		Thru-Hole	Surface Mount				
SB-11A	R200-SP03-01T-XXX-R27-L14	295V	439V	.030	3	97	73
SB-12A	R200-SP03-01T-XXX-R27-L14	295V	439V	.030	3	97	73
SB-15	R200-SP03-01T-XXX-R27-L14	295V	439V	.030	3	97	73
SB-19	R200-SP03-01T-XXX-R27-L14	295V	439V	.030	3	97	73
SB-30	R200-SP03-01T-XXX-R27-L14	295V	439V	.030	3	97	73
SB-41	R200-SP03-01T-XXX-R27-L14	295V	439V	.030	3	97	73
SB-42A	R200-SP03-01T-XXX-R27-L14	295V	439V	.030	3	97	73
SB-500-12	R200-SP03-01T-XXX-R27-L14	295V	439V	.030	3	97	73
SB-95-12	R200-SP03-01T-XXX-R27-L14	295V	439V	.030	3	97	73
SB-AQ1	R200-SP03-01T-XXX-R27-L14	295V	439V	.030	3	97	73
SP-11	R375-0805-01T-XXX-R27-L14	433E	285E	.040	5	106	118
SP-12A	R375-0805-01T-XXX-R27-L14	433E	285E	.040	5	106	118
SP-15A	R375-0805-01T-XXX-R27-L14	433E	285E	.040	5	106	118
SP-19	R375-0805-01T-XXX-R27-L14	433E	285E	.040	5	106	118
SP-31	R375-0805-01T-XXX-R27-L14	433E	285E	.040	5	106	118
SP3-AQ2	R200-SP03-01T-XXX-R27-L14	295V	439V	.030	3	97	73
SP3S-AQ2	R200-SP03-01T-XXX-R27-L14	295V	439V	.030	3	97	73
SP-41	R375-0805-01T-XXX-R27-L14	433E	285E	.040	5	106	118
SP-42A	R375-0805-01T-XXX-R27-L14	433E	285E	.040	5	106	118
SP-53A	R375-0805-01T-XXX-R27-L14	433E	285E	.040	5	106	118
SP-53B	R375-0805-01T-XXX-R27-L14	433E	285E	.040	5	106	118

The Fox Group, Inc. Sockets							
The Fox Group, Inc. Sockets Part Number	Andon Part Number Replace "XXX" w ith Terminal Type	Terminal Type		Pin Ø [in]	Pin Qty.	Page Number	Figure Number
		Thru-Hole	Surface Mount				
LED 5mm ROUND (350 nm)	R100-0402-01T-XXX-R27-L14	75S	265S	.018	2	86	12
LED 5mm ROUND (360 nm)	R100-0402-01T-XXX-R27-L14	75S	265S	.018	2	86	12
LED TO-18 GLASS BALL LENS	R100-0402-01T-XXX-R27-L14	75S	265S	.018	2	86	12
LED TO-18 GLASS BALL LENS (350nm)	R100-0402-01T-XXX-R27-L14	75S	265S	.018	2	86	12
LED TO-18 GLASS WINDOW	R100-0402-01T-XXX-R27-L14	75S	265S	.018	2	86	12
LED TO-18 GLASS WINDOW (350nm)	R100-0402-01T-XXX-R27-L14	75S	265S	.018	2	86	12
POWER PACK, 60 DIE (350mm)	F325-0402-01-XXX-R27-L14	295V	439V	.030	2	123	198
POWER PACK, 60 DIE (360mm)	F325-0402-01-XXX-R27-L14	295V	439V	.030	2	123	198

Frankfurt Laser Company Sockets							
Frankfurt Laser Company Sockets Part Number	Andon Part Number Replace "XXX" w ith Terminal Type	Terminal Type		Pin Ø [in]	Pin Qty.	Page Number	Figure Number
		Thru-Hole	Surface Mount				
TO-18	R100-0402-01T-XXX-R27-L14	75S	265S	.018	2	86	12
TO-8	R375-SP06-02T-XXX-R27-L14	75S	265S	.018	6	106	122

Frankfurt Laser Company Sockets <i>Continued</i>							
Frankfurt Laser Company Sockets Part Number	Andon Part Number Replace "XXX" w ith Terminal Type	Terminal Type		Pin Ø [in]	Pin Qty.	Page Number	Figure Number
		Thru-Hole	Surface Mount				
TYPE "C" (Ø11.4mm)	R255-SP04-01T-XXX-R27-L14	01S	93S	.018	4	101	93
TYPE "D" (TO-3)	F500-SP09-01-XXX-R27-L14	433E	285E	.040	9	125	208
TYPE "G" (SOT-148)	R100-0403-01T-XXX-R27-L14	75S	265S	.018	3	87	18
TYPE "GR"	R100-0404-02T-XXX-R27-L14	75S	265S	.018	4	88	26
TYPE "MB"	R375-SP16-01T-XXX-R27-L14	75S	265S	.018	16	107	125
TYPE "MG"	R080-0403-01N-XXX-R27-L14	274K	281K	.018	3	86	9
TYPE "N"	R100-0403-01T-XXX-R27-L14	75S	265S	.018	3	87	18

Fujikura USA Sockets							
Fujikura USA Sockets Part Number	Andon Part Number Replace "XXX" w ith Terminal Type	Terminal Type		Pin Ø [in]	Pin Qty.	Page Number	Figure Number
		Thru-Hole	Surface Mount				
FCX-UC	R375-0805-02T-XXX-R27-L14	433E	285E	.040	5	106	119
FCX-UWC	R375-0805-02T-XXX-R27-L14	433E	285E	.040	5	106	119

Genicom Sockets							
Genicom Sockets Part Number	Andon Part Number Replace "XXX" w ith Terminal Type	Terminal Type		Pin Ø [in]	Pin Qty.	Page Number	Figure Number
		Thru-Hole	Surface Mount				
GUVA-T11GD	R100-0402-06T-XXX-R27-L14	75S	265S	.018	2	87	17
GUVA-T11GD-L	R100-0402-06T-XXX-R27-L14	75S	265S	.018	2	87	17
GUVA-T21GH	R200-0403-01T-XXX-R27-L14	01S	93S	.018	3	93	53
GUVA-T21GD-U	R200-0403-01T-XXX-R27-L14	01S	93S	.018	3	93	53
GUVB-T11GD	R100-0402-06T-XXX-R27-L14	75S	265S	.018	2	87	17
GUVB-T11GD-L	R100-0402-06T-XXX-R27-L14	75S	265S	.018	2	87	17
GUVB-T21GD-U	R200-0403-01T-XXX-R27-L14	01S	93S	.018	3	93	53
GUVB-T21GH	R200-0403-01T-XXX-R27-L14	01S	93S	.018	3	93	53
GUVV-T10GD	R100-0402-06T-XXX-R27-L14	75S	265S	.018	2	87	17
GUVV-T10GD-L	R100-0402-06T-XXX-R27-L14	75S	265S	.018	2	87	17
GUVV-T20GD-U	R200-0403-01T-XXX-R27-L14	01S	93S	.018	3	93	53
GUVV-T20GH	R200-0403-01T-XXX-R27-L14	01S	93S	.018	3	93	53
GUVV-T10GD	R100-0402-06T-XXX-R27-L14	75S	265S	.018	2	87	17
GUVV-T10GD-L	R100-0402-06T-XXX-R27-L14	75S	265S	.018	2	87	17
GUVV-T20GD-U	R200-0403-01T-XXX-R27-L14	01S	93S	.018	3	93	53
GUVV-T20GH	R200-0403-01T-XXX-R27-L14	01S	93S	.018	3	93	53
GVBL-T10GD	R100-0402-06T-XXX-R27-L14	75S	265S	.018	2	87	17
GVBL-T11GD	R100-0402-06T-XXX-R27-L14	75S	265S	.018	2	87	17
GVGR-T10GD	R100-0402-06T-XXX-R27-L14	74S	265S	.018	2	87	17

Goodrich Corporation Sockets							
Goodrich Corporation Sockets Part Number	Andon Part Number Replace "XXX" w ith Terminal Type	Terminal Type		Pin Ø [in]	Pin Qty.	Page Number	Figure Number
		Thru-Hole	Surface Mount				
SU200-01A-TO	R100-0805-01T-XXX-G10-L14	C2	N/A	.018	5	88	27

GPD Optoelectronics Corporation Sockets							
GPD Optoelectronics Corporation Sockets Part Number	Andon Part Number Replace "XXX" w ith Terminal Type	Terminal Type		Pin Ø [in]	Pin Qty.	Page Number	Figure Number
		Thru-Hole	Surface Mount				
FC ACTIVE MOUNT	R100-SP03-02T-XXX-R27-L14	274K	281K	.018	3	89	32
FIBER-PIGTAILED DETECTOR	R100-SP03-02T-XXX-R27-L14	274K	281K	.018	3	89	32
SC ACTIVE MOUNT	R100-SP03-02T-XXX-R27-L14	274K	281K	.018	3	89	32
SI/GE TWO-COLOR DETECTOR	R400-0804-01T-XXX-R27-L14	01S	93S	.018	4	109	135
ST ACTIVE MOUNT	R100-SP03-02T-XXX-R27-L14	274K	281K	.018	3	89	32
TO-18 (CHIP DIA. TO 2mm)	R100-0402-01T-XXX-R27-L14	75S	265S	.018	2	86	12
TO-18 W/LENS CAP (CHIP DIA. TO 2mm)	R100-0402-01T-XXX-R27-L14	75S	265S	.018	2	86	12
TO-5 (CHIP DIA. TO 3mm)	R200-0402-02T-XXX-R27-L14	01S	93S	.018	2	92	49
TO-5 W/LENS CAP (CHIP DIA. TO 3mm)	R200-0402-02T-XXX-R27-L14	01S	93S	.018	2	92	49

GPD Optoelectronics Corporation Sockets <i>Continued</i>							
GPD Optoelectronics Corporation Sockets Part Number	Andon Part Number Replace "XXX" w ith Terminal Type	Terminal Type		Pin Ø [in]	Pin Qty.	Page Number	Figure Number
		Thru-Hole	Surface Mount				
TO-5 W/TEC (CHIP DIA. TO 3mm)	R200-0808-01T-XXX-R27-L14	75S	265S	.018	8	96	68
TO-8 (5mm CHIP)	R295-0402-01T-XXX-R27-L14	01S	93S	.018	2	102	100
TO-8 W/TEC (CHIP DIA TO 5mm)	R370-SP06-01T-XXX-R27-L14	274K	281K	.018	6	105	117
TO-9 (CHIP DIA. TO 13mm)	R720-0402-01T-XXX-R27-L14	01S	93S	.018	2	118	178

Hamamatsu Photonics K.K. Sockets							
Hamamatsu Photonics K.K. Sockets Part Number	Andon Part Number Replace "XXX" w ith Terminal Type	Terminal Type		Pin Ø [in]	Pin Qty.	Page Number	Figure Number
		Thru-Hole	Surface Mount				
G5851-11	R450-SP06-02T-XXX-R27-L14	01S	93S	.018	6	112	148
G5851-13	R450-SP06-02T-XXX-R27-L14	01S	93S	.018	6	112	148
G5851-103	R450-SP06-02T-XXX-R27-L14	01S	93S	.018	6	112	148
G5852-11	R450-SP06-02T-XXX-R27-L14	01S	93S	.018	6	112	148
G5852-13	R450-SP06-02T-XXX-R27-L14	01S	93S	.018	6	112	148
G5852-21	R450-SP06-02T-XXX-R27-L14	01S	93S	.018	6	112	148
G5852-103	R450-SP06-02T-XXX-R27-L14	01S	93S	.018	6	112	148
G6370-05	R295-0403-01T-XXX-R27-L14	01S	93S	.018	3	102	102
G6370-85	R295-0403-01T-XXX-R27-L14	01S	93S	.018	3	102	102
G6849-01	R230-0808-01T-XXX-R27-L14	75S	265S	.018	8	99	86
G6854-01	R100-0403-01T-XXX-R27-L14	75S	265S	.018	3	87	18
G7096-01	R100-0403-01T-XXX-R27-L14	75S	265S	.018	3	87	18
G8370-01	R200-0403-04T-XXX-R27-L14	01S	93S	.018	3	93	57
G8370-02	R200-0403-04T-XXX-R27-L14	01S	93S	.018	3	93	57
G8370-03	R200-0403-04T-XXX-R27-L14	01S	93S	.018	3	93	57
G8370-05	R295-0403-01T-XXX-R27-L14	01S	93S	.018	3	102	102
G8370-81	R100-0403-01T-XXX-R27-L14	75S	265S	.018	3	87	18
G8370-82	R200-0403-04T-XXX-R27-L14	01S	93S	.018	3	93	57
G8370-83	R200-0403-04T-XXX-R27-L14	01S	93S	.018	3	93	57
G8370-85	R295-0403-01T-XXX-R27-L14	01S	93S	.018	3	102	102
G8371	R100-0403-01T-XXX-R27-L14	75S	265S	.018	3	87	18
G8371-01	R100-0403-01T-XXX-R27-L14	75S	265S	.018	3	87	18
G8371-03	R100-0403-01T-XXX-R27-L14	75S	265S	.018	3	87	18
G8372-01	R100-0403-01T-XXX-R27-L14	75S	265S	.018	3	87	18
G8372-03	R200-0403-04T-XXX-R27-L14	01S	93S	.018	3	93	57
G8373-01	R100-0403-01T-XXX-R27-L14	75S	265S	.018	3	87	18
G8373-03	R200-0403-04T-XXX-R27-L14	01S	93S	.018	3	93	57
G8376-02	R100-0403-01T-XXX-R27-L14	75S	265S	.018	3	87	18
G8376-03	R100-0403-01T-XXX-R27-L14	75S	265S	.018	3	87	18
G8376-05	R100-0403-01T-XXX-R27-L14	75S	265S	.018	3	87	18
G8376-10	R100-0403-01T-XXX-R27-L14	75S	265S	.018	3	87	18
G8421-03	R100-0403-01T-XXX-R27-L14	75S	265S	.018	3	87	18
G8421-05	R100-0403-01T-XXX-R27-L14	75S	265S	.018	3	87	18
G8422-03	R100-0403-01T-XXX-R27-L14	75S	265S	.018	3	87	18
G8422-05	R100-0403-01T-XXX-R27-L14	75S	265S	.018	3	87	18
G8423-03	R100-0403-01T-XXX-R27-L14	75S	265S	.018	3	87	18
G8423-05	R100-0403-01T-XXX-R27-L14	75S	265S	.018	3	87	18
G8605-11	R450-SP06-02T-XXX-R27-L14	01S	93S	.018	6	112	148
G8605-12	R450-SP06-02T-XXX-R27-L14	01S	93S	.018	6	112	148
G8605-13	R450-SP06-02T-XXX-R27-L14	01S	93S	.018	6	112	148
G8605-15	R450-SP06-02T-XXX-R27-L14	01S	93S	.018	6	112	148
G8605-21	R450-SP06-02T-XXX-R27-L14	01S	93S	.018	6	112	148
G8605-22	R450-SP06-02T-XXX-R27-L14	01S	93S	.018	6	112	148
G8605-23	R450-SP06-02T-XXX-R27-L14	01S	93S	.018	6	112	148
G8605-25	R450-SP06-02T-XXX-R27-L14	01S	93S	.018	6	112	148
K1713-05	R200-0404-01T-XXX-R27-L14	01S	93S	.018	4	94	58
K1713-08	R200-0404-01T-XXX-R27-L14	01S	93S	.018	4	94	58

Hamamatsu Photonics K.K. Sockets *Continued*

Hamamatsu Photonics K.K. Sockets Part Number	Andon Part Number Replace "XXX" w ith Terminal Type	Terminal Type		Pin Ø [in]	Pin Qty.	Page Number	Figure Number
		Thru-Hole	Surface Mount				
K1713-09	R200-0404-01T-XXX-R27-L14	01S	93S	.018	4	94	58
K3413-01	R400-SP12-02T-XXX-R27-L14	01S	93S	.018	12	111	143
K3413-02	R400-SP12-02T-XXX-R27-L14	01S	93S	.018	12	111	143
K3413-05	R400-SP12-02T-XXX-R27-L14	01S	93S	.018	12	111	143
K3413-08	R400-SP12-02T-XXX-R27-L14	01S	93S	.018	12	111	143
K3413-09	R400-SP12-02T-XXX-R27-L14	01S	93S	.018	12	111	143
L6690	R100-0403-01T-XXX-R27-L14	75S	265S	.018	3	87	18
L7055-04	R100-0403-01T-XXX-R27-L14	75S	265S	.018	3	87	18
L7060-02	R100-0402-06T-XXX-R27-L14	75S	265S	.018	2	87	17
L7650	R080-0403-01N-XXX-R27-L14	274K	281K	.018	3	86	9
L7650-53	R080-0403-01N-XXX-R27-L14	274K	281K	.018	3	86	9
L7690-02	R100-0402-06T-XXX-R27-L14	75S	265S	.018	2	87	17
L7695-04	R100-0403-01T-XXX-R27-L14	75S	265S	.018	3	87	18
L7910	R100-0403-01T-XXX-R27-L14	75S	265S	.018	3	87	18
L8048-04	R100-0403-01T-XXX-R27-L14	75S	265S	.018	3	87	18
L8414-04	R100-0403-01T-XXX-R27-L14	75S	265S	.018	3	87	18
L8446-04	R100-0403-01T-XXX-R27-L14	75S	265S	.018	3	87	18
L8446-42	R100-0403-01T-XXX-R27-L14	75S	265S	.018	3	87	18
L8763-04	R100-0403-01T-XXX-R27-L14	75S	265S	.018	3	87	18
L8763-41	R100-0403-01T-XXX-R27-L14	75S	265S	.018	3	87	18
L8763-42	R100-0403-01T-XXX-R27-L14	75S	265S	.018	3	87	18
L8933-04	R100-0403-01T-XXX-R27-L14	75S	265S	.018	3	87	18
L8933-41	R100-0403-01T-XXX-R27-L14	75S	265S	.018	3	87	18
L8933-42	R100-0403-01T-XXX-R27-L14	75S	265S	.018	3	87	18
L9277-04	R100-0403-01T-XXX-R27-L14	75S	265S	.018	3	87	18
L9418-04	R100-0403-01T-XXX-R27-L14	75S	265S	.018	3	87	18
P2038-02	R450-SP06-02T-XXX-R27-L14	01S	93S	.018	6	112	148
P2038-03	R450-SP06-02T-XXX-R27-L14	01S	93S	.018	6	112	148
P2532-01	R450-SP06-02T-XXX-R27-L14	01S	93S	.018	6	112	148
P2680-02	R450-SP06-02T-XXX-R27-L14	01S	93S	.018	6	112	148
P2680-03	R450-SP06-02T-XXX-R27-L14	01S	93S	.018	6	112	148
P2682-01	R450-SP06-02T-XXX-R27-L14	01S	93S	.018	6	112	148
P2750	F500-SP07-01-XXX-R27-L14	433E	285E	.040	7	124	207
P2750-06	F500-SP07-01-XXX-R27-L14	433E	285E	.040	7	124	207
P2750-08	R450-SP06-02T-XXX-R27-L14	01S	93S	.018	6	112	148
P2830-02	R450-SP06-02T-XXX-R27-L14	01S	93S	.018	6	112	148
P3207-05	R200-0403-04T-XXX-R27-L14	01S	93S	.018	3	93	57
P3257-31	R450-SP06-02T-XXX-R27-L14	01S	93S	.018	6	112	148
P3981	R450-SP06-02T-XXX-R27-L14	01S	93S	.018	6	112	148
P3981-01	F355-SP06-01-XXX-R27-L14	274K	281K	.018	6	123	200
P6606-110	R450-SP06-02T-XXX-R27-L14	01S	93S	.018	6	112	148
P6606-210	R450-SP06-02T-XXX-R27-L14	01S	93S	.018	6	112	148
P6606-305	F500-SP07-01-XXX-R27-L14	433E	285E	.040	7	124	207
P6606-310	F500-SP07-01-XXX-R27-L14	433E	285E	.040	7	124	207
P6606-320	F500-SP07-01-XXX-R27-L14	433E	285E	.040	7	124	207
P791-11	R200-0403-04T-XXX-R27-L14	01S	93S	.018	3	93	57
P791-13	R200-0403-04T-XXX-R27-L14	01S	93S	.018	3	93	57
P8079-01	R200-0403-04T-XXX-R27-L14	01S	93S	.018	3	93	57
P8079-11	R450-SP06-02T-XXX-R27-L14	01S	93S	.018	6	112	148
P8079-21	R450-SP06-02T-XXX-R27-L14	01S	93S	.018	6	112	148
P9217-02	R200-0403-04T-XXX-R27-L14	01S	93S	.018	3	93	57
P9217-03	R200-0403-04T-XXX-R27-L14	01S	93S	.018	3	93	57
P9217-04	R295-0403-01T-XXX-R27-L14	01S	93S	.018	3	102	102
P9696-02	R200-0403-04T-XXX-R27-L14	01S	93S	.018	3	93	57
P9696-03	R200-0403-04T-XXX-R27-L14	01S	93S	.018	3	93	57

Hamamatsu Photonics K.K. Sockets *Continued*

Hamamatsu Photonics K.K. Sockets Part Number	Andon Part Number Replace "XXX" w ith Terminal Type	Terminal Type		Pin Ø [in]	Pin Qty.	Page Number	Figure Number
		Thru-Hole	Surface Mount				
S1200	R710-SP05-01N-XXX-R27-L14	295V	439V	.030	5	118	177
S11499	R200-0403-04T-XXX-R27-L14	01S	93S	.018	3	93	57
S11499-01	R295-0403-01T-XXX-R27-L14	01S	93S	.018	3	102	102
S1300	R710-0404-01N-XXX-R27-L14	295V	439V	.030	4	117	175
S1336-18BK	R100-0402-06T-XXX-R27-L14	75S	265S	.018	2	87	17
S1336-18BQ	R100-0402-06T-XXX-R27-L14	75S	265S	.018	2	87	17
S1336-18BU	R100-0402-06T-XXX-R27-L14	75S	265S	.018	2	87	17
S1336-44BQ	R200-0402-02T-XXX-R27-L14	01S	93S	.018	2	92	49
S1336-5BK	R200-0402-02T-XXX-R27-L14	01S	93S	.018	2	92	49
S1336-5BQ	R200-0402-02T-XXX-R27-L14	01S	93S	.018	2	92	49
S1336-8BK	R295-0402-01T-XXX-R27-L14	01S	93S	.018	2	102	100
S1336-8BQ	R295-0402-01T-XXX-R27-L14	01S	93S	.018	2	102	100
S1880	R710-SP05-01N-XXX-R27-L14	295V	439V	.030	5	118	177
S1881	R1345-SP05-01N-XXX-R27-L14	433E	285E	.040	5	121	189
S2044	R400-SP05-01T-XXX-R27-L14	295V	439V	.030	5	110	138
S4402	R230-0808-01T-XXX-R27-L14	75S	265S	.018	8	99	86
S6045-01	R100-0403-01T-XXX-R27-L14	75S	265S	.018	3	87	18
S6045-02	R100-0403-01T-XXX-R27-L14	75S	265S	.018	3	87	18
S6045-03	R100-0403-01T-XXX-R27-L14	75S	265S	.018	3	87	18
S6045-04	R200-0403-04T-XXX-R27-L14	01S	93S	.018	3	93	57
S6045-05	R200-0403-04T-XXX-R27-L14	01S	93S	.018	3	93	57
S6045-06	R295-0403-01T-XXX-R27-L14	01S	93S	.018	3	102	102
S8745-01	R230-1010-02T-XXX-R27-L14	211S	265S	.018	10	100	88
S8746-01	R400-SP12-02T-XXX-R27-L14	01S	93S	.018	12	111	143
S8785	F700-SP11-01-XXX-R27-L14	433E	285E	.040	11	125	210
S8785-01	F700-SP11-01-XXX-R27-L14	433E	285E	.040	11	125	210
S8785-02	F700-SP11-01-XXX-R27-L14	433E	285E	.040	11	125	210
S9295	F700-SP11-01-XXX-R27-L14	433E	285E	.040	11	125	210
S9295-01	F700-SP11-01-XXX-R27-L14	433E	285E	.040	11	125	210
SB8746	R400-SP12-02T-XXX-R27-L14	01S	93S	.018	12	111	143

Hanwei Electronics, LTD. Sockets

Hanwei Electronics, LTD Sockets Part Number	Andon Part Number Replace "XXX" w ith Terminal Type	Terminal Type		Pin Ø [in]	Pin Qty.	Page Number	Figure Number
		Thru-Hole	Surface Mount				
ME2-CO	R550-0803-01T-XXX-R27-L14	436P55	440P55	.060	3	115	167
ME3-CO	R550-0803-01T-XXX-R27-L14	436P55	440P55	.060	3	115	167
ME3-H2	R550-0803-01T-XXX-R27-L14	436P55	440P55	.060	3	115	167
ME3-H2S	R550-0803-01T-XXX-R27-L14	436P55	440P55	.060	3	115	167
ME3-NH3	R550-0803-01T-XXX-R27-L14	436P55	440P55	.060	3	115	167
ME3-O2	R550-0803-01T-XXX-R27-L14	436P55	440P55	.060	3	115	167
ME4-CO	R670-0803-01T-XXX-R27-L14	436P55	440P55	.060	3	116	169
ME4-H2	R670-0803-01T-XXX-R27-L14	436P55	440P55	.060	3	116	169
ME4-H2S	R670-0803-01T-XXX-R27-L14	436P55	440P55	.060	3	116	169
MQ306A	R167-0403-01T-XXX-R27-L14	01S	93S	.018	3	90	42
MQ307A	R167-0403-01T-XXX-R27-L14	01S	93S	.018	3	90	42
MQ309A	R167-0403-01T-XXX-R27-L14	01S	93S	.018	3	90	42
MQ-2	R375-0806-01T-XXX-R27-L14	433E	285E	.040	6	106	120
MQ-3	R375-0806-01T-XXX-R27-L14	433E	285E	.040	6	106	120
MQ-4	R375-0806-01T-XXX-R27-L14	433E	285E	.040	6	106	120
MQ-5	R375-0806-01T-XXX-R27-L14	433E	285E	.040	6	106	120
MQ-6	R375-0806-01T-XXX-R27-L14	433E	285E	.040	6	106	120
MQ-7	R375-0806-01T-XXX-R27-L14	433E	285E	.040	6	106	120
MQ-8	R375-0806-01T-XXX-R27-L14	433E	285E	.040	6	106	120
MQ-9	R375-0806-01T-XXX-R27-L14	433E	285E	.040	6	106	120
MG-811	R375-0806-01T-XXX-R27-L14	433E	285E	.040	6	106	120

Hanwei Electronics, LTD. Sockets <i>Continued</i>							
Hanwei Electronics, LTD Sockets Part Number	Andon Part Number Replace "XXX" w ith Terminal Type	Terminal Type		Pin Ø [in]	Pin Qty.	Page Number	Figure Number
		Thru-Hole	Surface Mount				
MQ-214	R173-0402-01T-XXX-R27-L14	01S	93S	.018	2	91	44
MR513	R278-0804-01T-XXX-R27-L14	295V	439V	.030	4	101	95

Heimann Sensor GmbH Sockets							
Haimann Sensor GmbH Sockets Part Number	Andon Part Number Replace "XXX" w ith Terminal Type	Terminal Type		Pin Ø [in]	Pin Qty.	Page Number	Figure Number
		Thru-Hole	Surface Mount				
EMIRS200-40/53-0	R200-0403-03T-XXX-R27-L14	75S	265S	.018	3	93	55
HIS A21 F4.26	R230-0404-01T-XXX-R27-L14	01S	93S	.018	4	99	83
HMS J11	R100-0404-01T-XXX-R27-L14	75S	265S	.018	4	88	23
HMS J21	R100-0404-01T-XXX-R27-L14	75S	265S	.018	4	88	23
HMS Z11	R100-0404-01T-XXX-R27-L14	400T4	414T4	.012	4	88	22
HMS Z11 F5.5	R070-0404-02T-XXX-R27-L14	274K	281K	.018	4	85	6
HPS A01B	R200-0403-03T-XXX-R27-L14	75S	265S	.018	3	93	55
HPS A02A	R200-0403-03T-XXX-R27-L14	75S	265S	.018	3	93	55
HPS A02B	R200-0403-03T-XXX-R27-L14	75S	265S	.018	3	93	55
HPS A02E	R200-0403-03T-XXX-R27-L14	75S	265S	.018	3	93	55
HPS A04E	R200-0403-03T-XXX-R27-L14	75S	265S	.018	3	93	55
HPS A04G	R200-0403-03T-XXX-R27-L14	75S	265S	.018	3	93	55
HPS A05F	R200-0403-03T-XXX-R27-L14	75	265S	.018	3	93	55
HPS D10E	R200-0404-01T-XXX-R27-L14	01S	93S	.018	4	94	58
HPS D30E	R400-SP12-02T-XXX-R27-L14	01S	93S	.018	12	111	143
HPS E09E	R200-0403-03T-XXX-R27-L14	75S	265S	.018	3	93	55
HPS E10E	R200-0403-03T-XXX-R27-L14	75S	265S	.018	3	93	55
HPS Q10E	R400-SP12-02T-XXX-R27-L14	01S	93S	.018	12	111	143
HSL 5/115/S	R100-0402-04T-XXX-R27-L15	211S	384S	.018	2	87	15
HSL EMIRS SERIES	R200-0403-03T-XXX-R27-L14	75S	265S	.018	3	93	55
HTS Q21	R200-0806-01T-XXX-R27-L14	211S	384S	.018	6	94	62
HTS A11	R200-0404-01T-XXX-R27-L14	01S	93S	.018	4	94	58
HTS B21	R200-0404-01T-XXX-R27-L14	01S	93S	.018	4	94	58
HTS B31	R200-0404-01T-XXX-R27-L14	01S	93S	.018	4	94	58
HTS C21	R200-0404-01T-XXX-R27-L14	01S	93S	.018	4	94	58
HTS C31	R200-0404-01T-XXX-R27-L14	01S	93S	.018	4	94	58
HTS E21	R200-0404-01T-XXX-R27-L14	01S	93S	.018	4	94	58
HTS E31	R200-0404-01T-XXX-R27-L14	01S	93S	.018	4	94	58

Helioworks, Inc. Sockets							
Helioworks, Inc. Sockets Part Number	Andon Part Number Replace "XXX" w ith Terminal Type	Terminal Type		Pin Ø [in]	Pin Qty.	Page Number	Figure Number
		Thru-Hole	Surface Mount				
TO-5	R200-0402-02T-XXX-R27-L14	01S	93S	.018	2	92	49
TO-8	R435-0402-01T-XXX-R27-L14	01S	93S	.018	2	111	145

High Power Devices, Inc. Intense Ltd. Sockets							
High Power Devices, Inc. Intense Ltd. Sockets Part Number	Andon Part Number Replace "XXX" w ith Terminal Type	Terminal Type		Pin Ø [in]	Pin Qty.	Page Number	Figure Number
		Thru-Hole	Surface Mount				
PA-0084	R200-SP02-03-XXX-R27-L14	75S	265S	.018	2	96	72
PO-0004	F500-SP09-01-XXX-R27-L14	433E	285E	.040	9	125	208
PO-0005	R100-0403-01T-XXX-R27-L14	75S	265S	.018	3	87	18
PO-0009	R080-0403-01N-XXX-R27-L14	274K	281K	.018	3	86	9

IFW GmbH Sockets							
IFW GmbH Sockets Part Number	Andon Part Number Replace "XXX" w ith Terminal Type	Terminal Type		Pin Ø [in]	Pin Qty.	Page Number	Figure Number
		Thru-Hole	Surface Mount				
EPD-365-0/2,5	R200-0402-02T-XXX-R27-L14	01S	93S	.018	2	92	49
JEC 0,1	R200-0402-02T-XXX-R27-L14	01S	93S	.018	2	92	49

IFW GmbH Sockets <i>Continued</i>							
IFW GmbH Sockets Part Number	Andon Part Number Replace "XXX" w ith Terminal Type	Terminal Type		Pin Ø [in]	Pin Qty.	Page Number	Figure Number
		Thru-Hole	Surface Mount				
JEC 0,1I	R200-0403-02T-XXX-R27-L14	01S	93S	.018	3	93	54
JEC 0,1 IS	R100-0403-01N-XXX-R27-L14	75S	265S	.018	3	87	19
JEC 0,1 ISS2	R100-0403-01N-XXX-R27-L14	75S	265S	.018	3	87	19
JEC 0,1 ISZ	R100-0403-01N-XXX-R27-L14	75S	265S	.018	3	87	19
JEC 0,1-4L	R200-0402-02T-XXX-R27-L14	01S	93S	.018	2	92	49
JEC 0,1S	R100-0402-06T-XXX-R27-L14	75S	265S	.018	2	87	17
JEC 0,1HT	R200-0402-02T-XXX-R27-L14	01S	93S	.018	2	92	49
JEC 0,1SHT	R100-0402-06T-XXX-R27-L14	75S	265S	.018	2	87	17
JEC 0,1SS	R100-0402-06T-XXX-R27-L14	75S	265S	.018	2	87	17
JEC 0,1SSHT	R100-0402-06T-XXX-R27-L14	75S	265S	.018	2	87	17
JEC 0,3	R200-0402-02T-XXX-R27-L14	01S	93S	.018	2	92	49
JEC 0,3-4L	R200-0402-02T-XXX-R27-L14	01S	93S	.018	2	92	49
JEC 0,3-4SHT	R100-0402-06T-XXX-R27-L14	75S	265S	.018	2	87	17
JEC 0,3-4SSHT	R100-0402-06T-XXX-R27-L14	75S	265S	.018	2	87	17
JEC 0,3HT	R200-0402-02T-XXX-R27-L14	01S	93S	.018	2	92	49
JEC 0,3I	R200-0403-02T-XXX-R27-L14	01S	93S	.018	3	93	54
JEC 0,3 E	R200-0402-02T-XXX-R27-L14	01S	93S	.018	2	92	49
JEC 0,3 IS	R100-0403-01N-XXX-R27-L14	75S	265S	.018	3	87	19
JEC 0,3 ISZ	R100-0403-01N-XXX-R27-L14	75S	265S	.018	3	87	19
JEC 0,3S	R100-0402-06T-XXX-R27-L14	75S	265S	.018	2	87	17
JEC 0,3SHT	R100-0402-06T-XXX-R27-L14	75S	265S	.018	2	87	17
JEC 0,3SS	R100-0402-06T-XXX-R27-L14	75S	265S	.018	2	87	17
JEC 1	R200-0402-02T-XXX-R27-L14	01S	93S	.018	2	92	49
JEC 1/0,1 I-DE	R200-0404-01T-XXX-R27-L14	01S	93S	.018	4	94	58
JEC 1 I-DE	R200-0403-02T-XXX-R27-L14	01S	93S	.018	3	93	54
JEC 1 IS	R100-0403-01N-XXX-R27-L14	75S	265S	.018	3	87	19
JEC 1 ISZ	R100-0403-01N-XXX-R27-L14	75S	265S	.018	3	87	19
JEC 1HT	R200-0402-02T-XXX-R27-L14	01S	93S	.018	2	92	49
JEC 1h	R200-0402-02T-XXX-R27-L14	01S	93S	.018	2	92	49
JEC 1I	R200-0403-02T-XXX-R27-L14	01S	93S	.018	3	93	54
JEC 1S	R100-0402-06T-XXX-R27-L14	75S	265S	.018	2	87	17
JEC 1SHT	R100-0402-06T-XXX-R27-L14	75S	265S	.018	2	87	17
JEC 1SS	R100-0402-06T-XXX-R27-L14	75S	265S	.018	2	87	17
JEC 1SSHT	R100-0402-06T-XXX-R27-L14	75S	265S	.018	2	87	17
JEC 4	R200-0402-02T-XXX-R27-L14	01S	93S	.018	2	92	49
JEC 4HT	R200-0402-02T-XXX-R27-L14	01S	93S	.018	2	92	49
JEC1,6	R200-0402-02T-XXX-R27-L14	01S	93S	.018	2	92	49
JEC1,6I	R200-0403-02T-XXX-R27-L14	01S	93S	.018	3	93	54
JEC5	R200-0402-02T-XXX-R27-L14	01S	93S	.018	2	92	49
JEC5I	R200-0403-02T-XXX-R27-L14	01S	93S	.018	3	93	54
JI 100 EI 8UV-T1H	F700-SP16-01-XXX-R27-L14	295V	439V	.030	16	125	212
JI 447L	R200-0404-01T-XXX-R27-L14	01S	93S	.018	4	94	58
JI 448L	R200-0404-01T-XXX-R27-L14	01S	93S	.018	4	94	58
JI 546	R200-0404-01T-XXX-R27-L14	01S	93S	.018	4	94	58
JI 547	R200-0404-01T-XXX-R27-L14	01S	93S	.018	4	94	58
JI 548	R200-0404-01T-XXX-R27-L14	01S	93S	.018	4	94	58
JI 576	R200-0404-01T-XXX-R27-L14	01S	93S	.018	4	94	58
JI 577	R200-0404-01T-XXX-R27-L14	01S	93S	.018	4	94	58
JI 578	R200-0404-01T-XXX-R27-L14	01S	93S	.018	4	94	58
JIC 117	R200-0404-01T-XXX-R27-L14	01S	93S	.018	4	94	58
JIC 118	R200-0404-01T-XXX-R27-L14	01S	93S	.018	4	94	58
JIC 119	R200-0404-01T-XXX-R27-L14	01S	93S	.018	4	94	58
JIC 119-22	R200-0404-01T-XXX-R27-L14	01S	93S	.018	4	94	58
JIC 119-22L	R200-0404-01T-XXX-R27-L14	01S	93S	.018	4	94	58
JIC 127 B	R200-0404-01T-XXX-R27-L14	01S	93S	.018	4	94	58

IFW GmbH Sockets <i>Continued</i>							
IFW GmbH Sockets Part Number	Andon Part Number Replace "XXX" w ith Terminal Type	Terminal Type		Pin Ø [in]	Pin Qty.	Page Number	Figure Number
		Thru-Hole	Surface Mount				
JIC 127 BC	R200-0404-01T-XXX-R27-L14	01S	93S	.018	4	94	58
JIC 127 C	R200-0404-01T-XXX-R27-L14	01S	93S	.018	4	94	58
JIC 128 B	R200-0404-01T-XXX-R27-L14	01S	93S	.018	4	94	58
JIC 128 BC	R200-0404-01T-XXX-R27-L14	01S	93S	.018	4	94	58
JIC 128 C	R200-0404-01T-XXX-R27-L14	01S	93S	.018	4	94	58
JIC 129 B	R200-0404-01T-XXX-R27-L14	01S	93S	.018	4	94	58
JIC 129 BC	R200-0404-01T-XXX-R27-L14	01S	93S	.018	4	94	58
JIC 129 C	R200-0404-01T-XXX-R27-L14	01S	93S	.018	4	94	58
JIC 129 L	R200-0404-01T-XXX-R27-L14	01S	93S	.018	4	94	58
JIC 137	R200-0404-01T-XXX-R27-L14	01S	93S	.018	4	94	58
JIC 137 A	R200-0404-01T-XXX-R27-L14	01S	93S	.018	4	94	58
JIC 138	R200-0404-01T-XXX-R27-L14	01S	93S	.018	4	94	58
JIC 138 A	R200-0404-01T-XXX-R27-L14	01S	93S	.018	4	94	58
JIC 139	R200-0404-01T-XXX-R27-L14	01S	93S	.018	4	94	58
JIC 139 A	R200-0404-01T-XXX-R27-L14	01S	93S	.018	4	94	58
JIC 147 B	R200-0404-01T-XXX-R27-L14	01S	93S	.018	4	94	58
JIC 147 BC	R200-0404-01T-XXX-R27-L14	01S	93S	.018	4	94	58
JIC 147 C	R200-0404-01T-XXX-R27-L14	01S	93S	.018	4	94	58
JIC 148 B	R200-0404-01T-XXX-R27-L14	01S	93S	.018	4	94	58
JIC 148 BC	R200-0404-01T-XXX-R27-L14	01S	93S	.018	4	94	58
JIC 148 C	R200-0404-01T-XXX-R27-L14	01S	93S	.018	4	94	58
JIC 149	R200-0404-01T-XXX-R27-L14	01S	93S	.018	4	94	58
JIC 149 B	R200-0404-01T-XXX-R27-L14	01S	93S	.018	4	94	58
JIC 149 BC	R200-0404-01T-XXX-R27-L14	01S	93S	.018	4	94	58
JIC 149 C	R200-0404-01T-XXX-R27-L14	01S	93S	.018	4	94	58
JIC 149 L	R200-0404-01T-XXX-R27-L14	01S	93S	.018	4	94	58
JIC 149 L-1	R200-0404-01T-XXX-R27-L14	01S	93S	.018	4	94	58
JIC 157	R200-0404-01T-XXX-R27-L14	01S	93S	.018	4	94	58
JIC 158	R200-0404-01T-XXX-R27-L14	01S	93S	.018	4	94	58
JIC 159	R200-0404-01T-XXX-R27-L14	01S	93S	.018	4	94	58
JIC 167 B	R200-0404-01T-XXX-R27-L14	01S	93S	.018	4	94	58
JIC 167 BC	R200-0404-01T-XXX-R27-L14	01S	93S	.018	4	94	58
JIC 168 B	R200-0404-01T-XXX-R27-L14	01S	93S	.018	4	94	58
JIC 168 BC	R200-0404-01T-XXX-R27-L14	01S	93S	.018	4	94	58
JIC 169 B	R200-0404-01T-XXX-R27-L14	01S	93S	.018	4	94	58
JIC 169 BC	R200-0404-01T-XXX-R27-L14	01S	93S	.018	4	94	58
JIC 317	R200-0404-01T-XXX-R27-L14	01S	93S	.018	4	94	58
JIC 317 A	R200-0404-01T-XXX-R27-L14	01S	93S	.018	4	94	58
JIC 318	R200-0404-01T-XXX-R27-L14	01S	93S	.018	4	94	58
JIC 318 A	R200-0404-01T-XXX-R27-L14	01S	93S	.018	4	94	58
JIC 319	R200-0404-01T-XXX-R27-L14	01S	93S	.018	4	94	58
JIC 319 A	R200-0404-01T-XXX-R27-L14	01S	93S	.018	4	94	58
JIC 327 B	R200-0404-01T-XXX-R27-L14	01S	93S	.018	4	94	58
JIC 327 BC	R200-0404-01T-XXX-R27-L14	01S	93S	.018	4	94	58
JIC 327 C	R200-0404-01T-XXX-R27-L14	01S	93S	.018	4	94	58
JIC 328 B	R200-0404-01T-XXX-R27-L14	01S	93S	.018	4	94	58
JIC 328 BC	R200-0404-01T-XXX-R27-L14	01S	93S	.018	4	94	58
JIC 329 C	R200-0404-01T-XXX-R27-L14	01S	93S	.018	4	94	58
JIC 329 B	R200-0404-01T-XXX-R27-L14	01S	93S	.018	4	94	58
JIC 329 BC	R200-0404-01T-XXX-R27-L14	01S	93S	.018	4	94	58
JIC 329 C	R200-0404-01T-XXX-R27-L14	01S	93S	.018	4	94	58
JIC 337	R200-0404-01T-XXX-R27-L14	01S	93S	.018	4	94	58
JIC 337 A	R200-0404-01T-XXX-R27-L14	01S	93S	.018	4	94	58
JIC 338	R200-0404-01T-XXX-R27-L14	01S	93S	.018	4	94	58
JIC 338 A	R200-0404-01T-XXX-R27-L14	01S	93S	.018	4	94	58

IFW GmbH Sockets <i>Continued</i>							
IFW GmbH Sockets Part Number	Andon Part Number Replace "XXX" w ith Terminal Type	Terminal Type		Pin Ø [in]	Pin Qty.	Page Number	Figure Number
		Thru-Hole	Surface Mount				
JIC 339	R200-0404-01T-XXX-R27-L14	01S	93S	.018	4	94	58
JIC 339 A	R200-0404-01T-XXX-R27-L14	01S	93S	.018	4	94	58
JIC 347 B	R200-0404-01T-XXX-R27-L14	01S	93S	.018	4	94	58
JIC 347 BC	R200-0404-01T-XXX-R27-L14	01S	93S	.018	4	94	58
JIC 347 C	R200-0404-01T-XXX-R27-L14	01S	93S	.018	4	94	58
JIC 348 B	R200-0404-01T-XXX-R27-L14	01S	93S	.018	4	94	58
JIC 348 BC	R200-0404-01T-XXX-R27-L14	01S	93S	.018	4	94	58
JIC 348 C	R200-0404-01T-XXX-R27-L14	01S	93S	.018	4	94	58
JIC 349 B	R200-0404-01T-XXX-R27-L14	01S	93S	.018	4	94	58
JIC 349 BC	R200-0404-01T-XXX-R27-L14	01S	93S	.018	4	94	58
JIC 349 C	R200-0404-01T-XXX-R27-L14	01S	93S	.018	4	94	58
JIC 357	R200-0404-01T-XXX-R27-L14	01S	93S	.018	4	94	58
JIC 357 A	R200-0404-01T-XXX-R27-L14	01S	93S	.018	4	94	58
JIC 358	R200-0404-01T-XXX-R27-L14	01S	93S	.018	4	94	58
JIC 358 A	R200-0404-01T-XXX-R27-L14	01S	93S	.018	4	94	58
JIC 359	R200-0404-01T-XXX-R27-L14	01S	93S	.018	4	94	58
JIC 359 A	R200-0404-01T-XXX-R27-L14	01S	93S	.018	4	94	58
JIC 367 B	R200-0404-01T-XXX-R27-L14	01S	93S	.018	4	94	58
JIC 367 BC	R200-0404-01T-XXX-R27-L14	01S	93S	.018	4	94	58
JIC 368 B	R200-0404-01T-XXX-R27-L14	01S	93S	.018	4	94	58
JIC 368 BC	R200-0404-01T-XXX-R27-L14	01S	93S	.018	4	94	58
JIC 369 B	R200-0404-01T-XXX-R27-L14	01S	93S	.018	4	94	58
JIC 369 BC	R200-0404-01T-XXX-R27-L14	01S	93S	.018	4	94	58
JQ 20P	R400-SP06-01T-XXX-R27-L14	01S	93S	.018	6	110	139
JQ 50P	R400-SP06-01T-XXX-R27-L14	01S	93S	.018	6	110	139
JQ 5P	R200-0404-01T-XXX-R27-L14	01S	93S	.018	4	94	58
JQ C4	R200-0404-01T-XXX-R27-L14	01S	93S	.018	4	94	58
JQC5R	R200-0404-01T-XXX-R27-L14	01S	93S	.018	4	94	58

Infratec GmbH Sockets							
Infratec GmbH Sockets Part Number	Andon Part Number Replace "XXX" w ith Terminal Type	Terminal Type		Pin Ø [in]	Pin Qty.	Page Number	Figure Number
		Thru-Hole	Surface Mount				
LFP 3041L-337	R400-SP12-02T-XXX-R27-L14	01S	93S	.018	12	111	143
LFP 3950L-337	R400-SP12-02T-XXX-R27-L14	01S	93S	.018	12	111	143
LIE 200	R100-0404-01T-XXX-R27-L14	75S	265S	.018	4	88	23
LIE 201	R100-0404-01T-XXX-R27-L14	75S	265S	.018	4	88	23
LIE 202	R100-0404-01T-XXX-R27-L14	75S	265S	.018	4	88	23
LIE 215	R100-0404-01T-XXX-R27-L14	75S	265S	.018	4	88	23
LIE 216	R100-0404-01T-XXX-R27-L14	75S	265S	.018	4	88	23
LIE 235	R200-0404-01T-XXX-R27-L14	01S	93S	.018	4	94	58
LIE 241	R200-0404-01T-XXX-R27-L14	01S	93S	.018	4	94	58
LIE 245	R200-0404-01T-XXX-R27-L14	01S	93S	.018	4	94	58
LIE 251	R200-0404-01T-XXX-R27-L14	01S	93S	.018	4	94	58
LIE 255	R200-0404-01T-XXX-R27-L14	01S	93S	.018	4	94	58
LIE 301	R200-0403-02T-XXX-R27-L14	01S	93S	.018	3	93	54
LIE 302	R200-0403-02T-XXX-R27-L14	01S	93S	.018	3	93	54
LIE 306	R200-0403-02T-XXX-R27-L14	01S	93S	.018	3	93	54
LIE 309	R400-SP12-02T-XXX-R27-L14	01S	93S	.018	12	111	143
LIE 311	R200-0403-02T-XXX-R27-L14	01S	93S	.018	3	93	54
LIE 311f	R200-0403-02T-XXX-R27-L14	01S	93S	.018	3	93	54
LIE 312	R200-0403-02T-XXX-R27-L14	01S	93S	.018	3	93	54
LIE 312f	R200-0403-02T-XXX-R27-L14	01S	93S	.018	3	93	54
LIE 315	R200-0403-02T-XXX-R27-L14	01S	93S	.018	3	93	54
LIE 316	R200-0403-02T-XXX-R27-L14	01S	93S	.018	3	93	54
LIE 329	R400-SP12-02T-XXX-R27-L14	01S	93S	.018	12	111	143

Infratec GmbH Sockets <i>Continued</i>							
Infratec GmbH Sockets Part Number	Andon Part Number Replace "XXX" w ith Terminal Type	Terminal Type		Pin Ø [in]	Pin Qty.	Page Number	Figure Number
		Thru-Hole	Surface Mount				
LIE 331	R200-0403-02T-XXX-R27-L14	01S	93S	.018	3	93	54
LIE 331f	R200-0403-02T-XXX-R27-L14	01S	93S	.018	3	93	54
LIE 332	R200-0403-02T-XXX-R27-L14	01S	93S	.018	3	93	54
LIE 332f	R200-0403-02T-XXX-R27-L14	01S	93S	.018	3	93	54
LIE 341	R200-0404-01T-XXX-R27-L14	01S	93S	.018	4	94	58
LIE 345	R200-0404-01T-XXX-R27-L14	01S	93S	.018	4	94	58
LIE 351	R200-0404-01T-XXX-R27-L14	01S	93S	.018	4	94	58
LIE 355	R200-0404-01T-XXX-R27-L14	01S	93S	.018	4	94	58
LIE 382	R200-0404-02T-XXX-R27-L14	01S	93S	.018	4	94	59
LIE 500	R200-0404-01T-XXX-R27-L14	01S	93S	.018	4	94	58
LIE 501	R200-0404-01T-XXX-R27-L14	01S	93S	.018	4	94	58
LIE 502	R200-0404-01T-XXX-R27-L14	01S	93S	.018	4	94	58
LIM 011	R400-SP12-02T-XXX-R27-L14	01S	93S	.018	12	111	143
LIM 012	R400-SP12-02T-XXX-R27-L14	01S	93S	.018	12	111	143
LIM 032	R200-0404-01T-XXX-R27-L14	01S	93S	.018	4	94	58
LIM 052	R450-SP08-01T-XXX-R27-L14	75S	265S	.018	8	112	150
LIM 054	R450-SP08-01T-XXX-R27-L14	75S	265S	.018	8	112	150
LIM 112	R400-SP12-02T-XXX-R27-L14	01S	93S	.018	12	111	143
LIM 114	R400-SP12-02T-XXX-R27-L14	01S	93S	.018	12	111	143
LIM 122	R200-0404-01T-XXX-R27-L14	01S	93S	.018	4	94	58
LIM 142	R400-SP12-02T-XXX-R27-L14	01S	93S	.018	12	111	143
LIM 152	R400-SP12-02T-XXX-R27-L14	01S	93S	.018	12	111	143
LIM 162	R200-0404-01T-XXX-R27-L14	01S	93S	.018	4	94	58
LIM 212	R400-SP12-02T-XXX-R27-L14	01S	93S	.018	12	111	143
LIM 214	R400-SP12-02T-XXX-R27-L14	01S	93S	.018	12	111	143
LIM 222	R200-0404-01T-XXX-R27-L14	01S	93S	.018	4	94	58
LIM 242	R400-SP12-02T-XXX-R27-L14	01S	93S	.018	12	111	143
LIM 252	R400-SP12-02T-XXX-R27-L14	01S	93S	.018	12	111	143
LIM 253	R200-0805-02T-XXX-R27-L14	75S	265S	.018	5	94	61
LIM 262	R200-0404-01T-XXX-R27-L14	01S	93S	.018	4	94	58
LIM 312	R400-SP12-02T-XXX-R27-L14	01S	93S	.018	12	111	143
LIM 314	R400-SP12-02T-XXX-R27-L14	01S	93S	.018	12	111	143
LME 300	R200-0404-01T-XXX-R27-L14	01S	93S	.018	4	94	58
LME 301	R200-0404-01T-XXX-R27-L14	01S	93S	.018	4	94	58
LME 302	R200-0404-01T-XXX-R27-L14	01S	93S	.018	4	94	58
LME 304	R200-0403-02T-XXX-R27-L14	01S	93S	.018	3	93	54
LME 316	R200-0403-02T-XXX-R27-L14	01S	93S	.018	3	93	54
LME 335	R200-0404-01T-XXX-R27-L14	01S	93S	.018	4	94	58
LME 337	R200-0404-02T-XXX-R27-L14	01S	93S	.018	4	94	59
LME 341	R200-0404-01T-XXX-R27-L14	01S	93S	.018	4	94	58
LME 345	R200-0404-01T-XXX-R27-L14	01S	93S	.018	4	94	58
LME 351	R200-0404-01T-XXX-R27-L14	01S	93S	.018	4	94	58
LME 353	R200-0404-02T-XXX-R27-L14	01S	93S	.018	4	94	59
LME 392	R200-0404-02T-XXX-R27-L14	01S	93S	.018	4	94	59
LME 500	R200-0404-01T-XXX-R27-L14	01S	93S	.018	4	94	58
LME 501	R200-0403-02T-XXX-R27-L14	01S	93S	.018	3	93	54
LME 502	R200-0403-02T-XXX-R27-L14	01S	93S	.018	3	93	54
LME 541	R200-0404-01T-XXX-R27-L14	01S	93S	.018	4	94	58
LME 551	R200-0404-01T-XXX-R27-L14	01S	93S	.018	4	94	58
LME 553	R200-0404-02T-XXX-R27-L14	01S	93S	.018	4	94	59
LMM 242	R450-SP08-01T-XXX-R27-L14	75S	265S	.018	8	112	150
LMM 244	R450-SP08-01T-XXX-R27-L14	75S	265S	.018	8	112	150

Ion Optics, Inc. ICX Precision Photonics Sockets							
Ion Optics, Inc. ICX Precision Photonics Sockets Part Number	Andon Part Number Replace "XXX" w ith Terminal Type	Terminal Type		Pin Ø [in]	Pin Qty.	Page Number	Figure Number
		Thru-Hole	Surface Mount				
LN5NCC	R200-0802-04T-XXX-R27-L14	01S	93S	.018	2	92	52
NL46LNX	R100-0402-01T-XXX-R27-L14	75S	265S	.018	2	86	12
NL5LNC	R200-0802-04T-XXX-R27-L14	01S	93S	.018	2	92	52
NL5NGC	R200-0802-04T-XXX-R27-L14	01S	93S	.018	2	92	52
NL8ACC	R280-0802-01T-XXX-R27-L14	75S	265S	.018	2	101	96
NL8LNC	R280-0802-01T-XXX-R27-L14	75S	265S	.018	2	101	96
NM5NSC	R200-0802-04T-XXX-R27-L14	01S	93S	.018	2	92	52
NM8ASC	R280-0802-01T-XXX-R27-L14	75S	265S	.018	2	101	96
REFLECTIR-P1C	R100-0402-01T-XXX-R27-L14	75S	265S	.018	2	86	12
REFLECTIR-P1N	R100-0402-01T-XXX-R27-L14	75S	265S	.018	2	86	12
REFLECTIR-P1S	R100-0402-01T-XXX-R27-L14	75S	265S	.018	2	86	12
INTEX Sockets							
Intex Sockets Part Number	Andon Part Number Replace "XXX" w ith Terminal Type	Terminal Type		Pin Ø [in]	Pin Qty.	Page Number	Figure Number
		Thru-Hole	Surface Mount				
INTX 08-0300	R098-0403-01N-XXX-R27-L14	211S	384S	.018	3	86	11
INTX 17-0900	R200-0403-01T-XXX-R27-L14	01S	93S	.018	3	93	53
INTX 22-1000	R200-0403-01T-XXX-R27-L14	01S	93S	.018	3	93	53
Laser Components USA, Inc. Sockets							
Laser Components IG, Inc. Sockets Part Number	Andon Part Number Replace "XXX" w ith Terminal Type	Terminal Type		Pin Ø [in]	Pin Qty.	Page Number	Figure Number
		Thru-Hole	Surface Mount				
G TYPE	R080-0403-01N-XXX-R27-L14	274K	281K	.018	3	86	9
H TYPE	R080-0403-01N-XXX-R27-L14	274K	281K	.018	3	86	9
LC-LMD-650-01	R050-0403-01N-XXX-R27-L14	437T	329T	.010	3	85	2
N TYPE	R100-0403-01N-XXX-R27-L14	75S	265S	.018	3	87	19
PACKAGE E1 TO-8	R400-0802-01T-XXX-R27-L14	01S	93S	.018	2	108	132
PACKAGE F2 TO-46	R100-0402-06T-XXX-R27-L14	274K	281K	.018	2	87	16
PACKAGE F3 TO-46	R100-0403-01N-XXX-R27-L14	75S	265S	.018	3	87	19
PACKAGE G1 TO-5	R200-0403-03T-XXX-R27-L14	01S	93S	.018	3	93	56
PACKAGE L3 10-46	R100-SP03-02T-XXX-R27-L14	274K	281K	.018	3	89	32
PACKAGE LP20/40 TO-46	R100-SP02-02T-XXX-R27-L14	274K	281K	.018	2	89	30
PACKAGE R, 9mm CD	R100-0403-01N-XXX-R27-L14	75S	265S	.018	3	87	19
PACKAGE S TO-18	R200-0402-02T-XXX-R27-L14	01S	93S	.018	2	92	49
PACKAGE S2 TO-46 (2 PIN)	R100-SP02-02T-XXX-R27-L14	274K	281K	.018	2	89	30
PACKAGE S3 TO-46 (3 PIN)	R100-SP03-02T-XXX-R27-L14	274K	281K	.018	3	89	32
PACKAGE S5 TO-46 (2 PIN)	R100-SP02-01-XXX-R27-L14	274K	281K	.018	2	89	29
PACKAGE S6 TO-46 (3 PIN)	R100-0403-01N-XXX-R27-L14	75S	265S	.018	3	87	19
PACKAGE T6 TO-37	F200-1006-01-XXX-R27-L14	274K	281K	.018	6	123	196
PACKAGE T8 TO-8	R440-SP06-01T-XXX-R27-L14	274K	281K	.018	6	111	147
PACKAGE U	R080-0403-01N-XXX-R27-L14	274K	281K	.018	3	86	9
S TYPE	R050-0403-01N-XXX-R27-L14	437T	329T	.010	3	85	2
T TYPE	R080-0403-01N-XXX-R27-L14	274K	281K	.018	3	86	9
TO-5	R200-0404-01T-XXX-R27-L14	01S	93S	.018	4	94	58
TO-39	R200-0403-03T-XXX-R27-L14	01S	93S	.018	3	93	56
Laser Diode, Inc. Sockets							
Laser Diode, Inc. Sockets Part Number	Andon Part Number Replace "XXX" w ith Terminal Type	Terminal Type		Pin Ø [in]	Pin Qty.	Page Number	Figure Number
		Thru-Hole	Surface Mount				
CVD XXX-90	R100-0403-04N-XXX-R27-L14	75S	265S	.018	3	87	20
CVD XXX-TO-5T	R200-SP02-03-XXX-R27-L14	75S	265S	.018	2	96	72
CVD XXX-TO-18T	R100-0402-06T-XXX-R27-L14	75S	265S	.018	2	87	17
CVL 57-9mm	R100-0403-04N-XXX-R27-L14	75S	265S	.018	3	87	20
CVL 57-TO18T	R100-0402-06T-XXX-R27-L14	75S	265S	.018	2	87	17

Laser Diode, Inc. Sockets <i>Continued</i>							
Laser Diode, Inc. Sockets Part Number	Andon Part Number Replace "XXX" w ith Terminal Type	Terminal Type		Pin Ø [in]	Pin Qty.	Page Number	Figure Number
		Thru-Hole	Surface Mount				
CVL 2S57-9mm	R100-0403-04N-XXX-R27-L14	75S	265S	.018	3	87	20
CVL 2S57-TO18T	R100-0402-06T-XXX-R27-L14	75S	265S	.018	2	87	17
CVL 3S57-9mm	R100-0403-04N-XXX-R27-L14	75S	265S	.018	3	87	20
CVL 3S57-TO18T	R100-0402-06T-XXX-R27-L14	75S	265S	.018	2	87	17
CVL 4S57-9mm	R100-0403-04N-XXX-R27-L14	75S	265S	.018	3	87	20
CVL 4S57-TO18T	R100-0402-06T-XXX-R27-L14	75S	265S	.018	2	87	17
CW 0500-90-XX	R100-0403-04N-XXX-R27-L14	75S	265S	.018	3	87	20
CW 0500-T3-XX	F500-SP09-01-XXX-R27-L14	433E	285E	.040	9	125	208
CW 1000-90-XX	R100-0403-04N-XXX-R27-L14	75S	265S	.018	3	87	20
CW 1000-T3-XX	F500-SP09-01-XXX-R27-L14	433E	285E	.040	9	125	208
CW 2000-90-XX	R100-0403-04N-XXX-R27-L14	75S	265S	.018	3	87	20
CW 2000-T3-XX	F500-SP09-01-XXX-R27-L14	433E	285E	.040	9	125	208
CW 5000-90-XX	R100-0403-04N-XXX-R27-L14	75S	265S	.018	3	87	20
CW 5000-T3-XX	F500-SP09-01-XXX-R27-L14	433E	285E	.040	9	125	208
CWR 635-90	R100-0403-04N-XXX-R27-L14	75S	265S	.018	3	87	20
LDFC SERIES	R100-0404-02T-XXX-R27-L14	75S	265S	.018	4	88	26
LDST SERIES	R100-0404-02T-XXX-R27-L14	75S	265S	.018	4	88	26
LKR-2S-35-9mm	R100-0403-04N-XXX-R27-L14	75S	265S	.018	3	87	20
LKR-2S-35-TO-5T	R200-SP02-03-XXX-R27-L14	75S	265S	.018	2	96	72
LKR-2S-35-TO-18T	R100-0402-06T-XXX-R27-L14	75S	265S	.018	2	87	17
LKR-3S-35-9mm	R100-0403-04N-XXX-R27-L14	75S	265S	.018	3	87	20
LKR-3S-35-TO-5T	R200-SP02-03-XXX-R27-L14	75S	265S	.018	2	96	72
LKR-3S-35-TO-18T	R100-0402-06T-XXX-R27-L14	75S	265S	.018	2	87	17
LKR-35L-9mm	R100-0403-04N-XXX-R27-L14	75S	265S	.018	3	87	20
LKR-35L-TO-5T	R200-SP02-03-XXX-R27-L14	75S	265S	.018	2	96	72
LKR-35L-TO-18T	R100-0402-06T-XXX-R27-L14	75S	265S	.018	2	87	17
LPA SERIES	R100-0404-02T-XXX-R27-L14	75S	265S	.018	4	88	26
LPD 3080-PM1	R100-SP03-02T-XXX-R27-L4	274K	281K	.018	3	89	32
LPD 3080-PM2	R100-SP03-02T-XXX-R27-L4	274K	281K	.018	3	89	32
LPD 3080-PM3	R100-SP03-02T-XXX-R27-L4	274K	281K	.018	3	89	32
LPD 3080-PM4	R100-SP03-02T-XXX-R27-L4	274K	281K	.018	3	89	32
LR35-9mm	R100-0403-04N-XXX-R27-L14	75S	265S	.018	3	87	20
LR35-TO-5T	R200-SP02-03-XXX-R27-L14	75S	265S	.018	2	96	72
LR35-TO-18T	R100-0402-06T-XXX-R27-L14	75S	265S	.018	2	87	17
SCW 1336X-120XXR	R080-0403-01N-XXX-R27-L14	274K	281K	.018	3	86	9
SCW 1336X-120XXR	R080-0403-01N-XXX-R27-L14	274K	281K	.018	3	86	9
SCW 1536X-120XXR	R080-0403-01N-XXX-R27-L14	274K	281K	.018	3	86	9
SCW 1636X-100XXR	R080-0403-01N-XXX-R27-L14	274K	281K	.018	3	86	9

LDX Optronics, Inc. Sockets							
LDX Optronics, Inc. Sockets Part Number	Andon Part Number Replace "XXX" w ith Terminal Type	Terminal Type		Pin Ø [in]	Pin Qty.	Page Number	Figure Number
		Thru-Hole	Surface Mount				
LDX-2106-622	F500-SP09-01-XXX-R27-L14	433E	285E	.040	9	125	208
LDX-2106-627	F500-SP09-01-XXX-R27-L14	433E	285E	.040	9	125	208
LDX-2106-632	F500-SP09-01-XXX-R27-L14	433E	285E	.040	9	125	208
LDX-2106-640	R110-0403-01N-XXX-R27-L14	75S	265S	.018	3	89	34
LDX-2102-655	R110-0403-01N-XXX-R27-L14	75S	265S	.018	3	89	34

Linear Integrated System Sockets							
Linear Integrated System Sockets Part Number	Andon Part Number Replace "XXX" w ith Terminal Type	Terminal Type		Pin Ø [in]	Pin Qty.	Page Number	Figure Number
		Thru-Hole	Surface Mount				
2N/PN/ST/4391	R100-0403-01T-XXX-R27-L14	75S	265S	.018	3	87	18
2N/SST4416A-72	R100-0404-01T-XXX-R27-L14	75S	265S	.018	4	88	23
2N/SST441-TO-72	R100-0404-01T-XXX-R27-L14	75S	265S	.018	4	88	23

Linear Integrated System Sockets <i>Continued</i>							
Linear Integrated System Sockets Part Number	Andon Part Number Replace "XXX" w ith Terminal Type	Terminal Type		Pin Ø [in]	Pin Qty.	Page Number	Figure Number
		Thru-Hole	Surface Mount				
2N17TO-72	R100-0404-01T-XXX-R27-L14	75S	265S	.018	4	88	23
2N4351-TO-72	R100-0404-01T-XXX-R27-L14	75S	265S	.018	4	88	23
2N4352-TO-72	R100-0404-01T-XXX-R27-L14	75S	265S	.018	4	88	23
2N4416A-TO-72	R100-0404-01T-XXX-R27-L14	75S	265S	.018	4	88	23
2N5018-TO-18	R100-0403-01T-XXX-R27-L14	75S	265S	.018	3	87	18
2N5114-TO-18	R100-0403-01T-XXX-R27-L14	75S	265S	.018	3	87	18
3N163-TO-72	R100-0404-01T-XXX-R27-L14	75S	265S	.018	4	88	23
3N164-TO-72	R100-0404-01T-XXX-R27-L14	75S	265S	.018	4	88	23
3N165-TO-99	R200-0806-03T-XXX-R27-L14	75S	265S	.018	6	95	64
3N166-TO-99	R200-0806-03T-XXX-R27-L14	75S	265S	.018	6	95	64
3N170-TO-72	R100-0404-01T-XXX-R27-L14	75S	265S	.018	4	88	23
3N171-TO-72	R100-0404-01T-XXX-R27-L14	75S	265S	.018	4	88	23
3N190-TO-78	R200-0807-01T-XXX-R27-L14	75S	265S	.018	7	95	66
3N191-TO-78	R200-0807-01T-XXX-R27-L14	75S	265S	.018	7	95	66
ID100-TO-71	R100-0806-01T-XXX-G10-L14	C2	N/A	.018	6	88	28
ID100-TO-78	R200-0806-04T-XXX-R27-L14	75S	265S	.018	6	95	65
ID101-TO-71	R100-0806-01T-XXX-G10-L14	C2	N/A	.018	6	88	28
ID101-TO-78	R200-0806-04T-XXX-R27-L14	75S	265S	.018	6	95	65
IT120A-TO-71	R100-0806-01T-XXX-G10-L14	C2	N/A	.018	6	88	28
IT120A-TO-78	R200-0806-04T-XXX-R27-L14	75S	265S	.018	6	95	65
IT120-TO-71	R100-0806-01T-XXX-G10-L14	C2	N/A	.018	6	88	28
IT120-TO-78	R200-0806-04T-XXX-R27-L14	75S	265S	.018	6	95	65
IT121-TO-71	R100-0806-01T-XXX-G10-L14	C2	N/A	.018	6	88	28
IT121-TO-78	R200-0806-04T-XXX-R27-L14	75S	265S	.018	6	95	65
IT122-TO-71	R100-0806-01T-XXX-G10-L14	C2	N/A	.018	6	88	28
IT122-TO-78	R200-0806-04T-XXX-R27-L14	75S	265S	.018	6	95	65
IT124-TO-71	R100-0806-01T-XXX-G10-L14	C2	N/A	.018	6	88	28
IT124-TO-78	R200-0806-04T-XXX-R27-L14	75S	265S	.018	6	95	65
IT130A-TO-71	R100-0806-01T-XXX-G10-L14	C2	N/A	.018	6	88	28
IT130A-TO-78	R200-0806-04T-XXX-R27-L14	75S	265S	.018	6	95	65
IT130-TO-71	R100-0806-01T-XXX-G10-L14	C2	N/A	.018	6	88	28
IT130-TO-78	R200-0806-04T-XXX-R27-L14	75S	265S	.018	6	95	65
IT131-TO-71	R100-0806-01T-XXX-G10-L14	C2	N/A	.018	6	88	28
IT131-TO-78	R200-0806-04T-XXX-R27-L14	75S	265S	.018	6	95	65
IT132-TO-71	R100-0806-01T-XXX-G10-L14	C2	N/A	.018	6	88	28
IT132-TO-78	R200-0806-04T-XXX-R27-L14	75S	265S	.018	6	95	65
LS301-TO-71	R100-0806-01T-XXX-G10-L14	C2	N/A	.018	6	88	28
LS301-TO-78	R200-0806-04T-XXX-R27-L14	75S	265S	.018	6	95	65
LS302-TO-71	R100-0806-01T-XXX-G10-L14	C2	N/A	.018	6	88	28
LS302-TO-78	R200-0806-04T-XXX-R27-L14	75S	265S	.018	6	95	65
LS303-TO-71	R100-0806-01T-XXX-G10-L14	C2	N/A	.018	6	88	28
LS303-TO-78	R200-0806-04T-XXX-R27-L14	75S	265S	.018	6	95	65
LS310-TO-71	R100-0806-01T-XXX-G10-L14	C2	N/A	.018	6	88	28
LS310-TO-78	R200-0806-04T-XXX-R27-L14	75S	265S	.018	6	95	65
LS311-TO-71	R100-0806-01T-XXX-G10-L14	C2	N/A	.018	6	88	28
LS311-TO-78	R200-0806-04T-XXX-R27-L14	75S	265S	.018	6	95	65
LS312-TO-71	R100-0806-01T-XXX-G10-L14	C2	N/A	.018	6	88	28
LS312-TO-78	R200-0806-04T-XXX-R27-L14	75S	265S	.018	6	95	65
LS313-TO-71	R100-0806-01T-XXX-G10-L14	C2	N/A	.018	6	88	28
LS313-TO-78	R200-0806-04T-XXX-R27-L14	75S	265S	.018	6	95	65
LS318-TO-71	R100-0806-01T-XXX-G10-L14	C2	N/A	.018	6	88	28
LS318-TO-79	R200-0806-04T-XXX-R27-L14	75S	265S	.018	6	95	65
LS320-TO-72	R100-0404-01T-XXX-R27-L14	75S	265S	.018	4	88	23
LS3250-TO-71	R100-0806-01T-XXX-G10-L14	C2	N/A	.018	6	88	28
LS3250-TO-78	R200-0806-04T-XXX-R27-L14	75S	265S	.018	6	95	65

Linear Integrated System Sockets <i>Continued</i>							
Linear Integrated System Sockets Part Number	Andon Part Number Replace "XXX" w ith Terminal Type	Terminal Type		Pin Ø [in]	Pin Qty.	Page Number	Figure Number
		Thru-Hole	Surface Mount				
LS350-TO-71	R100-0806-01T-XXX-G10-L14	C2	N/A	.018	6	88	28
LS350-TO-78	R200-0806-04T-XXX-R27-L14	75S	265S	.018	6	95	65
LS351-TO-71	R100-0806-01T-XXX-G10-L14	C2	N/A	.018	6	88	28
LS351-TO-78	R200-0806-04T-XXX-R27-L14	75S	265S	.018	6	95	65
LS352-TO-71	R100-0806-01T-XXX-G10-L14	C2	N/A	.018	6	88	28
LS352-TO-78	R200-0806-04T-XXX-R27-L14	75S	265S	.018	6	95	65
LS3550-TO-71	R100-0806-01T-XXX-G10-L14	C2	N/A	.018	6	88	28
LS3550-TO-78	R200-0806-04T-XXX-R27-L14	75S	265S	.018	6	95	65
LS358-TO-78	R200-0806-04T-XXX-R27-L14	75S	265S	.018	6	95	65
LS358-TP-71	R100-0806-01T-XXX-G10-L14	C2	N/A	.018	6	88	28
LS4117-TO-72	R100-0404-01T-XXX-R27-L14	75S	265S	.018	4	88	23
LS4118-TO-72	R100-0404-01T-XXX-R27-L14	75S	265S	.018	4	88	23
LS4119-TO-72	R100-0404-01T-XXX-R27-L14	75S	265S	.018	4	88	23
LS5301-TO-72	R100-0404-01T-XXX-R27-L14	75S	265S	.018	4	88	23
LS627-TO-72	R100-0404-01T-XXX-R27-L14	75S	265S	.018	4	88	23
PAD-TO-72	R200-0402-02T-XXX-R27-L14	01S	93S	.018	2	92	49
PAD1-TO-72	R200-0403-03T-XXX-R27-L14	01S	93S	.018	3	93	56
PAD2-TO-72	R200-0403-03T-XXX-R27-L14	01S	93S	.018	3	93	56
PAD5-TO-72	R200-0403-03T-XXX-R27-L14	01S	93S	.018	3	93	56
PF5301-TO-72	R100-0404-01T-XXX-R27-L14	75S	265S	.018	4	88	23
SD-SST	R100-0404-01T-XXX-R27-L14	75S	265S	.018	4	88	23
SN170-TO-72	R100-0404-01T-XXX-R27-L14	75S	265S	.018	4	88	23
VCR11N-TO-71	R100-0806-01T-XXX-G10-L14	C2	N/A	.018	6	88	28

MAZeT GmbH Sockets							
MAZeT GmbH Sockets Part Number	Andon Part Number Replace "XXX" w ith Terminal Type	Terminal Type		Pin Ø [in]	Pin Qty.	Page Number	Figure Number
		Thru-Hole	Surface Mount				
LWL-DMA025 V3a 31 TO	R100-0404-02T-XXX-R27-L14	75S	265S	.018	4	88	26
LWL-DMA025 V3a 31 SMT	R100-0404-02T-XXX-R27-L14	75S	265S	.018	4	88	26
MCS3AO	R200-0404-01T-XXX-R27-L14	01S	93S	.018	4	94	58
MCS3AT	R200-0404-01T-XXX-R27-L14	01S	93S	.018	4	94	58
MCS3BT	R200-0404-01T-XXX-R27-L14	01S	93S	.018	4	94	58
MCSiAT	R200-0404-01T-XXX-R27-L14	01S	93S	.018	4	94	58
MCSiBT	R200-0404-01T-XXX-R27-L14	01S	93S	.018	4	94	58
MTCS3AT	R200-0404-01T-XXX-R27-L14	01S	93S	.018	4	94	58
MTCSiCT	R200-0404-01T-XXX-R27-L14	01S	93S	.018	4	94	58

Measurement Specialties Sockets							
Measurement Specialties Sockets Part Number	Andon Part Number Replace "XXX" w ith Terminal Type	Terminal Type		Pin Ø [in]	Pin Qty.	Page Number	Figure Number
		Thru-Hole	Surface Mount				
50	R200-0404-01T-XXX-R27-L14	01S	93S	.018	4	94	58
13 1psi	R400-SP08-02T-XXX-R27-L14	75S	265S	.018	8	110	141
23 1psi	R400-SP08-02T-XXX-R27-L14	75S	265S	.018	8	110	141
33 1psi	R400-SP08-02T-XXX-R27-L14	75S	265S	.018	8	110	141
43 1psi	R400-SP08-02T-XXX-R27-L14	75S	265S	.018	8	110	141
13 Std	R400-SP08-02T-XXX-R27-L14	75S	265S	.018	8	110	141
23 Std	R400-SP08-02T-XXX-R27-L14	75S	265S	.018	8	110	141
33 Std	R400-SP08-02T-XXX-R27-L14	75S	265S	.018	8	110	141
43 Std	R400-SP08-02T-XXX-R27-L14	75S	265S	.018	8	110	141
17 US	R400-SP08-02T-XXX-R27-L14	75S	265S	.018	8	110	141
47 US	R400-SP08-02T-XXX-R27-L14	75S	265S	.018	8	110	141
TS105-1	R200-0404-01T-XXX-R27-L14	01S	93S	.018	4	94	58
TS105-3	R200-0404-01T-XXX-R27-L14	01S	93S	.018	4	94	58
TS105-4	R200-0404-01T-XXX-R27-L14	01S	93S	.018	4	94	58

Measurement Specialties Sockets <i>Continued</i>							
Measurement Specialties Sockets Part Number	Andon Part Number Replace "XXX" w ith Terminal Type	Terminal Type		Pin Ø [in]	Pin Qty.	Page Number	Figure Number
		Thru-Hole	Surface Mount				
TS105-6	R200-0404-01T-XXX-R27-L14	01S	93S	.018	4	94	58
TS105-8	R200-1008-03T-XXX-R27-L14	274K	281K	.018	8	96	69
TS105-10	R200-0404-01T-XXX-R27-L14	01S	93S	.018	4	94	58
TCS208F	R280-0808-01T-XXX-R27-L14	01S	93S	.018	8	101	97

Milexis Microelectronic Integrated Systems Sockets							
Milexis Microelectronics Integrated Systems Part Number	Andon Part Number Replace "XXX" w ith Terminal Type	Terminal Type		Pin Ø [in]	Pin Qty.	Page Number	Figure Number
		Thru-Hole	Surface Mount				
MLX90614	R200-0404-01T-XXX-R27-L14	01S	93S	.018	4	94	58
MLX90615	R100-0404-01T-XXX-R27-L14	75S	265S	.018	4	88	23
MLX90247	R200-0404-01T-XXX-R27-L14	01S	93S	.018	4	94	58

Membrapor Sensor Sockets							
Membrapor Sensor Sockets Part Number	Andon Part Number Replace "XXX" w ith Terminal Type	Terminal Type		Pin Ø [in]	Pin Qty.	Page Number	Figure Number
		Thru-Hole	Surface Mount				
C2H2/S-2000-S	R1355-SP03-01N-XXX-R27-L14	433E	285E	.040	3	122	193
C2H4/C-10	R670-0804-02N-XXX-R27-L14	433E	285E	.040	4	116	171
C2H4/C-200	R670-0804-02N-XXX-R27-L14	433E	285E	.040	4	116	171
C2H4/C-1500	R670-0804-02N-XXX-R27-L14	433E	285E	.040	4	116	171
C2H4/C-2000	R670-0804-02N-XXX-R27-L14	433E	285E	.040	4	116	171
C2H4/M-10	R530-0403-02N-XXX-R27-L14	436P55	440P55	.060	3	114	162
C2H4/M-200	R530-0403-02N-XXX-R27-L14	436P55	440P55	.060	3	114	162
C2H4/M-1500	R530-0403-02N-XXX-R27-L14	436P55	440P55	.060	3	114	162
C2H4/M-2000	R530-0403-02N-XXX-R27-L14	436P55	440P55	.060	3	114	162
C2H4/S-10	R1355-SP03-01N-XXX-R27-L14	433E	285E	.040	3	122	193
C2H4/S-200	R1355-SP03-01N-XXX-R27-L14	433E	285E	.040	3	122	193
C2H4/S-1500	R1355-SP03-01N-XXX-R27-L14	433E	285E	.040	3	122	193
C2H4/S-10-S	R1355-SP03-01N-XXX-R27-L14	433E	285E	.040	3	122	193
C2H4/S-200-S	R1355-SP03-01N-XXX-R27-L14	433E	285E	.040	3	122	193
C2H4/S-1500-S	R1355-SP03-01N-XXX-R27-L14	433E	285E	.040	3	122	193
CH2O/C-10	R670-0804-02N-XXX-R27-L14	433E	285E	.040	4	116	171
CH2O/M-10	R530-0403-02N-XXX-R27-L14	436P55	440P55	.060	3	114	162
CH2O/M-10-2E	R530-0402-02N-XXX-R27-L14	436P55	440P55	.060	2	114	159
CH2O/M-2000-2E	R530-0402-02N-XXX-R27-L14	436P55	440P55	.060	2	114	159
CH2O/S-10	R1355-SP03-01N-XXX-R27-L14	433E	285E	.040	3	122	193
CH2O/S-10-S	R1355-SP03-01N-XXX-R27-L14	433E	285E	.040	3	122	193
CI2/C-20	R670-0804-02N-XXX-R27-L14	433E	285E	.040	4	116	171
CI2/C-200	R670-0804-02N-XXX-R27-L14	433E	285E	.040	4	116	171
CI2/C-5000	R670-0804-02N-XXX-R27-L14	433E	285E	.040	4	116	171
CI2/M-20	R530-0403-02N-XXX-R27-L14	436P55	440P55	.060	3	114	162
CI2/S-20	R1355-SP03-01N-XXX-R27-L14	433E	285E	.040	3	122	193
CI2/S-50	R1355-SP03-01N-XXX-R27-L14	433E	285E	.040	3	122	193
CI2/S-200	R1355-SP03-01N-XXX-R27-L14	433E	285E	.040	3	122	193
CI2/S-20-S	R1355-SP03-01N-XXX-R27-L14	433E	285E	.040	3	122	193
CI2/S-50-S	R1355-SP03-01N-XXX-R27-L14	433E	285E	.040	3	122	193
CI2/S-200-S	R1355-SP03-01N-XXX-R27-L14	433E	285E	.040	3	122	193
CO/C-1000	R670-0804-02N-XXX-R27-L14	433E	285E	.040	4	116	171
CO/CF-200	R670-0804-02N-XXX-R27-L14	433E	285E	.040	4	116	171
CO/CF-500	R670-0804-02N-XXX-R27-L14	433E	285E	.040	4	116	171
CO/CF-1000	R670-0804-02N-XXX-R27-L14	433E	285E	.040	4	116	171
CO/CF-2000	R670-0804-02N-XXX-R27-L14	433E	285E	.040	4	116	171
CO/CFA-200	R670-0804-02N-XXX-R27-L14	433E	285E	.040	4	116	171
CO/CFA-1000	R670-0804-02N-XXX-R27-L14	433E	285E	.040	4	116	171
CO/CFA-10000	R670-0804-02N-XXX-R27-L14	433E	285E	.040	4	116	171

Membrapor Sensor Sockets <i>Continued</i>							
Membrapor Sensor Sockets Part Number	Andon Part Number Replace "XXX" w ith Terminal Type	Terminal Type		Pin Ø [in]	Pin Qty.	Page Number	Figure Number
		Thru-Hole	Surface Mount				
CO/MF-2E	R530-0402-02N-XXX-R27-L14	436P55	440P55	.060	2	114	159
CO/MF-200	R530-0403-02N-XXX-R27-L14	436P55	440P55	.060	3	114	162
CO/MF-500	R530-0403-02N-XXX-R27-L14	436P55	440P55	.060	3	114	162
CO/MF-1000	R530-0403-02N-XXX-R27-L14	436P55	440P55	.060	3	114	162
CO/MF-2000	R530-0403-02N-XXX-R27-L14	436P55	440P55	.060	3	114	162
CO/MFA-500	R530-0403-02N-XXX-R27-L14	436P55	440P55	.060	3	114	162
CO/S-1000	R1355-SP03-01N-XXX-R27-L14	433E	285E	.040	3	122	193
CO/SF-200	R1355-SP03-01N-XXX-R27-L14	433E	285E	.040	3	122	193
CO/SF-500	R1355-SP03-01N-XXX-R27-L14	433E	285E	.040	3	122	193
CO/SF-1000	R1355-SP03-01N-XXX-R27-L14	433E	285E	.040	3	122	193
CO/SF-2000	R1355-SP03-01N-XXX-R27-L14	433E	285E	.040	3	122	193
CO/SF-200-S	R1355-SP03-01N-XXX-R27-L14	433E	285E	.040	3	122	193
CO/SF-500-S	R1355-SP03-01N-XXX-R27-L14	433E	285E	.040	3	122	193
CO/SF-1000-S	R1355-SP03-01N-XXX-R27-L14	433E	285E	.040	3	122	193
CO/SF-2000-S	R1355-SP03-01N-XXX-R27-L14	433E	285E	.040	3	122	193
CO/SF-4000-S	R1355-SP03-01N-XXX-R27-L14	433E	285E	.040	3	122	193
CO/SF-40000-S	R1355-SP02-02N-XXX-R27-L14	433E	285E	.040	2	122	192
CO/SF-2E	R1355-SP02-02N-XXX-R27-L14	433E	285E	.040	2	122	192
CO/SF-2E-S	R1355-SP02-02N-XXX-R27-L14	433E	285E	.040	2	122	192
CO/SF-4E-S	R1355-SP04-03N-XXX-R27-L14	433E	285E	.040	4	122	194
CO/SFA-200	R1355-SP03-01N-XXX-R27-L14	433E	285E	.040	3	122	193
CO/SFA-1000	R1355-SP03-01N-XXX-R27-L14	433E	285E	.040	3	122	193
CO/SFA-10'000	R1355-SP03-01N-XXX-R27-L14	433E	285E	.040	3	122	193
CO/SFA-200-S	R1355-SP03-01N-XXX-R27-L14	433E	285E	.040	3	122	193
CO/SFA-1000-S	R1355-SP03-01N-XXX-R27-L14	433E	285E	.040	3	122	193
CO/SFA-10'000-S	R1355-SP03-01N-XXX-R27-L14	433E	285E	.040	3	122	193
ETO/C-20	R670-0804-02N-XXX-R27-L14	433E	285E	.040	4	116	171
H2/C-1000	R670-0804-02N-XXX-R27-L14	433E	285E	.040	4	116	171
H2/C-2000	R670-0804-02N-XXX-R27-L14	433E	285E	.040	4	116	171
H2/C-5000	R670-0804-02N-XXX-R27-L14	433E	285E	.040	4	116	171
H2/C-20000	R670-0804-02N-XXX-R27-L14	433E	285E	.040	4	116	171
H2/CA-1000	R670-0804-02N-XXX-R27-L14	433E	285E	.040	4	116	171
H2/CB-1000	R670-0804-02N-XXX-R27-L14	433E	285E	.040	4	116	171
H2/CT-40000	R670-0804-02N-XXX-R27-L14	433E	285E	.040	4	116	171
H2/M-1000	R530-0403-02N-XXX-R27-L14	436P55	440P55	.060	3	114	162
H2/M-4000	R530-0403-02N-XXX-R27-L14	436P55	440P55	.060	3	114	162
H2/S-1000	R1355-SP03-01N-XXX-R27-L14	433E	285E	.040	3	122	193
H2/S-2000	R1355-SP03-01N-XXX-R27-L14	433E	285E	.040	3	122	193
H2/S-1000-S	R1355-SP03-01N-XXX-R27-L14	433E	285E	.040	3	122	193
H2/S-10000-S	R1355-SP03-01N-XXX-R27-L14	433E	285E	.040	3	122	193
H2/SA-1000	R1355-SP03-01N-XXX-R27-L14	433E	285E	.040	3	122	193
H2O2/CB-100	R670-0804-02N-XXX-R27-L14	433E	285E	.040	4	116	171
H2O2/CB-500	R670-0804-02N-XXX-R27-L14	433E	285E	.040	4	116	171
H2S/C-50	R670-0804-02N-XXX-R27-L14	433E	285E	.040	4	116	171
H2S/C-200	R670-0804-02N-XXX-R27-L14	433E	285E	.040	4	116	171
H2S/C-1000	R670-0804-02N-XXX-R27-L14	433E	285E	.040	4	116	171
H2S/C-2000	R670-0804-02N-XXX-R27-L14	433E	285E	.040	4	116	171
H2S/C-5000	R670-0804-02N-XXX-R27-L14	433E	285E	.040	4	116	171
H2S/CD-5000	R670-0804-02N-XXX-R27-L14	433E	285E	.040	4	116	171
H2S/M-50	R530-0403-02N-XXX-R27-L14	436P55	440P55	.060	3	114	162
H2S/M-100	R530-0403-02N-XXX-R27-L14	436P55	440P55	.060	3	114	162
H2S/M-500	R530-0403-02N-XXX-R27-L14	436P55	440P55	.060	3	114	162
H2S/M-2000	R530-0403-02N-XXX-R27-L14	436P55	440P55	.060	3	114	162
H2S/S-50	R1355-SP03-01N-XXX-R27-L14	433E	285E	.040	3	122	193
H2S/S-200	R1355-SP03-01N-XXX-R27-L14	433E	285E	.040	3	122	193

Membrapor Sensor Sockets <i>Continued</i>							
Membrapor Sensor Sockets Part Number	Andon Part Number Replace "XXX" w ith Terminal Type	Terminal Type		Pin Ø [in]	Pin Qty.	Page Number	Figure Number
		Thru-Hole	Surface Mount				
H2S/S-1000	R1355-SP03-01N-XXX-R27-L14	433E	285E	.040	3	122	193
H2S/S-10000	R1355-SP03-01N-XXX-R27-L14	433E	285E	.040	3	122	193
H2S/M-200-2E	R530-0402-02N-XXX-R27-L14	436P55	440P55	.060	2	114	159
H2S/S-50-S	R1355-SP03-01N-XXX-R27-L14	433E	285E	.040	3	122	193
H2S/S-200-S	R1355-SP03-01N-XXX-R27-L14	433E	285E	.040	3	122	193
H2S/S-1000-S	R1355-SP03-01N-XXX-R27-L14	433E	285E	.040	3	122	193
H2S/S-10000-S	R1355-SP03-01N-XXX-R27-L14	433E	285E	.040	3	122	193
H2S/SD-20000	R1355-SP03-01N-XXX-R27-L14	433E	285E	.040	3	122	193
HCI/C-20	R670-0804-02N-XXX-R27-L14	433E	285E	.040	4	116	171
HCI/C-200	R670-0804-02N-XXX-R27-L14	433E	285E	.040	4	116	171
HCI/C-1000	R670-0804-02N-XXX-R27-L14	433E	285E	.040	4	116	171
HCI/C-3000	R670-0804-02N-XXX-R27-L14	433E	285E	.040	4	116	171
HCI/M-20	R530-0403-02N-XXX-R27-L14	436P55	440P55	.060	3	114	162
HCI/M-100	R670-0804-02N-XXX-R27-L14	433E	285E	.040	4	116	171
HCI/M-50	R530-0403-02N-XXX-R27-L14	436P55	440P55	.060	3	114	162
NH3/CR-200	R670-0804-02N-XXX-R27-L14	433E	285E	.040	4	116	171
NH3/CR-1000	R670-0804-02N-XXX-R27-L14	433E	285E	.040	4	116	171
NH3/CR-5000	R670-0804-02N-XXX-R27-L14	433E	285E	.040	4	116	171
NH3/MR-100	R530-0403-02N-XXX-R27-L14	436P55	440P55	.060	3	114	162
NH3/MR-100-2E	R530-0402-02N-XXX-R27-L14	436P55	440P55	.060	2	114	159
NH3/MR-500	R530-0403-02N-XXX-R27-L14	436P55	440P55	.060	3	114	162
NH3/MR-1000	R530-0403-02N-XXX-R27-L14	436P55	440P55	.060	3	114	162
NH3/SR-200	R1355-SP03-01N-XXX-R27-L14	433E	285E	.040	3	122	193
NH3/SR-200-S	R1355-SP03-01N-XXX-R27-L14	433E	285E	.040	3	122	193
NH3/SR-1000	R1355-SP03-01N-XXX-R27-L14	433E	285E	.040	3	122	193
NH3/SR-1000-S	R1355-SP03-01N-XXX-R27-L14	433E	285E	.040	3	122	193
NO2/C-20	R670-0804-02N-XXX-R27-L14	433E	285E	.040	4	116	171
NO/C-25	R670-0804-02N-XXX-R27-L14	433E	285E	.040	4	116	171
NO/C-100	R670-0804-02N-XXX-R27-L14	433E	285E	.040	4	116	171
NO/CF-100	R670-0804-02N-XXX-R27-L14	433E	285E	.040	4	116	171
NO/CF-2000	R670-0804-02N-XXX-R27-L14	433E	285E	.040	4	116	171
NO/M-250	R530-0403-02N-XXX-R27-L14	436P55	440P55	.060	3	114	162
NO/M-1000	R530-0403-02N-XXX-R27-L14	436P55	440P55	.060	3	114	162
NO/S-25	R1355-SP03-01N-XXX-R27-L14	433E	285E	.040	3	122	193
NO/S-25-S	R1355-SP03-01N-XXX-R27-L14	433E	285E	.040	3	122	193
NO/S-100-S	R1355-SP03-01N-XXX-R27-L14	433E	285E	.040	3	122	193
NO/SF-100	R1355-SP03-01N-XXX-R27-L14	433E	285E	.040	3	122	193
NO/SF-100-S	R1355-SP03-01N-XXX-R27-L14	433E	285E	.040	3	122	193
NO/SF-1000	R1355-SP03-01N-XXX-R27-L14	433E	285E	.040	3	122	193
NO/SF-1000-S	R1355-SP03-01N-XXX-R27-L14	433E	285E	.040	3	122	193
NO/SF-2000-S	R1355-SP03-01N-XXX-R27-L14	433E	285E	.040	3	122	193
NO/SF-5000	R1355-SP03-01N-XXX-R27-L14	433E	285E	.040	3	122	193
NO/SF-5000-S	R1355-SP03-01N-XXX-R27-L14	433E	285E	.040	3	122	193
NO2/M-2E	R530-0402-02N-XXX-R27-L14	436P55	440P55	.060	2	114	159
NO2/M-20	R530-0403-02N-XXX-R27-L14	436P55	440P55	.060	3	114	162
NO2/M-100	R530-0403-02N-XXX-R27-L14	436P55	440P55	.060	3	114	162
NO2/S-20-S	R1355-SP03-01N-XXX-R27-L14	433E	285E	.040	3	122	193
NO2/S-100	R1355-SP03-01N-XXX-R27-L14	433E	285E	.040	3	122	193
NO2/S-500-S	R1355-SP03-01N-XXX-R27-L14	433E	285E	.040	3	122	193
NO2/S-1000	R1355-SP03-01N-XXX-R27-L14	433E	285E	.040	3	122	193
NO2/S-1000-S	R1355-SP03-01N-XXX-R27-L14	433E	285E	.040	3	122	193
O3/C-5	R670-0804-02N-XXX-R27-L14	433E	285E	.040	4	116	171
O3/C-100	R670-0804-02N-XXX-R27-L14	433E	285E	.040	4	116	171
O3/C-200	R670-0804-02N-XXX-R27-L14	433E	285E	.040	4	116	171
O3/C-1000	R670-0804-02N-XXX-R27-L14	433E	285E	.040	4	116	171

Membrapor Sensor Sockets <i>Continued</i>							
Membrapor Sensor Sockets Part Number	Andon Part Number Replace "XXX" w ith Terminal Type	Terminal Type		Pin Ø [in]	Pin Qty.	Page Number	Figure Number
		Thru-Hole	Surface Mount				
O3/C-5000	R670-0804-02N-XXX-R27-L14	433E	285E	.040	4	116	171
O3/M-5	R530-0403-02N-XXX-R27-L14	436P55	440P55	.060	3	114	162
O3/M-100	R530-0403-02N-XXX-R27-L14	436P55	440P55	.060	3	114	162
O3/S-5	R1355-SP03-01N-XXX-R27-L14	433E	285E	.040	3	122	193
O3/S-5-S	R1355-SP03-01N-XXX-R27-L14	433E	285E	.040	3	122	193
O3/S-30000	R1355-SP03-01N-XXX-R27-L14	433E	285E	.040	3	122	193
PH3/C-5	R670-0804-02N-XXX-R27-L14	433E	285E	.040	4	116	171
PH3/C-500	R670-0804-02N-XXX-R27-L14	433E	285E	.040	4	116	171
PH3/C-1000	R670-0804-02N-XXX-R27-L14	433E	285E	.040	4	116	171
PH3/C-2000	R670-0804-02N-XXX-R27-L14	433E	285E	.040	4	116	171
PH3/M-5	R530-0403-02N-XXX-R27-L14	436P55	440P55	.060	3	114	162
PH3/M-20	R530-0403-02N-XXX-R27-L14	436P55	440P55	.060	3	114	162
PH3/S-5	R1355-SP03-01N-XXX-R27-L14	433E	285E	.040	3	122	193
PH3/S-5-S	R1355-SP03-01N-XXX-R27-L14	433E	285E	.040	3	122	193
SERIES 4 TO 3	RA530-0403-01-XXX-R27-L14	N/A	440P55	.060	3	126	213
SERIES 4 TO 7	RA530-0403-02-XXX-R27-L14	N/A	440P55	.060	3	126	214
SiH4/C-20	R670-0804-02N-XXX-R27-L14	433E	285E	.040	4	116	171
SiH4/C-50	R670-0804-02N-XXX-R27-L14	433E	285E	.040	4	116	171
SiH4/M-50	R530-0403-02N-XXX-R27-L14	436P55	440P55	.060	3	114	162
SiH4/S-50	R1355-SP03-01N-XXX-R27-L14	433E	285E	.040	3	122	193
SiH4/S-50-S	R1355-SP03-01N-XXX-R27-L14	433E	285E	.040	3	122	193
SO2/C-20	R670-0804-02N-XXX-R27-L14	433E	285E	.040	4	116	171
SO2/C-100	R670-0804-02N-XXX-R27-L14	433E	285E	.040	4	116	171
SO2/C-2000	R670-0804-02N-XXX-R27-L14	433E	285E	.040	4	116	171
SO2/CF-20	R670-0804-02N-XXX-R27-L14	433E	285E	.040	4	116	171
SO2/CF-100	R670-0804-02N-XXX-R27-L14	433E	285E	.040	4	116	171
SO2/M-20	R530-0403-02N-XXX-R27-L14	436P55	440P55	.060	3	114	162
SO2/MF-20	R530-0403-02N-XXX-R27-L14	436P55	440P55	.060	3	114	162
SO2/S-20	R1355-SP03-01N-XXX-R27-L14	433E	285E	.040	3	122	193
SO2/S-20-S	R1355-SP03-01N-XXX-R27-L14	433E	285E	.040	3	122	193
SO2/S-100	R1355-SP03-01N-XXX-R27-L14	433E	285E	.040	3	122	193
SO2/S-2000-S	R1355-SP03-01N-XXX-R27-L14	433E	285E	.040	3	122	193
SO2/SF-100	R1355-SP03-01N-XXX-R27-L14	433E	285E	.040	3	122	193
SO2/SF-100-S	R1355-SP03-01N-XXX-R27-L14	433E	285E	.040	3	122	193
SO2/SF-2000-S	R1355-SP03-01N-XXX-R27-L14	433E	285E	.040	3	122	193

Micro-Hybrid Electronic GmbH Sockets							
Micro-Hybrid Electronic GmbH Sockets Part Number	Andon Part Number Replace "XXX" w ith Terminal Type	Terminal Type		Pin Ø [in]	Pin Qty.	Page Number	Figure Number
		Thru-Hole	Surface Mount				
TS200B1	R200-0403-04T-XXX-R27-L14	01S	93S	.018	3	93	57
TS200M1	R100-0403-01T-XXX-R27-L14	75S	265S	.018	3	87	18
TS200MX	R100-0403-01T-XXX-R27-L14	75S	265S	.018	3	87	18
TS200X	R200-0403-04T-XXX-R27-L14	01S	93S	.018	3	93	57
TS80T5	R200-0403-02T-XXX-R27-L14	01S	93S	.018	3	93	54
TS2x2001	R200-0404-01T-XXX-R27-L14	01S	93S	.018	4	94	58
TS2x2002	R200-0404-01T-XXX-R27-L14	01S	93S	.018	4	94	58
TS2x2003	R200-0404-01T-XXX-R27-L14	01S	93S	.018	4	94	58
TS2x200X	R200-0404-01T-XXX-R27-L14	01S	93S	.018	4	94	58
TS4x2001	R230-0806-02T-XXX-R27-L14	211S	384S	.018	6	99	85
TS4x200X	R230-0806-02T-XXX-R27-L14	211S	384S	.018	6	99	85

Micropac Industries, Inc. Sockets							
Micropac Industries, Inc. Sockets Part Number	Andon Part Number Replace "XXX" w ith Terminal Type	Terminal Type		Pin Ø [in]	Pin Qty.	Page Number	Figure Number
		Thru-Hole	Surface Mount				
42106	F500-SP09-01-XXX-R27-L14	433E	285E	.040	9	125	208
42109	F500-SP09-01-XXX-R27-L14	433E	285E	.040	9	125	208
42115	F500-SP09-01-XXX-R27-L14	433E	285E	.040	9	125	208
61048	R100-0403-01T-XXX-R27-L14	75S	265S	.018	3	87	18
61058	R100-0403-01T-XXX-R27-L14	75S	265S	.018	3	87	18
61082	R100-0403-01T-XXX-R27-L14	75S	265S	.018	3	87	18
62033	R100-0402-01T-XXX-R27-L14	75S	265S	.018	2	86	12
62038	R100-0403-01T-XXX-R27-L14	75S	265S	.018	3	87	18
62069	R100-0402-01T-XXX-R27-L14	75S	265S	.018	2	86	12
62072	R100-0403-01T-XXX-R27-L14	75S	265S	.018	3	87	18
62074	R100-0403-01T-XXX-R27-L14	75S	265S	.018	3	87	18
62098	R100-0402-01T-XXX-R27-L14	75S	265S	.018	2	86	12
62099	R200-0806-04T-XXX-R27-L14	75S	265S	.018	6	95	65
66158	R100-0404-01T-XXX-R27-L14	75S	265S	.018	4	88	23
66163	R100-0404-01T-XXX-R27-L14	75S	265S	.018	4	88	23
66164	R100-0404-01T-XXX-R27-L14	75S	265S	.018	4	88	23
66168	R200-0806-04T-XXX-R27-L14	75S	265S	.018	6	95	65
66189	R100-0404-01T-XXX-R27-L14	75S	265S	.018	4	88	23
66193	R100-0404-01T-XXX-R27-L14	75S	265S	.018	4	88	23
66225	R100-0404-01T-XXX-R27-L14	75S	265S	.018	4	88	23
66229	R200-0806-04T-XXX-R27-L14	75S	265S	.018	6	95	65
3N243	R100-0404-01T-XXX-R27-L14	75S	265S	.018	4	88	23
3N244	R100-0404-01T-XXX-R27-L14	75S	265S	.018	4	88	23
3N245	R100-0404-01T-XXX-R27-L14	75S	265S	.018	4	88	23
3N261	R100-0404-01T-XXX-R27-L14	75S	265S	.018	4	88	23
3N262	R100-0404-01T-XXX-R27-L14	75S	265S	.018	4	88	23
3N263	R100-0404-01T-XXX-R27-L14	75S	265S	.018	4	88	23
4N22	R200-0806-04T-XXX-R27-L14	75S	265S	.018	6	95	65
4N22/A	R200-0806-04T-XXX-R27-L14	75S	265S	.018	6	95	65
42106	F500-SP09-01-XXX-R27-L14	433E	285E	.040	9	125	208
42109	F500-SP09-01-XXX-R27-L14	433E	285E	.040	9	125	208
42115	F500-SP09-01-XXX-R27-L14	433E	285E	.040	9	125	208
61048	R100-0403-01T-XXX-R27-L14	75S	265S	.018	3	87	18
61058	R100-0403-01T-XXX-R27-L14	75S	265S	.018	3	87	18
61082	R100-0403-01T-XXX-R27-L14	75S	265S	.018	3	87	18
62033	R100-0402-01T-XXX-R27-L14	75S	265S	.018	2	86	12
62038	R100-0403-01T-XXX-R27-L14	75S	265S	.018	3	87	18
62069	R100-0402-01T-XXX-R27-L14	75S	265S	.018	2	86	12
62072	R100-0403-01T-XXX-R27-L14	75S	265S	.018	3	87	18
62074	R100-0403-01T-XXX-R27-L14	75S	265S	.018	3	87	18
62098	R100-0402-01T-XXX-R27-L14	75S	265S	.018	2	86	12
62099	R200-0806-04T-XXX-R27-L14	75S	265S	.018	6	95	65
66158	R100-0404-01T-XXX-R27-L14	75S	265S	.018	4	88	23
66163	R100-0404-01T-XXX-R27-L14	75S	265S	.018	4	88	23
66164	R100-0404-01T-XXX-R27-L14	75S	265S	.018	4	88	23
66168	R200-0806-04T-XXX-R27-L14	75S	265S	.018	6	95	65
66189	R100-0404-01T-XXX-R27-L14	75S	265S	.018	4	88	23
66193	R100-0404-01T-XXX-R27-L14	75S	265S	.018	4	88	23
66225	R100-0404-01T-XXX-R27-L14	75S	265S	.018	4	88	23
66229	R200-0806-04T-XXX-R27-L14	75S	265S	.018	6	95	65
3N243	R100-0404-01T-XXX-R27-L14	75S	265S	.018	4	88	23
3N244	R100-0404-01T-XXX-R27-L14	75S	265S	.018	4	88	23
3N245	R100-0404-01T-XXX-R27-L14	75S	265S	.018	4	88	23
3N261	R100-0404-01T-XXX-R27-L14	75S	265S	.018	4	88	23
3N262	R100-0404-01T-XXX-R27-L14	75S	265S	.018	4	88	23

Micropac Industries, Inc. Sockets <i>Continued</i>							
Micropac Industries, Inc. Sockets Part Number	Andon Part Number Replace "XXX" w ith Terminal Type	Terminal Type		Pin Ø [in]	Pin Qty.	Page Number	Figure Number
		Thru-Hole	Surface Mount				
3N263	R100-0404-01T-XXX-R27-L14	75S	265S	.018	4	88	23
4N22	R200-0806-04T-XXX-R27-L14	75S	265S	.018	6	95	65
4N22/A	R200-0806-04T-XXX-R27-L14	75S	265S	.018	6	95	65
4N23	R200-0806-04T-XXX-R27-L14	75S	265S	.018	6	95	65
4N23/A	R200-0806-04T-XXX-R27-L14	75S	265S	.018	6	95	65
4N24	R200-0806-04T-XXX-R27-L14	75S	265S	.018	6	95	65
4N24/A	R200-0806-04T-XXX-R27-L14	75S	265S	.018	6	95	65
4N47	R200-0806-04T-XXX-R27-L14	75S	265S	.018	6	95	65
4N47/A	R200-0806-04T-XXX-R27-L14	75S	265S	.018	6	95	65
4N48	R200-0806-04T-XXX-R27-L14	75S	265S	.018	6	95	65
4N48/A	R200-0806-04T-XXX-R27-L14	75S	265S	.018	6	95	65
4N49	R200-0806-04T-XXX-R27-L14	75S	265S	.018	6	95	65
4N49/A	R200-0806-04T-XXX-R27-L14	75S	265S	.018	6	95	65

Microsens SA Sockets							
Microsens SA Sockets Part Number	Andon Part Number Replace "XXX" w ith Terminal Type	Terminal Type		Pin Ø [in]	Pin Qty.	Page Number	Figure Number
		Thru-Hole	Surface Mount				
MCGS-2102	R200-0404-01T-XXX-R27-L14	01S	93S	.018	4	94	58
MSGs-3001-B	R200-0404-01T-XXX-R27-L14	01S	93S	.018	4	94	58
MSGs-3002-B	R200-0404-01T-XXX-R27-L14	01S	93S	.018	4	94	58
MSGs-3001-D	R100-0404-02T-XXX-R27-L14	75S	265S	.018	4	88	26
MSGs-3002-D	R100-0404-02T-XXX-R27-L14	75S	265S	.018	4	88	26

MRB Scientific Ltd. Sockets							
MRB Scientific Ltd. Sockets Part Number	Andon Part Number Replace "XXX" w ith Terminal Type	Terminal Type		Pin Ø [in]	Pin Qty.	Page Number	Figure Number
		Thru-Hole	Surface Mount				
S+2ECO	R530-0403-02N-XXX-R27-L14	436P55	440P55	.060	3	114	162
S+2ECOH	R530-0403-02N-XXX-R27-L14	436P55	440P55	.060	3	114	162
S+4CO	R530-0403-02N-XXX-R27-L14	436P55	440P55	.060	3	114	162
S+4DT	R530-SP04-01T-XXX-R27-L14	436P55	440P55	.060	4	115	165
S+4H2S	R530-0403-02N-XXX-R27-L14	436P55	440P55	.060	3	114	162
S+4OX	R530-SP02-02N-XXX-R27-L14	436P55	440P55	.060	2	115	163
S+7CO	R670-0804-02N-XXX-R27-L14	433E	285E	.040	4	116	171
S+7ETO	R670-0804-02N-XXX-R27-L14	433E	285E	.040	4	116	171
S+7H2S	R670-0804-02N-XXX-R27-L14	433E	285E	.040	4	116	171
S+7NH3	R670-0804-02N-XXX-R27-L14	433E	285E	.040	4	116	171
S+7OX	R670-SP02-02N-XXX-R27-L14	433E	285E	.040	2	116	172

MST IT Micro Sensor Technology Sockets							
MST IT Micro Sensor Technology Sockets Part Number	Andon Part Number Replace "XXX" w ith Terminal Type	Terminal Type		Pin Ø [in]	Pin Qty.	Page Number	Figure Number
		Thru-Hole	Surface Mount				
Combustible Gas Sensor	R100-0402-01T-XXX-R27-L14	75S	265S	.018	2	86	12

Nanoplus GmbH Sockets							
Nanoplus GmbH Sockets Part Number	Andon Part Number Replace "XXX" w ith Terminal Type	Terminal Type		Pin Ø [in]	Pin Qty.	Page Number	Figure Number
		Thru-Hole	Surface Mount				
TO 5.6mm	R080-0403-01N-XXX-R27-L14	274K	281K	.018	3	86	9
TO 5mm	R200-0808-01T-XXX-R27-L14	75S	265S	.018	8	96	68
TO 8mm	R375-SP06-02T-XXX-R27-L14	75S	384S	.018	6	106	122
TO 9mm	R100-0403-01T-XXX-R27-L14	75S	265S	.018	3	87	18

N.E.T. srl Sockets							
N.E.T. srl Sockets Part Number	Andon Part Number Replace "XXX" w ith Terminal Type	Terminal Type		Pin Ø [in]	Pin Qty.	Page Number	Figure Number
		Thru-Hole	Surface Mount				
IRNET-7-32	R505-SP07-01T-XXX-R27-L14	436P55	440P55	.060	7	113	155
IRNET-7-20	R505-SP07-01T-XXX-R27-L14	436P55	440P55	.060	7	113	155
IRNET-P-20	R300-SP03-02T-XXX-R27-L14	436P55	440P55	.060	3	103	106
IRNET-P-32	R300-SP03-02T-XXX-R27-L14	436P55	440P55	.060	3	103	106
IRPELL-P-20	R300-SP03-02T-XXX-R27-L14	436P55	440P55	.060	3	103	106
IRPELL-P-32	R300-SP03-02T-XXX-R27-L14	436P55	440P55	.060	3	103	106
NAP-50A	R230-0404-02T-XXX-R27-L14	295V	439V	.030	4	99	84
NAP-55A	R230-0404-02T-XXX-R27-L14	295V	439V	.030	4	99	84
NAP-66A	R230-0404-02T-XXX-R27-L14	295V	439V	.030	4	99	84
NET-4-10S	R230-0404-02T-XXX-R27-L14	295V	439V	.030	4	99	84
NET-4-13S	R230-0404-02T-XXX-R27-L14	295V	439V	.030	4	99	84
NET-5-10S	R300-SP03-02T-XXX-R27-L14	436P55	440P55	.060	3	103	106
NET-5-13S	R300-SP03-02T-XXX-R27-L14	436P55	440P55	.060	3	103	106
NP-17	R140-0402-01T-XXX-R27-L14	01S	93S	.018	2	90	38
NP-18	R140-0402-01T-XXX-R27-L14	01S	93S	.018	2	90	38
NP-30	R140-0402-01T-XXX-R27-L14	01S	93S	.018	2	90	38
NP-17SL	R230-0404-02T-XXX-R27-L14	295V	439V	.030	4	99	84
NP-17SM	R230-0404-02T-XXX-R27-L14	295V	439V	.030	4	99	84
NP-18SM	R230-0404-02T-XXX-R27-L14	295V	439V	.030	4	99	84
NPL-10S	R230-0404-02T-XXX-R27-L14	295V	439V	.030	4	99	84
NPL-13S	R300-SP03-02T-XXX-R27-L14	436P55	440P55	.060	3	103	106
NP-AC	R118-0402-01T-XXX-R27-L14	75S	265S	.018	2	89	35
NP-AHSM	R230-0404-02T-XXX-R27-L14	295V	439V	.030	4	99	84
NP-ANSM	R230-0404-02T-XXX-R27-L14	295V	439V	.030	4	99	84
NT-CO	R530-0403-02N-XXX-R27-L14	436P55	440P55	.060	3	114	162
NT-CO-2F	301-003-XXX-R27-B10	299S	N/A	.018	3	122	195
NT-CO-LI	R530-0403-02N-XXX-R27-L14	436P55	440P55	.060	3	114	162
NT-H2S	R530-0403-02N-XXX-R27-L14	436P55	440P55	.060	3	114	162
NT-H2S-1	R530-0403-02N-XXX-R27-L14	436P55	440P55	.060	3	114	162
NT-H2S-2	R530-0403-02N-XXX-R27-L14	436P55	440P55	.060	3	114	162
NT-H2S-2F	301-003-XXX-R27-B10	299S	N/A	.018	3	122	195
NT-H2S-3	R530-0403-02N-XXX-R27-L14	436P55	440P55	.060	3	114	162
NT-NH3	R530-0403-02N-XXX-R27-L14	436P55	440P55	.060	3	114	162
NT-NO2	R530-0403-02N-XXX-R27-L14	436P55	440P55	.060	3	114	162

Nemoto & CO. LTD. Sockets							
Nemoto & CO. LTD. Sockets Part Number	Andon Part Number Replace "XXX" w ith Terminal Type	Terminal Type		Pin Ø [in]	Pin Qty.	Page Number	Figure Number
		Thru-Hole	Surface Mount				
NAP-55A	R230-0404-02T-XXX-R27-L14	295V	439V	.030	4	99	84
NAP-66A	R230-0404-02T-XXX-R27-L14	295V	439V	.030	4	99	84
NHS-12	301-003-XXX-R27-B10	299S	N/A	.018	3	122	195
NHS-20	301-003-XXX-R27-B10	299S	N/A	.018	3	122	195
NHS-25	301-003-XXX-R27-B10	299S	N/A	.018	3	122	195
NAP-2A	R295-0402-02T-XXX-R27-L14	01S	93S	.018	2	102	101
NAP-3A	R295-0402-02T-XXX-R27-L14	01S	93S	.018	2	102	101
NAP-21A	R173-0402-01T-XXX-R27-L14	01S	93S	.018	2	91	44

New England Photoconductor Sockets							
New England Photoconductor Sockets Part Number	Andon Part Number Replace "XXX" w ith Terminal Type	Terminal Type		Pin Ø [in]	Pin Qty.	Page Number	Figure Number
		Thru-Hole	Surface Mount				
AM-.25-46	R200-0403-02T-XXX-R27-L14	01S	93S	.018	3	93	54
AM-.25-5	R200-0403-04T-XXX-R27-L14	01S	93S	.018	3	93	57

New England Photoconductor Sockets *Continued*

New England Photoconductor Sockets Part Number	Andon Part Number Replace "XXX" w ith Terminal Type	Terminal Type		Pin Ø [in]	Pin Qty.	Page Number	Figure Number
		Thru-Hole	Surface Mount				
AM-.5-46	R200-0403-02T-XXX-R27-L14	01S	93S	.018	3	93	54
AM-.5-5	R200-0403-04T-XXX-R27-L14	01S	93S	.018	3	93	57
AM-10-3	F490-SP02-01-XXX-R27-L14	433E	285E	.040	2	124	205
AM-1-46	R200-0403-02T-XXX-R27-L14	01S	93S	.018	3	93	54
AM-1-5	R200-0403-04T-XXX-R27-L14	01S	93S	.018	3	93	57
AM-2-5	R200-0403-04T-XXX-R27-L14	01S	93S	.018	3	93	57
AM-3-5	R200-0403-04T-XXX-R27-L14	01S	93S	.018	3	93	57
AM-5-8	R290-0403-01T-XXX-R27-L14	01S	93S	.018	3	102	99
BM-.25-46	R200-0403-02T-XXX-R27-L14	01S	93S	.018	3	93	54
BM-.25-5	R200-0403-04T-XXX-R27-L14	01S	93S	.018	3	93	57
BM-.5-46	R200-0403-02T-XXX-R27-L14	01S	93S	.018	3	93	54
BM-.5-5	R200-0403-04T-XXX-R27-L14	01S	93S	.018	3	93	57
BM-10-3	F490-SP02-01-XXX-R27-L14	433E	285E	.040	2	124	205
BM-1-46	R200-0403-02T-XXX-R27-L14	01S	93S	.018	3	93	54
BM-1-5	R200-0403-04T-XXX-R27-L14	01S	93S	.018	3	93	57
BM-2-5	R200-0403-04T-XXX-R27-L14	01S	93S	.018	3	93	57
BM-3-5	R200-0403-04T-XXX-R27-L14	01S	93S	.018	3	93	57
BM-5-8	R290-0403-01T-XXX-R27-L14	01S	93S	.018	3	102	99
CM-.25-46	R200-0403-02T-XXX-R27-L14	01S	93S	.018	3	93	54
CM-.25-5	R200-0403-04T-XXX-R27-L14	01S	93S	.018	3	93	57
CM-.5-46	R200-0403-02T-XXX-R27-L14	01S	93S	.018	3	93	54
CM-.5-5	R200-0403-04T-XXX-R27-L14	01S	93S	.018	3	93	57
CM-10-3	F490-SP02-01-XXX-R27-L14	433E	285E	.040	2	124	205
CM-1-46	R200-0403-02T-XXX-R27-L14	01S	93S	.018	3	93	54
CM-1-5	R200-0403-04T-XXX-R27-L14	01S	93S	.018	3	93	57
CM-2-5	R200-0403-04T-XXX-R27-L14	01S	93S	.018	3	93	57
CM-3-5	R200-0403-04T-XXX-R27-L14	01S	93S	.018	3	93	57
CM-5-8	R290-0403-01T-XXX-R27-L14	01S	93S	.018	3	102	99
D-1-37	F200-1006-01-XXX-R27-L14	274K	281K	.018	6	123	196
D-1-5	R200-0806-02T-XXX-R27-L14	75S	265S	.018	6	95	63
D-1-66	F430-SP07-01-XXX-R27-L14	295V	439V	.030	7	124	204
D-1-8	R370-SP06-01T-XXX-R27-L14	274K	281K	.018	6	105	117
D-2-37	F200-1006-01-XXX-R27-L14	274K	281K	.018	6	123	196
D-2-5	R200-0806-02T-XXX-R27-L14	75S	265S	.018	6	95	63
D-2-66	F430-SP07-01-XXX-R27-L14	295V	439V	.030	7	124	204
D-2-8	R370-SP06-01T-XXX-R27-L14	274K	281K	.018	6	105	117
D-3-37	F200-1006-01-XXX-R27-L14	274K	281K	.018	6	123	196
D-3-5	R200-0806-02T-XXX-R27-L14	75S	265S	.018	6	95	63
D-3-66	F430-SP07-01-XXX-R27-L14	295V	439V	.030	7	124	204
D-3-8	R370-SP06-01T-XXX-R27-L14	274K	281K	.018	6	105	117
I5-.04-46	R095-SP03-01T-XXX-R27-L14	274K	281K	.018	3	86	10
I5-.08-46	R095-SP03-01T-XXX-R27-L14	274K	281K	.018	3	86	10
I5-.1-46	R095-SP03-01T-XXX-R27-L14	274K	281K	.018	3	86	10
I5-.3-46	R095-SP03-01T-XXX-R27-L14	274K	281K	.018	3	86	10
I5-.5-46	R095-SP03-01T-XXX-R27-L14	274K	281K	.018	3	86	10
I5-10-3	F490-SP06-01-XXX-R27-L14	433E	285E	.040	6	124	206
I5-1-46	R095-SP03-01T-XXX-R27-L14	274K	281K	.018	3	86	10
I5-2-5	R200-0403-03T-XXX-R27-L14	01S	93S	.018	3	93	56
I5-3-5	R200-0403-03T-XXX-R27-L14	01S	93S	.018	3	93	56
I5-5-8	R290-0403-01T-XXX-R27-L14	01S	93S	.018	3	102	99
D-10-3	F490-SP06-01-XXX-R27-L14	433E	285E	.040	6	124	206
D2-10-3	F490-SP06-01-XXX-R27-L14	433E	285E	.040	6	124	206
D21-10-3	F490-SP06-01-XXX-R27-L14	433E	285E	.040	6	124	206
D21-1-66	F430-SP07-01-XXX-R27-L14	295V	439V	.030	7	124	204
D21-1-8	R370-SP06-01T-XXX-R27-L14	274K	281K	.018	6	105	117

New England Photoconductor Sockets <i>Continued</i>							
New England Photoconductor Sockets Part Number	Andon Part Number Replace "XXX" w/ Terminal Type	Terminal Type		Pin Ø [in]	Pin Qty.	Page Number	Figure Number
		Thru-Hole	Surface Mount				
D21-2-66	F425-1006-01-XXX-R27-L14	295V	439V	.030	6	124	202
D21-2-8	R370-SP06-01T-XXX-R27-L14	274K	281K	.018	6	105	117
D21-3-66	F430-SP07-01-XXX-R27-L14	295V	439V	.030	7	124	204
D2-1-37	F200-1006-01-XXX-R27-L14	274K	281K	.018	6	123	196
D21-3-8	R370-SP06-01T-XXX-R27-L14	274K	281K	.018	6	105	117
D2-1-5	R200-0806-02T-XXX-R27-L14	75S	265S	.018	6	95	63
D21-5-66	F430-SP07-01-XXX-R27-L14	295V	439V	.030	7	124	204
D21-5-8	R370-SP06-01T-XXX-R27-L14	274K	281K	.018	6	105	117
D2-1-66	F430-SP07-01-XXX-R27-L14	295V	439V	.030	7	124	204
D2-1-8	R370-SP06-01T-XXX-R27-L14	274K	281K	.018	6	105	117
D2-2-37	F200-1006-01-XXX-R27-L14	274K	281K	.018	6	123	196
D2-2-5	R200-0806-02T-XXX-R27-L14	75S	265S	.018	6	95	63
D2-2-66	F430-SP07-01-XXX-R27-L14	295V	439V	.030	7	124	204
D2-2-8	R370-SP06-01T-XXX-R27-L14	274K	281K	.018	6	105	117
D2-3-37	F200-1006-01-XXX-R27-L14	274K	281K	.018	6	123	196
D2-3-5	R200-0806-02T-XXX-R27-L14	75S	265S	.018	6	95	63
D2-3-66	F430-SP07-01-XXX-R27-L14	295V	439V	.030	7	124	204
D2-3-8	R370-SP06-01T-XXX-R27-L14	274K	281K	.018	6	105	117
D2-5-66	F430-SP07-01-XXX-R27-L14	295V	439V	.030	7	124	204
D2-5-8	R370-SP06-01T-XXX-R27-L14	274K	281K	.018	6	105	117
D-5-66	F430-SP07-01-XXX-R27-L14	295V	439V	.030	7	124	204
D-5-8	R370-SP06-01T-XXX-R27-L14	274K	281K	.018	6	105	117
FAM-10-3	F490-SP02-01-XXX-R27-L14	433E	285E	.040	2	124	205
FAM-1-46	R200-0403-02T-XXX-R27-L14	01S	93S	.018	3	93	54
FAM-1-5	R200-0403-04T-XXX-R27-L14	01S	93S	.018	3	93	57
FAM-2-5	R200-0403-04T-XXX-R27-L14	01S	93S	.018	3	93	57
FAM-3-5	R200-0403-04T-XXX-R27-L14	01S	93S	.018	3	93	57
FAM-5-8	R290-0403-01T-XXX-R27-L14	01S	93S	.018	3	102	99
FM-10-3	F490-SP02-01-XXX-R27-L14	433E	285E	.040	2	124	205
FM-1-46	R200-0403-02T-XXX-R27-L14	01S	93S	.018	3	93	54
FM-1-5	R200-0403-04T-XXX-R27-L14	01S	93S	.018	3	93	57
FM-2-5	R200-0403-04T-XXX-R27-L14	01S	93S	.018	3	93	57
FM-3-5	R200-0403-04T-XXX-R27-L14	01S	93S	.018	3	93	57
FM-5-8	R290-0403-01T-XXX-R27-L14	01S	93S	.018	3	102	99
FSM-10-3	F490-SP02-01-XXX-R27-L14	433E	285E	.040	2	124	205
FSM-1-46	R200-0403-02T-XXX-R27-L14	01S	93S	.018	3	93	54
FSM-1-5	R200-0403-04T-XXX-R27-L14	01S	93S	.018	3	93	57
FSM-2-5	R200-0403-04T-XXX-R27-L14	01S	93S	.018	3	93	57
FSM-3-5	R200-0403-04T-XXX-R27-L14	01S	93S	.018	3	93	57
FSM-5-8	R290-0403-01T-XXX-R27-L14	01S	93S	.018	3	102	99
G-1-37	F200-1006-01-XXX-R27-L14	274K	281K	.018	6	123	196
G-1-5	R200-0806-02T-XXX-R27-L14	75S	265S	.018	6	95	63
G-1-66	F430-SP07-01-XXX-R27-L14	295V	439V	.030	7	124	204
G-1-8	R370-SP06-01T-XXX-R27-L14	274K	281K	.018	6	105	117
G-2-37	F200-1006-01-XXX-R27-L14	274K	281K	.018	6	123	196
G-2-5	R200-0806-02T-XXX-R27-L14	75S	265S	.018	6	95	63
G-2-66	F430-SP07-01-XXX-R27-L14	295V	439V	.030	7	124	204
G-2-8	R370-SP06-01T-XXX-R27-L14	274K	281K	.018	6	105	117
G-3-37	F200-1006-01-XXX-R27-L14	274K	281K	.018	6	123	196
G-10-3	F490-SP06-01-XXX-R27-L14	433E	285E	.040	6	124	206
G2-10-3	F490-SP06-01-XXX-R27-L14	433E	285E	.040	6	124	206
G21-10-3	F490-SP06-01-XXX-R27-L14	433E	285E	.040	6	124	206
G21-1-66	F430-SP07-01-XXX-R27-L14	295V	439V	.030	7	124	204
G21-1-8	R370-SP06-01T-XXX-R27-L14	274K	281K	.018	6	105	117
G21-2-66	F430-SP07-01-XXX-R27-L14	295V	439V	.030	7	124	204

New England Photoconductor Sockets <i>Continued</i>							
New England Photoconductor Sockets Part Number	Andon Part Number Replace "XXX" w ith Terminal Type	Terminal Type		Pin Ø [in]	Pin Qty.	Page Number	Figure Number
		Thru-Hole	Surface Mount				
G21-2-8	R370-SP06-01T-XXX-R27-L14	274K	281K	.018	6	105	117
G21-3-66	F430-SP07-01-XXX-R27-L14	295V	439V	.030	7	124	204
G2-1-37	F200-1006-01-XXX-R27-L14	274K	281K	.018	6	123	196
G21-3-8	R370-SP06-01T-XXX-R27-L14	274K	281K	.018	6	105	117
G2-1-5	R200-0806-02T-XXX-R27-L14	75S	265S	.018	6	95	63
G21-5-66	F430-SP07-01-XXX-R27-L14	295V	439V	.030	7	124	204
G21-5-8	R370-SP06-01T-XXX-R27-L14	274K	281K	.018	6	105	117
G2-1-66	F430-SP07-01-XXX-R27-L14	295V	439V	.030	7	124	204
G2-1-8	R370-SP06-01T-XXX-R27-L14	274K	281K	.018	6	105	117
G2-2-37	F200-1006-01-XXX-R27-L14	274K	281K	.018	6	123	196
G2-2-5	R200-0806-02T-XXX-R27-L14	75S	265S	.018	6	95	63
G2-2-66	F430-SP07-01-XXX-R27-L14	295V	439V	.030	7	124	204
G2-2-8	R370-SP06-01T-XXX-R27-L14	274K	281K	.018	6	105	117
G2-3-37	F200-1006-01-XXX-R27-L14	274K	281K	.018	6	123	196
G2-3-5	R200-0806-02T-XXX-R27-L14	75S	265S	.018	6	95	63
G2-3-66	F430-SP07-01-XXX-R27-L14	295V	439V	.030	7	124	204
G2-3-8	R370-SP06-01T-XXX-R27-L14	274K	281K	.018	6	105	117
G2-5-66	F430-SP07-01-XXX-R27-L14	295V	439V	.030	7	124	204
G2-5-8	R370-SP06-01T-XXX-R27-L14	274K	281K	.018	6	105	117
G-3-5	R200-0806-02T-XXX-R27-L14	75S	265S	.018	6	95	63
G-3-66	F430-SP07-01-XXX-R27-L14	295V	439V	.030	7	124	204
G-3-8	R370-SP06-01T-XXX-R27-L14	274K	281K	.018	6	105	117
G-5-66	F430-SP07-01-XXX-R27-L14	295V	439V	.030	7	124	204
G-5-8	R370-SP06-01T-XXX-R27-L14	274K	281K	.018	6	105	117
GS21-10-3	F490-SP06-01-XXX-R27-L14	433E	285E	.040	6	124	206
GS21-1-66	F430-SP07-01-XXX-R27-L14	295V	439V	.030	7	124	204
GS21-1-8	R370-SP06-01T-XXX-R27-L14	274K	281K	.018	6	105	117
GS21-2-66	F430-SP07-01-XXX-R27-L14	295V	439V	.030	7	124	204
GS21-2-8	R370-SP06-01T-XXX-R27-L14	274K	281K	.018	6	105	117
GS21-3-66	F430-SP07-01-XXX-R27-L14	295V	439V	.030	7	124	204
GS21-3-8	R370-SP06-01T-XXX-R27-L14	274K	281K	.018	6	105	117
GS21-5-66	F430-SP07-01-XXX-R27-L14	295V	439V	.030	7	124	204
GS21-5-8	R370-SP06-01T-XXX-R27-L14	274K	281K	.018	6	105	117
Omega Engineering, Inc. Sockets							
Omega Engineering, Inc. Sockets Part Number	Andon Part Number Replace "XXX" w ith Terminal Type	Terminal Type		Pin Ø [in]	Pin Qty.	Page Number	Figure Number
		Thru-Hole	Surface Mount				
PX4600-015AV	R400-SP12-01T-XXX-R27-L14	01S	93S	.018	12	110	142
PX4600-015GV	R400-SP12-01T-XXX-R27-L14	01S	93S	.018	12	110	142
PX4600-020AV	R400-SP12-01T-XXX-R27-L14	01S	93S	.018	12	110	142
PX4600-020GV	R400-SP12-01T-XXX-R27-L14	01S	93S	.018	12	110	142
PX4600-050AV	R400-SP12-01T-XXX-R27-L14	01S	93S	.018	12	110	142
PX4600-050GV	R400-SP12-01T-XXX-R27-L14	01S	93S	.018	12	110	142
PX4600-100AV	R400-SP12-01T-XXX-R27-L14	01S	93S	.018	12	110	142
PX4600-100GV	R400-SP12-01T-XXX-R27-L14	01S	93S	.018	12	110	142
PX4600-200AV	R400-SP12-01T-XXX-R27-L14	01S	93S	.018	12	110	142
PX4600-200GV	R400-SP12-01T-XXX-R27-L14	01S	93S	.018	12	110	142
PX4600-300AV	R400-SP12-01T-XXX-R27-L14	01S	93S	.018	12	110	142
PX4600-300GV	R400-SP12-01T-XXX-R27-L14	01S	93S	.018	12	110	142
Ondax, Inc. Sockets							
Ondax, Inc. Sockets Part Number	Andon Part Number Replace "XXX" w ith Terminal Type	Terminal Type		Pin Ø [in]	Pin Qty.	Page Number	Figure Number
		Thru-Hole	Surface Mount				
TO-403-PLR9	R080-0403-01N-XXX-R27-L14	274K	281K	.018	3	86	9

Ondax, Inc. Sockets <i>Continued</i>							
Ondax, Inc. Sockets Part Number	Andon Part Number Replace "XXX" w ith Terminal Type	Terminal Type		Pin Ø [in]	Pin Qty.	Page Number	Figure Number
		Thru-Hole	Surface Mount				
TO-405-PLR9	R080-0403-01N-XXX-R27-L14	274K	281K	.018	3	86	9
TO-407-PLR9	R080-0403-01N-XXX-R27-L14	274K	281K	.018	3	86	9
TO-636-PLR09	R080-0403-01N-XXX-R27-L14	274K	281K	.018	3	86	9
TO-638-PLR09	R080-0403-01N-XXX-R27-L14	274K	281K	.018	3	86	9
TO-640-PLR09	R080-0403-01N-XXX-R27-L14	274K	281K	.018	3	86	9
TO-654-PLR35	R080-0403-01N-XXX-R27-L14	274K	281K	.018	3	86	9
TO-656-PLR35	R080-0403-01N-XXX-R27-L14	274K	281K	.018	3	86	9
TO-658-PLR35	R080-0403-01N-XXX-R27-L14	274K	281K	.018	3	86	9
TO-660-PLR35	R080-0403-01N-XXX-R27-L14	274K	281K	.018	3	86	9
TO662-PLR35	R080-0403-01N-XXX-R27-L14	275K	281K	.018	3	86	9
TO-683-PLR45	R080-0403-01N-XXX-R27-L14	274K	281K	.018	3	86	9
TO-685-PLR45	R080-0403-01N-XXX-R27-L14	274K	281K	.018	3	86	9
TO-780.25-PLR80	R080-0403-01N-XXX-R27-L14	274K	281K	.018	3	86	9
TO-781-PLR80	R080-0403-01N-XXX-R27-L14	274K	281K	.018	3	86	9
TO-783-PLR80	R080-0403-01N-XXX-R27-L14	274K	281K	.018	3	86	9
TO-785-PLR80	R080-0403-01N-XXX-R27-L14	274K	281K	.018	3	86	9
TO-787-PLR80	R080-0403-01N-XXX-R27-L14	274K	281K	.018	3	86	9
TO-808-PLR170	R080-0403-01N-XXX-R27-L14	274K	281K	.018	3	86	9

Opnext, Inc. Sockets							
Opnext, Inc. Sockets Part Number	Andon Part Number Replace "XXX" w ith Terminal Type	Terminal Type		Pin Ø [in]	Pin Qty.	Page Number	Figure Number
		Thru-Hole	Surface Mount				
HL6359MG	R080-0403-01N-XXX-R27-L14	274K	281K	.018	3	86	9
HL6360MG	R080-0403-01N-XXX-R27-L14	274K	281K	.018	3	86	9
HL6361MG	R080-0403-01N-XXX-R27-L14	274K	281K	.018	3	86	9
HL6362MG	R080-0403-01N-XXX-R27-L14	274K	281K	.018	3	86	9
HL6363MG	R080-0403-01N-XXX-R27-L14	274K	281K	.018	3	86	9
HL6364DG	R080-0403-01N-XXX-R27-L14	274K	281K	.018	3	86	9
HL6365DG	R080-0403-01N-XXX-R27-L14	274K	281K	.018	3	86	9
HL6366DG	R080-0403-01N-XXX-R27-L14	274K	281K	.018	3	86	9
HL6367DG	R080-0403-01N-XXX-R27-L14	274K	281K	.018	3	86	9
HL6378DG	R080-0403-01N-XXX-R27-L14	274K	281K	.018	3	86	9
HL6385DG	R080-0403-01N-XXX-R27-L14	274K	281K	.018	3	86	9
HL6501MG	R080-0403-01N-XXX-R27-L14	274K	281K	.018	3	86	9
HL6513FM	R080-0403-01N-XXX-R27-L14	274K	281K	.018	3	86	9
HL6525MG	R080-0403-01N-XXX-R27-L14	274K	281K	.018	3	86	9
HL6526FM	R080-0403-01N-XXX-R27-L14	274K	281K	.018	3	86	9
HL6545MG	R080-0403-01N-XXX-R27-L14	274K	281K	.018	3	86	9
HL6548FG	R100-0404-01N-XXX-R27-L14	75S	265S	.018	4	88	24
HL6548G	R100-0403-04N-XXX-R27-L14	75S	265S	.018	3	87	20
HL6553FG	R100-0403-04N-XXX-R27-L14	75S	265S	.018	3	87	20
HL6553FG	R100-0404-01N-XXX-R27-L14	75S	265S	.018	4	88	24
HL6554MG	R080-0403-01N-XXX-R27-L14	274K	281K	.018	3	86	9
HL6555G	R100-0403-04N-XXX-R27-L14	75S	265S	.018	3	87	20
HL6714G	R100-0403-04N-XXX-R27-L14	75S	265S	.018	3	87	20
HL6724MG	R080-0403-01N-XXX-R27-L14	274K	281K	.018	3	86	9
HL6738MG	R080-0403-01N-XXX-R27-L14	274K	281K	.018	3	86	9
HL6750MG	R080-0403-01N-XXX-R27-L14	274K	281K	.018	3	86	9
HL7001MG	R080-0403-01N-XXX-R27-L14	274K	281K	.018	3	86	9
HL7002	R080-0403-01N-XXX-R27-L14	274K	281K	.018	3	86	9
HL8325G	R100-0403-04N-XXX-R27-L14	75S	265S	.018	3	87	20
HL8333G	R100-0403-04N-XXX-R27-L14	75S	265S	.018	3	87	20
HL8334MG	R080-0403-01N-XXX-R27-L14	274K	281K	.018	3	86	9
HL8335MG	R080-0403-01N-XXX-R27-L14	274K	281K	.018	3	86	9
HL8337MG	R080-0403-01N-XXX-R27-L14	274K	281K	.018	3	86	9

Opnext, Inc. Sockets <i>Continued</i>							
Opnext, Inc. Sockets Part Number	Andon Part Number Replace "XXX" w ith Terminal Type	Terminal Type		Pin Ø [in]	Pin Qty.	Page Number	Figure Number
		Thru-Hole	Surface Mount				
HL8338MG	R080-0403-01N-XXX-R27-L14	274K	281K	.018	3	86	9
HL8340MG	R080-0403-01N-XXX-R27-L14	274K	281K	.018	3	86	9
HL8341MG	R080-0403-01N-XXX-R27-L14	274K	281K	.018	3	86	9
HL8342MG	R080-0403-01N-XXX-R27-L14	274K	281K	.018	3	86	9
HL8343MG	R080-0403-01N-XXX-R27-L14	274K	281K	.018	3	86	9
Optek Technology Sockets							
Optek Technology Sockets Part Number	Andon Part Number Replace "XXX" w ith Terminal Type	Terminal Type		Pin Ø [in]	Pin Qty.	Page Number	Figure Number
		Thru-Hole	Surface Mount				
3C91C	R100-0404-02T-XXX-R27-L14	75S	265S	.018	4	88	26
3C92C	R100-0404-02T-XXX-R27-L14	75S	265S	.018	4	88	26
3N243	R100-0404-02T-XXX-R27-L14	75S	265S	.018	4	88	26
3N244	R100-0404-02T-XXX-R27-L14	75S	265S	.018	4	88	26
3N245	R100-0404-02T-XXX-R27-L14	75S	265S	.018	4	88	26
3N261	R100-0404-02T-XXX-R27-L14	75S	265S	.018	4	88	26
3N262	R100-0404-02T-XXX-R27-L14	75S	265S	.018	4	88	26
3N263	R100-0404-02T-XXX-R27-L14	75S	265S	.018	4	88	26
4N22	R200-0806-04T-XXX-R27-L14	75S	265S	.018	6	95	65
4N22A	R200-0806-04T-XXX-R27-L14	75S	265S	.018	6	95	65
4N22ATX	R200-0806-04T-XXX-R27-L14	75S	265S	.018	6	95	65
4N22ATXV	R200-0806-04T-XXX-R27-L14	75S	265S	.018	6	95	65
4N22TX	R200-0806-04T-XXX-R27-L14	75S	265S	.018	6	95	65
4N22TXV	R200-0806-04T-XXX-R27-L14	75S	265S	.018	6	95	65
4N23	R200-0806-04T-XXX-R27-L14	75S	265S	.018	6	95	65
4N23A	R200-0806-04T-XXX-R27-L14	75S	265S	.018	6	95	65
4N23ATX	R200-0806-04T-XXX-R27-L14	75S	265S	.018	6	95	65
4N23ATXV	R200-0806-04T-XXX-R27-L14	75S	265S	.018	6	95	65
4N23TX	R200-0806-04T-XXX-R27-L14	75S	265S	.018	6	95	65
4N23TXV	R200-0806-04T-XXX-R27-L14	75S	265S	.018	6	95	65
4N24	R200-0806-04T-XXX-R27-L14	75S	265S	.018	6	95	65
4N24A	R200-0806-04T-XXX-R27-L14	75S	265S	.018	6	95	65
4N24TX	R200-0806-04T-XXX-R27-L14	75S	265S	.018	6	95	65
4N24ATX	R200-0806-04T-XXX-R27-L14	75S	265S	.018	6	95	65
4N24ATXV	R200-0806-04T-XXX-R27-L14	75S	265S	.018	6	95	65
4N24TXV	R200-0806-04T-XXX-R27-L14	75S	265S	.018	6	95	65
4N47	R200-0806-04T-XXX-R27-L14	75S	265S	.018	6	95	65
4N47A	R200-0806-04T-XXX-R27-L14	75S	265S	.018	6	95	65
4N47ATX	R200-0806-04T-XXX-R27-L14	75S	265S	.018	6	95	65
4N47ATXV	R200-0806-04T-XXX-R27-L14	75S	265S	.018	6	95	65
4N47TX	R200-0806-04T-XXX-R27-L14	75S	265S	.018	6	95	65
4N47TXV	R200-0806-04T-XXX-R27-L14	75S	265S	.018	6	95	65
4N48	R200-0806-04T-XXX-R27-L14	75S	265S	.018	6	95	65
4N48A	R200-0806-04T-XXX-R27-L14	75S	265S	.018	6	95	65
4N48ATX	R200-0806-04T-XXX-R27-L14	75S	265S	.018	6	95	65
4N48ATXV	R200-0806-04T-XXX-R27-L14	75S	265S	.018	6	95	65
4N48TX	R200-0806-04T-XXX-R27-L14	75S	265S	.018	6	95	65
4N48TXV	R200-0806-04T-XXX-R27-L14	75S	265S	.018	6	95	65
4N49	R200-0806-04T-XXX-R27-L14	75S	265S	.018	6	95	65
4N49A	R200-0806-04T-XXX-R27-L14	75S	265S	.018	6	95	65
4N49ATX	R200-0806-04T-XXX-R27-L14	75S	265S	.018	6	95	65
4N49ATXV	R200-0806-04T-XXX-R27-L14	75S	265S	.018	6	95	65
4N49TX	R200-0806-04T-XXX-R27-L14	75S	265S	.018	6	95	65
4N49TXV	R200-0806-04T-XXX-R27-L14	75S	265S	.018	6	95	65
OP130	R100-0402-06T-XXX-R27-L14	75S	265S	.018	2	87	17
OP130W	R100-0402-06T-XXX-R27-L14	75S	265S	.018	2	87	17

Optek Technology Sockets <i>Continued</i>							
Optek Technology Sockets Part Number	Andon Part Number Replace "XXX" w ith Terminal Type	Terminal Type		Pin Ø [in]	Pin Qty.	Page Number	Figure Number
		Thru-Hole	Surface Mount				
OP131	R100-0402-06T-XXX-R27-L14	75S	265S	.018	2	87	17
OP131W	R100-0402-06T-XXX-R27-L14	75S	265S	.018	2	87	17
OP132	R100-0402-06T-XXX-R27-L14	75S	265S	.018	2	87	17
OP132W	R100-0402-06T-XXX-R27-L14	75S	265S	.018	2	87	17
OP133	R100-0402-06T-XXX-R27-L14	75S	265S	.018	2	87	17
OP133W	R100-0402-06T-XXX-R27-L14	75S	265S	.018	2	87	17
OP165A	R050-0402-01T-XXX-G10-L14	C2	N/A	.018	2	85	1
OP165B	R050-0402-01T-XXX-G10-L14	C2	N/A	.018	2	85	1
OP165C	R050-0402-01T-XXX-G10-L14	C2	N/A	.018	2	85	1
OP165D	R050-0402-01T-XXX-G10-L14	C2	N/A	.018	2	85	1
OP165W	R050-0402-01T-XXX-G10-L14	C2	N/A	.018	2	85	1
OP166A	R100-0402-06T-XXX-R27-L14	75S	265S	.018	2	87	17
OP166B	R100-0402-06T-XXX-R27-L14	75S	265S	.018	2	87	17
OP166C	R100-0402-06T-XXX-R27-L14	75S	265S	.018	2	87	17
OP166D	R100-0402-06T-XXX-R27-L14	75S	265S	.018	2	87	17
OP166W	R100-0402-06T-XXX-R27-L14	75S	265S	.018	2	87	17
OP190W	R100-0402-06T-XXX-R27-L14	75S	265S	.018	2	87	17
OP230WPS	R100-0402-06T-XXX-R27-L14	75S	265S	.018	2	87	17
OP231	R100-0402-06T-XXX-R27-L14	75S	265S	.018	2	87	17
OP232	R100-0402-06T-XXX-R27-L14	75S	265S	.018	2	87	17
OP233	R100-0402-06T-XXX-R27-L14	75S	265S	.018	2	87	17
OP234	R100-0402-06T-XXX-R27-L14	75S	265S	.018	2	87	17
OP235	R100-0402-06T-XXX-R27-L14	75S	265S	.018	2	87	17
OP231W	R100-0402-06T-XXX-R27-L14	75S	265S	.018	2	87	17
OP232W	R100-0402-06T-XXX-R27-L14	75S	265S	.018	2	87	17
OP233W	R100-0402-06T-XXX-R27-L14	75S	265S	.018	2	87	17
OP234W	R100-0402-06T-XXX-R27-L14	75S	265S	.018	2	87	17
OP235	R100-0402-06T-XXX-R27-L14	75S	265S	.018	2	87	17
OP235W	R100-0402-06T-XXX-R27-L14	75S	265S	.018	2	87	17
OP236	R100-0402-06T-XXX-R27-L14	75S	265S	.018	2	87	17
OP265A	R050-0402-01T-XXX-G10-L14	C2	N/A	.018	2	85	1
OP265B	R050-0402-01T-XXX-G10-L14	C2	N/A	.018	2	85	1
OP265C	R050-0402-01T-XXX-G10-L14	C2	N/A	.018	2	85	1
OP265D	R050-0402-01T-XXX-G10-L14	C2	N/A	.018	2	85	1
OP265W	R050-0402-01T-XXX-G10-L14	C2	N/A	.018	2	85	1
OP266A	R100-0402-06T-XXX-R27-L14	75S	265S	.018	2	87	17
OP266B	R100-0402-06T-XXX-R27-L14	75S	265S	.018	2	87	17
OP266C	R100-0402-06T-XXX-R27-L14	75S	265S	.018	2	87	17
OP266D Series	R100-0402-06T-XXX-R27-L14	75S	265S	.018	2	87	17
OP266W	R100-0402-06T-XXX-R27-L14	75S	265S	.018	2	87	17
OP290	R100-0402-06T-XXX-R27-L14	75S	265S	.018	2	87	17
OP291	R100-0402-06T-XXX-R27-L14	75S	265S	.018	2	87	17
OP292	R100-0402-06T-XXX-R27-L14	75S	265S	.018	2	87	17
OP293	R100-0402-06T-XXX-R27-L14	75S	265S	.018	2	87	17
OP294	R100-0402-06T-XXX-R27-L14	75S	265S	.018	2	87	17
OP295	R100-0402-06T-XXX-R27-L14	75S	265S	.018	2	87	17
OP296	R100-0402-06T-XXX-R27-L14	75S	265S	.018	2	87	17
OP297	R100-0402-06T-XXX-R27-L14	75S	265S	.018	2	87	17
OP299	R100-0402-06T-XXX-R27-L14	75S	265S	.018	2	87	17
OP505A	R050-0402-01T-XXX-G10-L14	C2	N/A	.018	2	85	1
OP505B	R050-0402-01T-XXX-G10-L14	C2	N/A	.018	2	85	1
OP505C	R050-0402-01T-XXX-G10-L14	C2	N/A	.018	2	85	1
OP505D	R050-0402-01T-XXX-G10-L14	C2	N/A	.018	2	85	1
OP505W	R050-0402-01T-XXX-G10-L14	C2	N/A	.018	2	85	1
OP506A	R100-0402-06T-XXX-R27-L14	75S	265S	.018	2	87	17

Optek Technology Sockets <i>Continued</i>							
Optek Technology Sockets Part Number	Andon Part Number Replace "XXX" w ith Terminal Type	Terminal Type		Pin Ø [in]	Pin Qty.	Page Number	Figure Number
		Thru-Hole	Surface Mount				
OP506B	R100-0402-06T-XXX-R27-L14	75S	265S	.018	2	87	17
OP506C	R100-0402-06T-XXX-R27-L14	75S	265S	.018	2	87	17
OP506D	R100-0402-06T-XXX-R27-L14	75S	265S	.018	2	87	17
OP506W	R050-0402-01T-XXX-G10-L14	C2	N/A	.018	2	85	1
OP535A	R050-0402-01T-XXX-G10-L14	C2	N/A	.018	2	85	1
OP535B	R050-0402-01T-XXX-G10-L14	C2	N/A	.018	2	85	1
OP535C	R050-0402-01T-XXX-G10-L14	C2	N/A	.018	2	85	1
OP593	R100-0402-06T-XXX-R27-L14	75S	265S	.018	2	87	17
OP598 Series	R100-0402-06T-XXX-R27-L14	75S	265S	.018	2	87	17
OP599	R100-0402-06T-XXX-R27-L14	75S	265S	.018	2	87	17
OP705A	R050-0402-01T-XXX-G10-L14	C2	N/A	.018	2	85	1
OP705B	R050-0402-01T-XXX-G10-L14	C2	N/A	.018	2	85	1
OP705C	R050-0402-01T-XXX-G10-L14	C2	N/A	.018	2	85	1
OP705D	R050-0402-01T-XXX-G10-L14	C2	N/A	.018	2	85	1
OP793	R100-0402-06T-XXX-R27-L14	75S	265S	.018	2	87	17
OP798 Series	R100-0402-06T-XXX-R27-L14	75S	265S	.018	2	87	17
OP800A	R100-0403-06T-XXX-R27-L14	75S	265S	.018	3	87	21
OP800B	R100-0403-06T-XXX-R27-L14	75S	265S	.018	3	87	21
OP800C	R100-0403-06T-XXX-R27-L14	75S	265S	.018	3	87	21
OP800D	R100-0403-06T-XXX-R27-L14	75S	265S	.018	3	87	21
OP800SL	R100-0403-06T-XXX-R27-L14	75S	265S	.018	3	87	21
OP801SL	R100-0403-06T-XXX-R27-L14	75S	265S	.018	3	87	21
OP802SL	R100-0403-06T-XXX-R27-L14	75S	265S	.018	3	87	21
OP803SL	R100-0403-06T-XXX-R27-L14	75S	265S	.018	3	87	21
OP803TX	R100-0403-06T-XXX-R27-L14	75S	265S	.018	3	87	21
OP803TXV	R100-0403-06T-XXX-R27-L14	75S	265S	.018	3	87	21
OP804SL	R100-0403-06T-XXX-R27-L14	75S	265S	.018	3	87	21
OP804TX	R100-0403-06T-XXX-R27-L14	75S	265S	.018	3	87	21
OP804TXV	R100-0403-06T-XXX-R27-L14	75S	265S	.018	3	87	21
OP805SL	R100-0403-06T-XXX-R27-L14	75S	265S	.018	3	87	21
OP805TX	R100-0403-06T-XXX-R27-L14	75S	265S	.018	3	87	21
OP805TXV	R100-0403-06T-XXX-R27-L14	75S	265S	.018	3	87	21
OP910	R100-0402-06T-XXX-R27-L14	75S	265S	.018	2	87	17
OP913SL	R200-0402-02T-XXX-R27-L14	01S	93S	.018	2	92	49
OP913WSL	R200-0402-02T-XXX-R27-L14	01S	93S	.018	2	92	49
OP993W	R100-0402-06T-XXX-R27-L14	75S	265S	.018	2	87	17
OP999	R100-0402-06T-XXX-R27-L14	75S	265S	.018	2	87	17
OPB710	R100-0404-02T-XXX-R27-L14	75S	265S	.018	4	88	26
OPB710F	R100-0404-02T-XXX-R27-L14	75S	265S	.018	4	88	26
OPB730	R100-0404-02T-XXX-R27-L14	75S	265S	.018	4	88	26
OPB730F	R100-0404-02T-XXX-R27-L14	75S	265S	.018	4	88	26
OPF320A	R100-0403-06T-XXX-R27-L14	75S	265S	.018	3	87	21
OPF320B	R100-0403-06T-XXX-R27-L14	75S	265S	.018	3	87	21
OPF320C	R100-0403-06T-XXX-R27-L14	75S	265S	.018	3	87	21
OPF340A	R100-0403-06T-XXX-R27-L14	75S	265S	.018	3	87	21
OPF340B	R100-0403-06T-XXX-R27-L14	75S	265S	.018	3	87	21
OPF340C	R100-0403-06T-XXX-R27-L14	75S	265S	.018	3	87	21
OPF340D	R100-0403-06T-XXX-R27-L14	75S	265S	.018	3	87	21
OPF345A	R100-0403-06T-XXX-R27-L14	75S	265S	.018	3	87	21
OPF345B	R100-0403-06T-XXX-R27-L14	75S	265S	.018	3	87	21
OPF345C	R100-0403-06T-XXX-R27-L14	75S	265S	.018	3	87	21
OPF345D	R100-0403-06T-XXX-R27-L14	75S	265S	.018	3	87	21
OPF370A	R100-0403-06T-XXX-R27-L14	75S	265S	.018	3	87	21
OPF370B	R100-0403-06T-XXX-R27-L14	75S	265S	.018	3	87	21
OPF370C	R100-0403-06T-XXX-R27-L14	75S	265S	.018	3	87	21

Optek Technology Sockets <i>Continued</i>							
Optek Technology Sockets Part Number	Andon Part Number Replace "XXX" w ith Terminal Type	Terminal Type		Pin Ø [in]	Pin Qty.	Page Number	Figure Number
		Thru-Hole	Surface Mount				
OPF370D	R100-0403-06T-XXX-R27-L14	75S	265S	.018	3	87	21
OPF390A	R100-0403-06T-XXX-R27-L14	75S	265S	.018	3	87	21
OPF390B	R100-0403-06T-XXX-R27-L14	75S	265S	.018	3	87	21
OPF390C	R100-0403-06T-XXX-R27-L14	75S	265S	.018	3	87	21
OPF390D	R100-0403-06T-XXX-R27-L14	75S	265S	.018	3	87	21
OPF395A	R100-0403-06T-XXX-R27-L14	75S	265S	.018	3	87	21
OPF395B	R100-0403-06T-XXX-R27-L14	75S	265S	.018	3	87	21
OPF395C	R100-0403-06T-XXX-R27-L14	75S	265S	.018	3	87	21
OPF395D	R100-0403-06T-XXX-R27-L14	75S	265S	.018	3	87	21
OPF420	R100-0403-06T-XXX-R27-L14	75S	265S	.018	3	87	21
OPF430	R100-0403-06T-XXX-R27-L14	75S	265S	.018	3	87	21
OPF470	R100-0403-06T-XXX-R27-L14	75S	265S	.018	3	87	21
OPF480	R100-0403-06T-XXX-R27-L14	75S	265S	.018	3	87	21
OPL800	R100-0403-06T-XXX-R27-L14	75S	265S	.018	3	87	21
OPL801 Series	R100-0403-06T-XXX-R27-L14	75S	265S	.018	3	87	21
OPL810	R100-0403-06T-XXX-R27-L14	75S	265S	.018	3	87	21
OPL811	R100-0403-06T-XXX-R27-L14	75S	265S	.018	3	87	21
OPL812	R100-0403-06T-XXX-R27-L14	75S	265S	.018	3	87	21
OPL813 Series	R100-0403-06T-XXX-R27-L14	75S	265S	.018	3	87	21
OPL820	R100-0403-06T-XXX-R27-L14	75S	265S	.018	3	87	21
OPL821 Series	R100-0403-06T-XXX-R27-L14	75S	265S	.018	3	87	21
OPL830SL	R100-0403-06T-XXX-R27-L14	75S	265S	.018	3	87	21
OPV300	R100-0403-06T-XXX-R27-L14	75S	265S	.018	3	87	21
OPV302	R100-0403-06T-XXX-R27-L14	75S	265S	.018	3	87	21
OPV310	R100-0403-06T-XXX-R27-L14	75S	265S	.018	3	87	21
OPV310Y	R100-0403-06T-XXX-R27-L14	75S	265S	.018	3	87	21
OPV314	R100-0403-06T-XXX-R27-L14	75S	265S	.018	3	87	21
OPV314Y	R100-0403-06T-XXX-R27-L14	75S	265S	.018	3	87	21
OPV330	R050-0402-01T-XXX-G10-L14	C2	N/A	.018	2	85	1
OPV332	R050-0402-01T-XXX-G10-L14	C2	N/A	.018	2	85	1

Opto Diode Corporation Sockets							
Opto Diode Corporation Sockets Part Number	Andon Part Number Replace "XXX" w ith Terminal Type	Terminal Type		Pin Ø [in]	Pin Qty.	Page Number	Figure Number
		Thru-Hole	Surface Mount				
OD-100	R200-0403-02T-XXX-R27-L14	01S	93S	.018	3	93	54
OD-148W	R100-0402-01T-XXX-R27-L14	75S	265S	.018	2	86	12
OD-24F	R100-0402-01T-XXX-R27-L14	75S	265S	.018	2	86	12
OD-470	R200-0403-02T-XXX-R27-L14	01S	93S	.018	3	93	54
OD-470L	R200-0403-02T-XXX-R27-L14	01S	93S	.018	3	93	54
OD-50L	R200-0403-02T-XXX-R27-L14	01S	93S	.018	3	93	54
OD-50W	R200-0403-02T-XXX-R27-L14	01S	93S	.018	3	93	54
OD-520	R200-0403-02T-XXX-R27-L14	01S	93S	.018	3	93	54
OD-520L	R200-0403-02T-XXX-R27-L14	01S	93S	.018	3	93	54
OD-620	R200-0403-02T-XXX-R27-L14	01S	93S	.018	3	93	54
OD-620L	R200-0403-02T-XXX-R27-L14	01S	93S	.018	3	93	54
OD-663	F325-0402-01-XXX-R27-L14	295V	439V	.030	2	123	198
OD-666	F325-0402-01-XXX-R27-L14	295V	439V	.030	2	123	198
OD-669	F325-0402-01-XXX-R27-L14	295V	439V	.030	2	123	198
OD-6FS	R100-0402-01T-XXX-R27-L14	75S	265S	.018	2	86	12
OD-780W	R100-0402-01T-XXX-R27-L14	75S	265S	.018	2	86	12
OD-870F	R100-0402-01T-XXX-R27-L14	75S	265S	.018	2	86	12
OD-870L	R100-0402-01T-XXX-R27-L14	75S	265S	.018	2	86	12
OD-870W	R100-0402-01T-XXX-R27-L14	75S	265S	.018	2	86	12
OD-880	R100-0402-01T-XXX-R27-L14	75S	265S	.018	2	86	12
OD-880E	R100-0402-01T-XXX-R27-L14	75S	265S	.018	2	86	12

Opto Diode Corporation Sockets <i>Continued</i>							
Opto Diode Corporation Sockets Part Number	Andon Part Number Replace "XXX" w ith Terminal Type	Terminal Type		Pin Ø [in]	Pin Qty.	Page Number	Figure Number
		Thru-Hole	Surface Mount				
OD-880F	R100-0402-01T-XXX-R27-L14	75S	265S	.018	2	86	12
OD-880F1	R100-0402-01T-XXX-R27-L14	75S	265S	.018	2	86	12
OD-880FHT	R100-0402-01T-XXX-R27-L14	75S	265S	.018	2	86	12
OD-880L	R100-0402-01T-XXX-R27-L14	75S	265S	.018	2	86	12
OD-880LHT	R100-0402-01T-XXX-R27-L14	75S	265S	.018	2	86	12
OD-880W	R100-0402-01T-XXX-R27-L14	75S	265S	.018	2	86	12
OD-880WHT	R100-0402-01T-XXX-R27-L14	75S	265S	.018	2	86	12
ODD-1	R100-0402-01T-XXX-R27-L14	75S	265S	.018	2	86	12
ODD-12W	R295-0403-01T-XXX-R27-L14	01S	93S	.018	3	102	102
ODD-15W	R200-0403-02T-XXX-R27-L14	01S	93S	.018	3	93	54
ODD-42W	R295-0403-01T-XXX-R27-L14	01S	93S	.018	3	102	102
ODD-45W	R100-0403-01T-XXX-R27-L14	75S	265S	.018	3	87	18
ODD-45WISOL	R100-0403-01T-XXX-R27-L14	75S	265S	.018	3	87	18
ODD-5W	R200-0403-02T-XXX-R27-L14	01S	93S	.018	3	93	54
ODD-5WISOL	R200-0403-02T-XXX-R27-L14	01S	93S	.018	3	93	54
ODD-95W	R200-0403-02T-XXX-R27-L14	01S	93S	.018	3	93	54
ODD-95WISOL	R200-0403-02T-XXX-R27-L14	01S	93S	.018	3	93	54

Opto Technology Sockets							
Opto Technology Sockets Part Number	Andon Part Number Replace "XXX" w ith Terminal Type	Terminal Type		Pin Ø [in]	Pin Qty.	Page Number	Figure Number
		Thru-Hole	Surface Mount				
OTLH-0010-BU	F325-0402-03-XXX-R27-L14	295V	439V	.030	2	123	199
OTLH-0020-GN	F325-0402-03-XXX-R27-L14	295V	439V	.030	2	123	199
OTLH-0040-RD	F325-0402-03-XXX-R27-L14	295V	439V	.030	2	123	199
OTLH-0070-IR	F325-0402-03-XXX-R27-L14	295V	439V	.030	2	123	199
OTLH-0090-BU	F325-0402-03-XXX-R27-L14	295V	439V	.030	2	123	199
OTLH-0100-GN	F325-0402-03-XXX-R27-L14	295V	439V	.030	2	123	199
OTLH-0280-UV	F325-0402-03-XXX-R27-L14	295V	439V	.030	2	123	199
OTLH-0360-UV	F325-0402-03-XXX-R27-L14	295V	439V	.030	2	123	199

Optowell CO., Ltd. Sockets							
Optowell CO., Ltd. Sockets Part Number	Andon Part Number Replace "XXX" w ith Terminal Type	Terminal Type		Pin Ø [in]	Pin Qty.	Page Number	Figure Number
		Thru-Hole	Surface Mount				
G85-FCP0S	R100-SP03-02T-XXX-R27-L14	274K	281K	.018	3	89	32
GP85-FCT0N	R100-0403-06T-XXX-R27-L14	75S	265S	.018	3	87	21
GS85-SCP0S	R100-SP03-02T-XXX-R27-L14	274K	281K	.018	3	89	32
GP85-FCT0N	R100-0403-06T-XXX-R27-L14	75S	265S	.018	3	87	21
GP85-SCT0N	R100-0403-06T-XXX-R27-L14	75S	265S	.018	3	87	21
GS85-FCP1S-KC	R100-0403-06T-XXX-R27-L14	75S	265S	.018	3	87	21
GS85-FCP0S	R100-SP03-02T-XXX-R27-L14	274K	281K	.018	3	89	32
PH85-B1P0U4	R100-0403-06T-XXX-R27-L14	75S	265S	.018	3	87	21
PH85-B1P0S2	R100-SP03-02T-XXX-R27-L14	274K	281K	.018	3	89	32
PH85-B1P1N-KC	R100-0403-06T-XXX-R27-L14	75S	265S	.018	3	87	21
PH85-B1P1S2-AC	R100-0403-06T-XXX-R27-L14	75S	265S	.018	3	87	21
PH85-B1P1S2-KC	R100-0403-06T-XXX-R27-L14	75S	265S	.018	3	87	21
PH85-D1P0S2	R100-0402-06T-XXX-R27-L14	75S	265S	.018	2	87	17
PH85-D2P0U4	R100-0403-06T-XXX-R27-L14	75S	265S	.018	3	87	21
PH85-F1P0S2	R100-SP03-02T-XXX-R27-L14	274K	281K	.018	3	89	32
PH85-F1P0U4	R100-0403-06T-XXX-R27-L14	75S	265S	.018	3	87	21
PH85-F1P1S2-AC	R100-0403-06T-XXX-R27-L14	75S	265S	.018	3	87	21
PH85-F1P1S2-KC	R100-0403-06T-XXX-R27-L14	75S	265S	.018	3	87	21
PHM85-D1P0S2	R100-0402-06T-XXX-R27-L14	75S	265S	.018	2	87	17
PM67-D1P0U	R100-0402-06T-XXX-R27-L14	75S	265S	.018	2	87	17
PM67-F1P0N	R100-0403-06T-XXX-R27-L14	75S	265S	.018	3	87	21

Optowell CO., Ltd. Sockets <i>Continued</i>							
Optowell CO., Ltd. Sockets Part Number	Andon Part Number Replace "XXX" w ith Terminal Type	Terminal Type		Pin Ø [in]	Pin Qty.	Page Number	Figure Number
		Thru-Hole	Surface Mount				
PM67-F1P1N	R100-0403-06T-XXX-R27-L14	75S	265S	.018	3	87	21
PM78-B1P0N	R100-SP03-02T-XXX-R27-L14	274K	281K	.018	3	89	32
PM78-F1P0N	R100-0403-06T-XXX-R27-L14	75S	265S	.018	3	87	21
PM85-B1P0S2	R100-SP03-02T-XXX-R27-L14	274K	281K	.018	3	89	32
PM85-B1P1N-AC	R100-0403-06T-XXX-R27-L14	75S	265S	.018	3	87	21
PM85-B1P1N-KC	R100-0403-06T-XXX-R27-L14	75S	265S	.018	3	87	21
PM85-D1P0U	R100-0402-06T-XXX-R27-L14	75S	265S	.018	2	87	17
PM85-F1P0N	R100-0403-06T-XXX-R27-L14	75S	265S	.018	3	87	21
PM85-F1P1N-AC	R100-0403-06T-XXX-R27-L14	75S	265S	.018	3	87	21
PM85-F1P1N-KC	R100-0403-06T-XXX-R27-L14	75S	265S	.018	3	87	21
PM98-B1P0N	R100-SP03-02T-XXX-R27-L14	274K	281K	.018	3	89	32
PM98-F1P0N	R100-SP03-02T-XXX-R27-L14	274K	281K	.018	3	89	32
PP85-B1T0N	R100-0403-06T-XXX-R27-L14	75S	265S	.018	3	87	21
PP85-B1T1N	R100-0404-02T-XXX-R27-L14	75S	265S	.018	4	88	26
PP85-B1T1F	R100-SP05-01T-XXX-G10-L14	C2	N/A	.018	5	89	33
PP85-B1T1S	R100-0404-02T-XXX-R27-L14	75S	265S	.018	4	88	26
PP85-F1T1N	R100-0404-02T-XXX-R27-L14	75S	265S	.018	4	88	26
PP85-F1T1S	R100-0404-02T-XXX-R27-L14	75S	265S	.018	4	88	26
PR65-F1P0T	R100-0402-06T-XXX-R27-L14	75S	265S	.018	2	87	17
PR65-P1F0T	R100-0402-06T-XXX-R27-L14	75S	265S	.018	2	87	17
RP85-LCT0N	R100-0403-06T-XXX-R27-L14	75S	265S	.018	3	87	21
RP85-LCT1F	R100-SP05-01T-XXX-G10-L14	C2	N/A	.018	5	89	33
RP85-LCT1N	R100-0404-02T-XXX-R27-L14	75S	265S	.018	4	88	26
RP85-LCT1S	R100-0404-02T-XXX-R27-L14	75S	265S	.018	4	88	26
RP85-LCT2N-I	R100-SP05-01T-XXX-G10-L14	C2	N/A	.018	5	89	33
RP85-LCT2S-V	R100-SP05-01T-XXX-G10-L14	C2	N/A	.018	5	89	33
RP85-LCT3S-I	R100-0404-02T-XXX-R27-L14	75S	265S	.018	4	88	26
TP85-LCP0N	R100-SP03-02T-XXX-R27-L14	274K	281K	.018	3	89	32
TP85-LCP0S2	R100-SP03-02T-XXX-R27-L14	274K	281K	.018	3	89	32
TP85-LCP1F-AC	R100-0404-02T-XXX-R27-L14	75S	265S	.018	4	88	26
TP85-LCP1F-KC	R100-0404-02T-XXX-R27-L14	75S	265S	.018	4	88	26
TP85-LCP1N-AC	R100-0403-06T-XXX-R27-L14	75S	265S	.018	3	87	21
TP85-LCP1N-KC	R100-0403-06T-XXX-R27-L14	75S	265S	.018	3	87	21
TP85-LCP1S-AC	R100-0403-06T-XXX-R27-L14	75S	265S	.018	3	87	21
TP85-LCP1S-KC	R100-0403-06T-XXX-R27-L14	75S	265S	.018	3	87	21
XM85-R5P0U-4U	R100-0402-06T-XXX-R27-L14	75S	265S	.018	2	87	17
XS85-R5P0U-5U	R100-0402-06T-XXX-R27-L14	75S	265S	.018	2	87	17

OSI Optoelectronics Sockets							
OSI Optoelectronics Sockets Part Number	Andon Part Number Replace "XXX" w ith Terminal Type	Terminal Type		Pin Ø [in]	Pin Qty.	Page Number	Figure Number
		Thru-Hole	Surface Mount				
APD-900	R200-0403-03T-XXX-R27-L14	01S	93S	.018	3	93	56
APD-1500	R200-0403-03T-XXX-R27-L14	01S	93S	.018	3	93	56
APD-3000	R200-0403-03T-XXX-R27-L14	01S	93S	.018	3	93	56
BPX-65	R100-0402-06T-XXX-R27-L14	75S	265S	.018	2	87	17
CD-25T	R200-0403-03T-XXX-R27-L14	01S	93S	.018	3	93	56
DL-2	R400-0804-01T-XXX-R27-L14	01S	93S	.018	4	109	135
DL-4	R400-0804-01T-XXX-R27-L14	01S	93S	.018	4	109	135
DLS-2	R400-0804-01T-XXX-R27-L14	01S	93S	.018	4	109	135
DLS-2S	R200-0805-02T-XXX-R27-L14	75S	265S	.018	5	94	61
DLS-4	R400-0804-01T-XXX-R27-L14	01S	93S	.018	4	109	135
FCI-020A	R100-0403-06T-XXX-R27-L14	75S	265S	.018	3	87	21
FCI-040A	R100-0403-06T-XXX-R27-L14	75S	265S	.018	3	87	21
FCI-125G-010HR	R100-0403-06T-XXX-R27-L14	75S	265S	.018	3	87	21
FCI-125G-012HR	R100-0403-06T-XXX-R27-L14	75S	265S	.018	3	87	21

OSI Optoelectronics Sockets <i>Continued</i>							
OSI Optoelectronics Sockets Part Number	Andon Part Number Replace "XXX" w ith Terminal Type	Terminal Type		Pin Ø [in]	Pin Qty.	Page Number	Figure Number
		Thru-Hole	Surface Mount				
FCI-125G-06HR	R100-0403-06T-XXX-R27-L14	75S	265S	.018	3	87	21
FCI-H125G-010	R100-0403-06T-XXX-R27-L14	75S	265S	.018	3	87	21
FCI-H125G-016HR	R100-0403-06T-XXX-R27-L14	75S	265S	.018	3	87	21
FCI-H125G-GaAs-100	R100-0403-06T-XXX-R27-L14	75S	265S	.018	3	87	21
FCI-H155M-InGaAs-70	R100-0403-06T-XXX-R27-L14	75S	265S	.018	3	87	21
FCI-H250G-GaAs-100	R100-0403-06T-XXX-R27-L14	75S	265S	.018	3	87	21
FCI-H622M-InGaAs-70	R100-0403-06T-XXX-R27-L14	75S	265S	.018	3	87	21
FCI-HR005	R100-0403-06T-XXX-R27-L14	75S	265S	.018	3	87	21
FCI-HR008	R100-0403-06T-XXX-R27-L14	75S	265S	.018	3	87	21
FCI-HR020	R100-0403-06T-XXX-R27-L14	75S	265S	.018	3	87	21
FCI-HR026	R100-0403-06T-XXX-R27-L14	75S	265S	.018	3	87	21
FCI-HR040	R100-0403-06T-XXX-R27-L14	75S	265S	.018	3	87	21
FCI-InGaAs-1000-T046	R100-0403-06T-XXX-R27-L14	75S	265S	.018	3	87	21
FCI-InGaAs-1000-T05	R200-0403-03T-XXX-R27-L14	01S	93S	.018	3	93	56
FCI-InGaAs-120	R100-0403-06T-XXX-R27-L14	75S	265S	.018	3	87	21
FCI-InGaAs-1500-T046	R100-0403-06T-XXX-R27-L14	75S	265S	.018	3	87	21
FCI-InGaAs-1500-T05	R200-0403-03T-XXX-R27-L14	01S	93S	.018	3	93	56
FCI-InGaAs-300	R100-0403-06T-XXX-R27-L14	75S	265S	.018	3	87	21
FCI-InGaAs-3000-T046	R100-0403-06T-XXX-R27-L14	75S	265S	.018	3	87	21
FCI-InGaAs-3000-T05	R200-0403-03T-XXX-R27-L14	01S	93S	.018	3	93	56
FCI-InGaAs-400	R100-0403-06T-XXX-R27-L14	75S	265S	.018	3	87	21
FCI-InGaAs-500	R100-0403-06T-XXX-R27-L14	75S	265S	.018	3	87	21
FCI-InGaAs-55	R100-0403-06T-XXX-R27-L14	75S	265S	.018	3	87	21
FCI-InGaAs-70	R100-0403-06T-XXX-R27-L14	75S	265S	.018	3	87	21
FIL-5C	R300-SP06-01N-XXX-R27-L14	01S	93S	.018	6	104	111
FIL-20C	R300-SP06-01N-XXX-R27-L14	01S	93S	.018	6	104	111
FIL-C4DG	R300-SP06-01N-XXX-R27-L14	01S	93S	.018	6	104	111
FIL-UV20	R300-SP06-01N-XXX-R27-L14	01S	93S	.018	6	104	111
OSD1-0	R100-0402-06T-XXX-R27-L14	75S	265S	.018	2	87	17
OSD1-5T	R100-0402-06T-XXX-R27-L14	75S	265S	.018	2	87	17
OSD1.2-7Q	R100-0402-06T-XXX-R27-L14	75S	265S	.018	2	87	17
OSD1.2-7U	R100-0402-06T-XXX-R27-L14	75S	265S	.018	2	87	17
OSD3-5T	R100-0402-06T-XXX-R27-L14	75S	265S	.018	2	87	17
OSD-5-0	R200-0402-02T-XXX-R27-L14	01S	93S	.018	2	92	49
OSD5-5T	R200-0402-02T-XXX-R27-L14	01S	93S	.018	2	92	49
OSD5.8-7Q	R200-0402-02T-XXX-R27-L14	01S	93S	.018	2	92	49
OSD5.8-7U	R200-0402-02T-XXX-R27-L14	01S	93S	.018	2	92	49
OSD15-0	R200-0402-02T-XXX-R27-L14	01S	93S	.018	2	92	49
OSD15-5T	R200-0402-02T-XXX-R27-L14	01S	93S	.018	2	92	49
OSD35-0	R300-0803-02T-XXX-R27-L14	01S	93S	.018	3	103	104
OSD35-7Q	R300-0803-02T-XXX-R27-L14	01S	93S	.018	3	103	104
OSD-60-0	R400-0803-01T-XXX-R27-L14	01S	93S	.018	3	109	133
PIN-005D-245F	R215-0402-01T-XXX-R27-L14	01S	93S	.018	2	98	80
PIN-005E-550F	R200-0402-02T-XXX-R27-L14	01S	93S	.018	2	92	49
PIN-3CD	R100-0402-06T-XXX-R27-L14	75S	265S	.018	2	87	17
PIN-3CDP	R100-0402-06T-XXX-R27-L14	75S	265S	.018	2	87	17
PIN-5D	R200-0402-02T-XXX-R27-L14	01S	93S	.018	2	92	49
PIN-5DI	R200-0403-03T-XXX-R27-L14	01S	93S	.018	3	93	56
PIN-5DP	R200-0402-02T-XXX-R27-L14	01S	93S	.018	2	92	49
PIN-5DP/6B	R200-0402-02T-XXX-R27-L14	01S	93S	.018	2	92	49
PIN-5DP/6B	R200-0402-02T-XXX-R27-L14	01S	93S	.018	2	92	49
PIN-5DP/6B	R200-0402-02T-XXX-R27-L14	01S	93S	.018	2	92	49
PIN-5-DYAG	R200-0403-03T-XXX-R27-L14	01S	93S	.018	3	93	56
PIN-5-YAG	R200-0403-03T-XXX-R27-L14	01S	93S	.018	3	93	56
PIN-6D	R295-0402-01T-XXX-R27-L14	01S	93S	.018	2	102	100
PIN-6DI	R300-0803-02T-XXX-R27-L14	01S	93S	.018	3	103	104
PIN-6DPI	R300-0803-02T-XXX-R27-L14	01S	93S	.018	3	103	104

OSI Optoelectronics Sockets <i>Continued</i>							
OSI Optoelectronics Sockets Part Number	Andon Part Number Replace "XXX" w ith Terminal Type	Terminal Type		Pin Ø [in]	Pin Qty.	Page Number	Figure Number
		Thru-Hole	Surface Mount				
PIN-6DP	R295-0402-01T-XXX-R27-L14	01S	93S	.018	2	102	100
PIN-10DI	R730-0803-01T-XXX-R27-L14	01S	93S	.018	3	118	179
PIN-10DPI	R730-0803-01T-XXX-R27-L14	01S	93S	.018	3	118	179
PIN-10DPI/SB	R730-0803-01T-XXX-R27-L14	01S	93S	.018	3	118	179
PIN-13D	R200-0402-02T-XXX-R27-L14	01S	93S	.018	2	92	49
PIN-13DI	R200-0403-03T-XXX-R27-L14	01S	93S	.018	3	93	56
PIN-13DP	R200-0402-02T-XXX-R27-L14	01S	93S	.018	2	92	49
PIN-13DPI	R200-0403-03T-XXX-R27-L14	01S	93S	.018	3	93	56
PIN-44D	R295-0402-01T-XXX-R27-L14	01S	93S	.018	2	102	100
PIN-44DI	R300-0803-02T-XXX-R27-L14	01S	93S	.018	3	103	104
PIN-44DPI	R300-0803-02T-XXX-R27-L14	01S	93S	.018	3	103	104
PIN-44DP	R295-0402-01T-XXX-R27-L14	01S	93S	.018	2	102	100
PIN-100-YAG	R750-1806-01T-XXX-R27-L14	01S	93S	.018	6	119	184
PIN-125DPL	R100-0402-06T-XXX-R27-L14	75S	265S	.018	2	87	17
PIN-DSIn	R220-0404-01T-XXX-R27-L14	01S	93S	.018	4	98	81
PIN-DSIn-TEC	R375-SP08-02T-XXX-R27-L14	75S	265S	.018	8	107	124
PIN-DSS	R220-0404-01T-XXX-R27-L14	01S	93S	.018	4	98	81
PIN-HR005	R100-0403-06T-XXX-R27-L14	75S	265S	.018	3	87	21
PIN-HR008	R100-0403-06T-XXX-R27-L14	75S	265S	.018	3	87	21
PIN-HR020	R100-0403-06T-XXX-R27-L14	75S	265S	.018	3	87	21
PIN-HR026	R100-0403-06T-XXX-R27-L14	75S	265S	.018	3	87	21
PIN-RD07	R295-0403-01T-XXX-R27-L14	01S	93S	.018	3	102	102
PIN-RD15	R295-0403-01T-XXX-R27-L14	01S	93S	.018	3	102	102
QD7-0	R200-0805-02T-XXX-R27-L14	75S	265S	.018	5	94	61
QD50-0	R400-SP06-01T-XXX-R27-L14	01S	93S	.018	6	110	139
SC-4D	R200-0805-02T-XXX-R27-L14	75S	265S	.018	5	94	61
SL3-1	R200-0805-02T-XXX-R27-L14	75S	265S	.018	5	94	61
SL5-1	R300-0803-02T-XXX-R27-L14	01S	93S	.018	3	103	104
SPOT-2D	R200-0805-02T-XXX-R27-L14	75S	265S	.018	5	94	61
SPOT-3D	R200-0805-02T-XXX-R27-L14	75S	265S	.018	5	94	61
SPOT-4D	R200-0805-02T-XXX-R27-L14	75S	265S	.018	5	94	61
SPOT-4DMI	R200-0805-02T-XXX-R27-L14	75S	265S	.018	5	94	61
SPOT-4DUV	R200-0805-02T-XXX-R27-L14	75S	265S	.018	5	94	61
SPOT-9-YAG	R750-1806-01T-XXX-R27-L14	01S	93S	.018	6	119	184
SPOT-15-YAG	R750-1806-01T-XXX-R27-L14	01S	93S	.018	6	119	184
UV-001	R200-0402-02T-XXX-R27-L14	01S	93S	.018	2	92	49
UV-005	R200-0402-02T-XXX-R27-L14	01S	93S	.018	2	92	49
UV-005D	R200-0402-02T-XXX-R27-L14	01S	93S	.018	2	92	49
UV-005E	R200-0402-02T-XXX-R27-L14	01S	93S	.018	2	92	49
UV-013D	R200-0402-02T-XXX-R27-L14	01S	93S	.018	2	92	49
UV-013E	R200-0402-02T-XXX-R27-L14	01S	93S	.018	2	92	49
UV-015	R200-0402-02T-XXX-R27-L14	01S	93S	.018	2	92	49
UV-020	R295-0402-01T-XXX-R27-L14	01S	93S	.018	2	102	100
UV-035	R295-0402-01T-XXX-R27-L14	01S	93S	.018	2	102	100
UV-035D	R295-0402-01T-XXX-R27-L14	01S	93S	.018	2	102	100
UV-035E	R295-0402-01T-XXX-R27-L14	01S	93S	.018	2	102	100
UV-50L	R730-0803-01T-XXX-R27-L14	01S	93S	.018	3	118	179
UV-100L	R730-0803-01T-XXX-R27-L14	01S	93S	.018	3	118	179
XUV-005	R200-0402-02T-XXX-R27-L14	01S	93S	.018	2	92	49
XUV-020	R295-0402-01T-XXX-R27-L14	01S	93S	.018	2	102	100
XUV-035	R295-0402-01T-XXX-R27-L14	01S	93S	.018	2	102	100

OSRAM Opto Semiconductors GmbH Sockets							
OSRAM Opto Semiconductors GmbH Sockets Part Number	Andon Part Number Replace "XXX" w ith Terminal Type	Terminal Type		Pin Ø [in]	Pin Qty.	Page Number	Figure Number
		Thru-Hole	Surface Mount				
BPW 21	R200-0402-02T-XXX-R27-L14	01S	93S	.018	2	92	49
BPX 61	R200-0402-02T-XXX-R27-L14	01S	93S	.018	2	92	49
BPX 65	R100-0402-06T-XXX-R27-L14	75S	265S	.018	2	87	17
LA 3366	R100-0402-06T-XXX-R27-L14	75S	265S	.018	2	87	17
LA 541B	R100-0402-06T-XXX-R27-L14	75S	265S	.018	2	87	17
LA 543B	R100-0402-06T-XXX-R27-L14	75S	265S	.018	2	87	17
LB 543C	R100-0402-06T-XXX-R27-L14	75S	265S	.018	2	87	17
LG 5460	R100-0402-06T-XXX-R27-L14	75S	265S	.018	2	87	17
LO 3366	R100-0402-06T-XXX-R27-L14	75S	265S	.018	2	87	17
LO 541B	R100-0402-06T-XXX-R27-L14	75S	265S	.018	2	87	17
LO 543B	R100-0402-06T-XXX-R27-L14	75S	265S	.018	2	87	17
LS 3366	R100-0402-06T-XXX-R27-L14	75S	265S	.018	2	87	17
LS 5421	R100-0402-06T-XXX-R27-L14	75S	265S	.018	2	87	17
LS 5460	R100-0402-06T-XXX-R27-L14	75S	265S	.018	2	87	17
LT 543C	R100-0402-06T-XXX-R27-L14	75S	265S	.018	2	87	17
LV 543C	R100-0402-06T-XXX-R27-L14	75S	265S	.018	2	87	17
LW 541C	R100-0402-06T-XXX-R27-L14	75S	265S	.018	2	87	17
LY 0285	R100-0402-06T-XXX-R27-L14	274K	281K	.018	2	87	16
LY 0286	R100-0402-06T-XXX-R27-L14	274K	281K	.018	2	87	16
LY 3366	R100-0402-06T-XXX-R27-L14	75S	265S	.018	2	87	17
LY 5421	R100-0402-06T-XXX-R27-L14	75S	265S	.018	2	87	17
LY 543B	R100-0402-06T-XXX-R27-L14	75S	265S	.018	2	87	17
LY 5460	R100-0402-06T-XXX-R27-L14	75S	265S	.018	2	87	17
PL T4 NSB	R056-0403-01T-XXX-G10-L14	C2	N/A	.018	3	85	3
SFH 203 P	R100-0402-06T-XXX-R27-L14	75S	265S	.018	2	87	17
SFH 203 PFA	R100-0402-06T-XXX-R27-L14	75S	265S	.018	2	87	17
SFH 205 F	R100-0402-06T-XXX-R27-L14	75S	265S	.018	2	87	17
SFH 205 FA	R100-0402-06T-XXX-R27-L14	75S	265S	.018	2	87	17
SFH 206 K	R100-0402-06T-XXX-R27-L14	75S	265S	.018	2	87	17
SFH 213	R100-0402-06T-XXX-R27-L14	75S	265S	.018	2	87	17
SFH 213 FA	R100-0402-06T-XXX-R27-L14	75S	265S	.018	2	87	17
SFH 229	R100-0402-06T-XXX-R27-L14	75S	265S	.018	2	87	17
SFH 229 FA	R100-0402-06T-XXX-R27-L14	75S	265S	.018	2	87	17
SFH 2302	R100-0402-06T-XXX-R27-L14	75S	265S	.018	2	87	17
SFH 2332	R100-0402-06T-XXX-R27-L14	75S	265S	.018	2	87	17
SFH 4350	R100-0402-06T-XXX-R27-L14	75S	265S	.018	2	87	17
SFH 4550	R100-0402-06T-XXX-R27-L14	75S	265S	.018	2	87	17
SFH 4555	R100-0402-06T-XXX-R27-L14	75S	265S	.018	2	87	17
SFH 4556	R100-0402-06T-XXX-R27-L14	75S	265S	.018	2	87	17
SFH 4850 E7800	R100-0402-06T-XXX-R27-L14	75S	265S	.018	2	87	17
SFH 5840	R100-0403-06T-XXX-R27-L14	75S	265S	.018	3	87	21
SPH 5841	R100-0403-06T-XXX-R27-L14	75S	265S	.018	3	87	21
SPL PL85	R100-0402-06T-XXX-R27-L14	75S	265S	.018	2	87	17
SPL PL90	R100-0402-06T-XXX-R27-L14	75S	265S	.018	2	87	17
SPL PL90_0	R100-0402-06T-XXX-R27-L14	75S	265S	.018	2	87	17
SPL PL90_0-B	R100-0402-06T-XXX-R27-L14	75S	265S	.018	2	87	17
SPL PL90_3	R100-0402-06T-XXX-R27-L14	75S	265S	.018	2	87	17

Pacific Silicon Sensor, Inc. Sockets							
Pacific Silicon Sensor, Inc. Sockets Part Number	Andon Part Number Replace "XXX" w ith Terminal Type	Terminal Type		Pin Ø [in]	Pin Qty.	Page Number	Figure Number
		Thru-Hole	Surface Mount				
AD-100-8 TO52S1	R100-0403-01T-XXX-R27-L14	75S	265S	.018	3	87	18
AD-1100-8 TO5I	R200-0403-03T-XXX-R27-L14	01S	93S	.018	3	93	56
AD-1100-8-27	R200-0403-03T-XXX-R27-L14	01S	93S	.018	3	93	56
AD-1100-8-28	R200-0402-01T-XXX-R27-L14	01S	93S	.018	2	92	48

Pacific Silicon Sensor, Inc. Sockets *Continued*

Pacific Silicon Sensor, Inc. Sockets Part Number	Andon Part Number Replace "XXX" w/ith Terminal Type	Terminal Type		Pin Ø [in]	Pin Qty.	Page Number	Figure Number
		Thru-Hole	Surface Mount				
AD-1900-8 TO5I	R200-0403-03T-XXX-R27-L14	01S	93S	.018	3	93	56
AD-1900-8-27	R200-0403-03T-XXX-R27-L14	01S	93S	.018	3	93	56
AD-1900-8-28	R200-0402-01T-XXX-R27-L14	01S	93S	.018	2	92	48
AD-1900-9-27	R200-0403-03T-XXX-R27-L14	01S	93S	.018	3	93	56
AD-1900-9-28	R200-0402-01T-XXX-R27-L14	01S	93S	.018	2	92	48
AD-230 TO52S3	R100-0402-01T-XXX-R27-L14	75S	265S	.018	2	86	12
AD-230-2.3G-TO5	R200-0404-01T-XXX-R27-L14	01S	93S	.018	4	94	58
AD-230-8 TO52SI	R100-0403-01T-XXX-R27-L14	75S	265S	.018	3	87	18
AD-230-8-1P	R100-0402-01T-XXX-R27-L14	75S	265S	.018	2	86	12
AD-230-8-22	R100-0403-01T-XXX-R27-L14	75S	265S	.018	3	87	18
AD-230-8-2P	R100-0403-01T-XXX-R27-L14	75S	265S	.018	3	87	18
AD-230-9-1P	R100-0402-01T-XXX-R27-L14	75S	265S	.018	2	86	12
AD-23-8-25	R200-0403-03T-XXX-R27-L14	01S	93S	.018	3	93	56
AD-230-9-22	R100-0403-01T-XXX-R27-L14	75S	265S	.018	3	87	18
AD-230-9-25	R200-0403-03T-XXX-R27-L14	01S	93S	.018	3	93	56
AD-230-9-2P	R100-0403-01T-XXX-R27-L14	75S	265S	.018	3	87	18
AD-230-9-400M-TO5	R200-0805-02T-XXX-R27-L14	75S	265S	.018	5	94	61
AD-2500-8-27	R200-0403-03T-XXX-R27-L14	01S	93S	.018	3	93	56
AD-2500-8-28	R200-0402-01T-XXX-R27-L14	01S	93S	.018	2	92	48
AD-2500-8-TO5I	R100-0403-01T-XXX-R27-L14	75S	265S	.018	3	87	18
AD-2500-9-27	R200-0403-03T-XXX-R27-L14	01S	93S	.018	3	93	56
AD-2500-9-28	R200-0402-01T-XXX-R27-L14	01S	93S	.018	2	92	48
AD-3000-9-27	R200-0403-03T-XXX-R27-L14	01S	93S	.018	3	93	56
AD-3000-9-28	R200-0402-01T-XXX-R27-L14	01S	93S	.018	2	92	48
AD-5000-9-28	R200-0402-01T-XXX-R27-L14	01S	93S	.018	2	92	48
AD-5000-9-9P	R295-0403-01T-XXX-R27-L14	01S	93S	.018	3	102	102
AD-5000-9P-27	R200-0403-03T-XXX-R27-L14	01S	93S	.018	3	93	56
AD-500-1.3G-TO5	R200-0805-02T-XXX-R27-L14	75S	265S	.018	5	94	61
AD-500-8-1P	R100-0402-01T-XXX-R27-L14	75S	265S	.018	2	86	12
AD-500-8-22	R100-0402-01T-XXX-R27-L14	75S	265S	.018	2	86	12
AD-500-8-25	R200-0402-01T-XXX-R27-L14	01S	93S	.018	2	92	48
AD-500-8-2P	R100-0402-01T-XXX-R27-L14	75S	265S	.018	2	86	12
AD-500-8-52S3	R100-0402-01T-XXX-R27-L14	75S	265S	.018	2	86	12
AD-500-9-1P	R100-0402-01T-XXX-R27-L14	75S	265S	.018	2	86	12
AD-500-9-22	R100-0403-01T-XXX-R27-L14	75S	265S	.018	3	87	18
AD-500-9-25	R200-0403-03T-XXX-R27-L14	01S	93S	.018	3	93	56
AD-500-9-2P	R200-0403-03T-XXX-R27-L14	01S	93S	.018	3	93	56
AD-500-9-400M-TO5	R200-0805-02T-XXX-R27-L14	75S	265S	.018	5	94	61
AD-800-8-1P	R100-0402-01T-XXX-R27-L14	75S	265S	.018	2	86	12
AD-800-8-22	R100-0403-01T-XXX-R27-L14	75S	265S	.018	3	87	18
AD-800-8-25	R200-0403-03T-XXX-R27-L14	01S	93S	.018	3	93	56
AD-800-8-TO5I	R200-0403-03T-XXX-R27-L14	01S	93S	.018	3	93	56
AD-800-9-1P	R100-0402-01T-XXX-R27-L14	75S	265S	.018	2	86	12
AD-800-9-22	R100-0403-01T-XXX-R27-L14	75S	265S	.018	3	87	18
AD-800-9-25	R200-0403-03T-XXX-R27-L14	01S	93S	.018	3	93	56
PC10-2-5P	R200-0402-01T-XXX-R27-L14	01S	93S	.018	2	92	48
PC10-2-6P	R200-0403-03T-XXX-R27-L14	01S	93S	.018	3	93	56
PC10-6-5	R200-0402-01T-XXX-R27-L14	01S	93S	.018	2	92	48
PC10-6-6	R200-0403-03T-XXX-R27-L14	01S	93S	.018	3	93	56
PC10-7-5	R200-0402-01T-XXX-R27-L14	01S	93S	.018	2	92	48
PC10-7-6	R200-0403-03T-XXX-R27-L14	01S	93S	.018	3	93	56
PC1-2-1P	R100-0402-01T-XXX-R27-L14	75S	265S	.018	2	86	12
PC1-2-2P	R100-0403-01T-XXX-R27-L14	75S	265S	.018	3	87	18
PC1-2-3P	R100-0402-01T-XXX-R27-L14	75S	265S	.018	2	86	12
PC1-2-5P	R200-0402-01T-XXX-R27-L14	01S	93S	.018	2	92	48

Pacific Silicon Sensor, Inc. Sockets *Continued*

Pacific Silicon Sensor, Inc. Sockets Part Number	Andon Part Number Replace "XXX" w/ith Terminal Type	Terminal Type		Pin Ø [in]	Pin Qty.	Page Number	Figure Number
		Thru-Hole	Surface Mount				
PC15-7-5	R200-0402-01T-XXX-R27-L14	01S	93S	.018	2	92	48
PC15-7-6	R200-0403-03T-XXX-R27-L14	01S	93S	.018	3	93	56
PC1-6-1	R100-0402-01T-XXX-R27-L14	75S	265S	.018	2	86	12
PC1-6-2	R100-0403-01T-XXX-R27-L14	75S	265S	.018	3	87	18
PC1-6-3	R100-0402-01T-XXX-R27-L14	75S	265S	.018	2	86	12
PC1-6-5	R200-0402-01T-XXX-R27-L14	01S	93S	.018	2	92	48
PC1-7-1	R100-0402-01T-XXX-R27-L14	75S	265S	.018	2	86	12
PC1-7-2	R100-0403-01T-XXX-R27-L14	75S	265S	.018	3	87	18
PC1-7-3	R100-0402-01T-XXX-R27-L14	75S	265S	.018	2	86	12
PC1-7-5	R200-0402-01T-XXX-R27-L14	01S	93S	.018	2	92	48
PC20-2-9P	R295-0403-01T-XXX-R27-L14	01S	93S	.018	3	102	102
PC20-6-9	R295-0403-01T-XXX-R27-L14	01S	93S	.018	3	102	102
PC20-6-TO8	R295-0402-02T-XXX-R27-L14	01S	93S	.018	2	102	101
PC20-7-9	R295-0403-01T-XXX-R27-L14	01S	93S	.018	3	102	102
PC2-2-1P	R100-0402-01T-XXX-R27-L14	75S	265S	.018	2	86	12
PC2-2-3P	R100-0402-01T-XXX-R27-L14	75S	265S	.018	2	86	12
PC2-2-5P	R200-0402-01T-XXX-R27-L14	01S	93S	.018	2	92	48
PC2-6-1	R100-0402-01T-XXX-R27-L14	75S	265S	.018	2	86	12
PC2-6-3	R100-0402-01T-XXX-R27-L14	75S	265S	.018	2	86	12
PC2-6-5	R200-0402-01T-XXX-R27-L14	01S	93S	.018	2	92	48
PC2-7-1	R100-0402-01T-XXX-R27-L14	75S	265S	.018	2	86	12
PC2-7-3	R200-0402-01T-XXX-R27-L14	01S	93S	.018	2	92	48
PC2-7-5	R100-0402-01T-XXX-R27-L14	75S	265S	.018	2	86	12
PC50-2-10P	R400-SP12-02T-XXX-R27-L14	01S	93S	.018	12	111	143
PC50-6-10	R400-SP12-02T-XXX-R27-L14	01S	93S	.018	12	111	143
PC50-7-10	R400-SP12-02T-XXX-R27-L14	01S	93S	.018	12	111	143
PC5-2-5P	R200-0402-01T-XXX-R27-L14	01S	93S	.018	2	92	48
PC5-2-6P	R200-0403-03T-XXX-R27-L14	01S	93S	.018	3	93	56
PC5-6-5	R200-0402-01T-XXX-R27-L14	01S	93S	.018	2	92	48
PC5-6-6	R200-0403-03T-XXX-R27-L14	01S	93S	.018	3	93	56
PC5-7-5	R200-0402-01T-XXX-R27-L14	01S	93S	.018	2	92	48
PC5-7-6	R200-0403-03T-XXX-R27-L14	01S	93S	.018	3	93	56
PR33-2-9P	R295-0403-01T-XXX-R27-L14	01S	93S	.018	3	102	102
PS11.9-5-5	R200-0402-01T-XXX-R27-L14	01S	93S	.018	2	92	48
PS11.9-5-6	R200-0403-03T-XXX-R27-L14	01S	93S	.018	3	93	56
PS20-2-9P	R295-0403-01T-XXX-R27-L14	01S	93S	.018	3	102	102
PS3.6-5-5	R200-0402-01T-XXX-R27-L14	01S	93S	.018	2	92	48
PS3.6-5-6	R200-0403-03T-XXX-R27-L14	01S	93S	.018	3	93	56
PS3.6-5-TO5	R400-SP12-02T-XXX-R27-L14	01S	93S	.018	12	111	143
PS30-4-10	R295-0403-01T-XXX-R27-L14	01S	93S	.018	3	102	102
PS30-4-9	R295-0403-01T-XXX-R27-L14	01S	93S	.018	3	102	102
PS50-6-10	R400-SP12-02T-XXX-R27-L14	01S	93S	.018	12	111	143
PSO.25-5-1	R100-0402-01T-XXX-R27-L14	75S	265S	.018	2	86	12
PSO.25-5-2	R100-0403-01T-XXX-R27-L14	75S	265S	.018	3	87	18
PSO.25-5-3	R100-0402-01T-XXX-R27-L14	75S	265S	.018	2	86	12
PSO.25-5-5	R200-0402-01T-XXX-R27-L14	01S	93S	.018	2	92	48
PSO.25-TO52S1	R100-0403-01T-XXX-R27-L14	75S	265S	.018	3	87	18
PSO.9-5-1	R100-0402-01T-XXX-R27-L14	75S	265S	.018	2	86	12
PSO.9-5-2	R100-0403-01T-XXX-R27-L14	75S	265S	.018	3	87	18
PSO.9-5-3	R100-0402-01T-XXX-R27-L14	75S	265S	.018	2	86	12
PSO.9-5-5	R200-0402-01T-XXX-R27-L14	01S	93S	.018	2	92	48
PSO3.6-5-5	R200-0402-01T-XXX-R27-L14	01S	93S	.018	2	92	48
PSO3.6-5-6	R200-0403-03T-XXX-R27-L14	01S	93S	.018	3	93	56
PSO.9-5-3	R100-0402-01T-XXX-R27-L14	75S	265S	.018	2	86	12
QP1.16-6-TO18	R200-0805-02T-XXX-R27-L14	75S	265S	.018	5	94	61

Pacific Silicon Sensor, Inc. Sockets <i>Continued</i>							
Pacific Silicon Sensor, Inc. Sockets Part Number	Andon Part Number Replace "XXX" w/ith Terminal Type	Terminal Type		Pin Ø [in]	Pin Qty.	Page Number	Figure Number
		Thru-Hole	Surface Mount				
QP5.6-6-TO5	R200-0807-02T-XXX-R27-L14	75S	265S	.018	7	95	67
QP5.8-6-TO5	R200-0805-02T-XXX-R27-L14	75S	265S	.018	5	94	61
QP50-6-10	R400-SP12-02T-XXX-R27-L14	01S	93S	.018	12	111	143
QP50-6-18-10	R400-SP12-02T-XXX-R27-L14	01S	93S	.018	12	111	143
SSO-DP-3.22-6-TO5	R200-0403-03T-XXX-R27-L14	01S	93S	.018	3	93	56
SSO-WS-7-56-TO5	R200-0403-03T-XXX-R27-L14	01S	93S	.018	3	93	56
SSO-WS-7-56-TO5I	R200-0404-01T-XXX-R27-L14	01S	93S	.018	4	94	58
WS-7.56-TO5	R200-0403-03T-XXX-R27-L14	01S	93S	.018	3	93	56

Perkin Elmer Optoelectronics Sockets							
Perkin Elmer Optoelectronics Sockets Part Number	Andon Part Number Replace "XXX" w/ith Terminal Type	Terminal Type		Pin Ø [in]	Pin Qty.	Page Number	Figure Number
		Thru-Hole	Surface Mount				
A1050	R140-0402-03T-XXX-R27-L14	01S	93S	.018	2	90	39
A1060	R140-0402-03T-XXX-R27-L14	01S	93S	.018	2	90	39
B1060	R295-0402-01T-XXX-R27-L14	01S	93S	.018	2	102	100
C30617BFCH	R100-SP03-01T-XXX-R27-L14	274K	281K	.018	3	89	31
C30617BH	R100-SP02-02T-XXX-R27-L14	274K	281K	.018	2	89	30
C30617BSCH	R100-SP03-01T-XXX-R27-L14	274K	281K	.018	3	89	31
C30617BSTH	R100-SP03-01T-XXX-R27-L14	274K	281K	.018	3	89	31
C30618BFCH	R100-SP03-01T-XXX-R27-L14	274K	281K	.018	3	89	31
C30618GH	R100-SP02-02T-XXX-R27-L14	274K	281K	.018	2	89	30
C30619	R100-SP02-02T-XXX-R27-L14	274K	281K	.018	2	89	30
C30619GH	R100-SP02-02T-XXX-R27-L14	274K	281K	.018	2	89	30
C30641	R100-SP02-02T-XXX-R27-L14	274K	281K	.018	2	89	30
C30641EH-DTC	F700-SP12-01-XXX-R27-L14	01S	93S	.018	12	125	211
C30641EH-TC	F700-SP12-01-XXX-R27-L14	01S	93S	.018	12	125	211
C30641GH	R100-SP02-02T-XXX-R27-L14	274K	281K	.018	2	89	30
C30642	R200-0403-03T-XXX-R27-L14	01S	93S	.018	3	93	56
C30642GH	R200-0403-03T-XXX-R27-L14	01S	93S	.018	3	93	56
C30644EH	R100-SP02-02T-XXX-R27-L14	274K	281K	.018	2	89	30
C30645EH	R100-SP02-02T-XXX-R27-L14	274K	281K	.018	2	89	30
C30659-900-R5BH	R400-0803-01T-XXX-R27-L14	01S	93S	.018	3	109	133
C30659-900-R8AH	R400-0803-01T-XXX-R27-L14	01S	93S	.018	3	109	133
C30659-1060-3AH	R400-0803-01T-XXX-R27-L14	01S	93S	.018	3	109	133
C30659-1060-R8BH	R400-0803-01T-XXX-R27-L14	01S	93S	.018	3	109	133
C30659-1550-R08BH	R400-0803-01T-XXX-R27-L14	01S	93S	.018	3	109	133
C30659-1550-R2AH	R400-0803-01T-XXX-R27-L14	01S	93S	.018	3	109	133
C30662EH	R100-SP02-02T-XXX-R27-L14	274K	281K	.018	2	89	30
C30665	R200-0403-03T-XXX-R27-L14	01S	93S	.018	3	93	56
C30665GH	R200-0403-03T-XXX-R27-L14	01S	93S	.018	3	93	56
C30723G	R400-0803-01T-XXX-R27-L14	01S	93S	.018	3	109	133
C30723GH	R200-0403-03T-XXX-R27-L14	01S	93S	.018	3	93	56
C30741PFH-15S	R100-0402-06T-XXX-R27-L14	274K	281K	.018	2	87	16
C30741PH-15S	R100-0402-06T-XXX-R27-L14	274K	281K	.018	2	87	16
C30807EH	R100-SP02-02T-XXX-R27-L14	274K	281K	.018	2	89	30
C30808EH	R200-0403-03T-XXX-R27-L14	01S	93S	.018	3	93	56
C30809EH	R400-0803-01T-XXX-R27-L14	01S	93S	.018	3	109	133
C30817EH	R200-0403-03T-XXX-R27-L14	01S	93S	.018	3	93	56
C30822EH	R400-0803-01T-XXX-R27-L14	01S	93S	.018	3	109	133
C30843	R235-1010-02T-XXX-R27-L14	211S	265S	.018	10	100	91
C30844	R400-SP12-02T-XXX-R27-L14	01S	93S	.018	12	111	143
C30845	R400-SP12-02T-XXX-R27-L14	01S	93S	.018	12	111	143
C30845EH	R400-0803-01T-XXX-R27-L14	01S	93S	.018	3	109	133
C30846	R730-0807-01T-XXX-R27-L14	01S	93S	.018	7	118	180
C30872EH	R400-0803-01T-XXX-R27-L14	01S	93S	.018	3	109	133

Perkin Elmer Optoelectronics Sockets *Continued*

Perkin Elmer Optoelectronics Sockets Part Number	Andon Part Number Replace "XXX" w/ith Terminal Type	Terminal Type		Pin Ø [in]	Pin Qty.	Page Number	Figure Number
		Thru-Hole	Surface Mount				
C30884E CDxx	R200-0403-03T-XXX-R27-L14	01S	93S	.018	3	93	56
C30902BH	R100-SP02-02T-XXX-R27-L14	274K	281K	.018	2	89	30
C30902EH	R100-SP02-02T-XXX-R27-L14	274K	281K	.018	2	89	30
C30902SH	R100-SP02-02T-XXX-R27-L14	274K	281K	.018	2	89	30
C30902SH-DTC	F700-SP12-01-XXX-R27-L14	01S	93S	.018	12	125	211
C30902SH-TC	F700-SP12-01-XXX-R27-L14	01S	93S	.018	12	125	211
C30916EH	R200-0403-03T-XXX-R27-L14	01S	93S	.018	3	93	56
C30919E	R400-SP12-02T-XXX-R27-L14	01S	93S	.018	12	111	143
C30921EH	R100-SP02-02T-XXX-R27-L14	274K	281K	.018	2	89	30
C30921SH	R100-SP02-02T-XXX-R27-L14	274K	281K	.018	2	89	30
C30927E	R400-SP12-02T-XXX-R27-L14	01S	93S	.018	12	111	143
C30927EH-01	R400-SP12-02T-XXX-R27-L14	01S	93S	.018	12	111	143
C30927EH-02	R400-SP12-02T-XXX-R27-L14	01S	93S	.018	12	111	143
C30927EH-03	R400-SP12-02T-XXX-R27-L14	01S	93S	.018	12	111	143
C30950EH	R400-0803-01T-XXX-R27-L14	01S	93S	.018	3	109	133
C30954E-DTC	F700-SP12-01-XXX-R27-L14	01S	93S	.018	12	125	211
C30954EH	R200-0403-03T-XXX-R27-L14	01S	93S	.018	3	93	56
C30954E-TC	F700-SP12-01-XXX-R27-L14	01S	93S	.018	12	125	211
C30955EH	R200-0403-03T-XXX-R27-L14	01S	93S	.018	3	93	56
C30955E-DTC	F700-SP12-01-XXX-R27-L14	01S	93S	.018	12	125	211
C30955E-TC	F700-SP12-01-XXX-R27-L14	01S	93S	.018	12	125	211
C30956EH	R400-0803-01T-XXX-R27-L14	01S	93S	.018	3	109	133
C30956E-TC	F700-SP12-01-XXX-R27-L14	01S	93S	.018	12	125	211
C30971EH	R100-SP02-02T-XXX-R27-L14	274K	281K	.018	2	89	30
D 1160	R197-0402-01T-XXX-R27-L14	01S	93S	.018	2	91	46
D 1172	R197-0402-01T-XXX-R27-L14	01S	93S	.018	2	91	46
DPGax1S03H	R100-0402-06T-XXX-R27-L14	274K	281K	.018	2	87	16
DPGax1509H	R100-0402-06T-XXX-R27-L14	274K	281K	.018	2	87	16
FFD-100H	R200-0403-03T-XXX-R27-L14	01S	93S	.018	3	93	56
FND-100QH	R200-0403-03T-XXX-R27-L14	01S	93S	.018	3	93	56
LLAM-1060-R8BH	F700-SP12-01-XXX-R27-L14	01S	93S	.018	12	125	211
LLAM-1550-R2AH	F700-SP12-01-XXX-R27-L14	01S	93S	.018	12	125	211
PGAx1S03H	R100-0402-06T-XXX-R27-L14	274K	281K	.018	2	87	16
PGAx1S09H	R100-0402-06T-XXX-R27-L14	274K	281K	.018	2	87	16
QPGAx1S03H	R100-0402-06T-XXX-R27-L14	274K	281K	.018	2	87	16
QPGAx1S09H	R100-0402-06T-XXX-R27-L14	274K	281K	.018	2	87	16
QPGAx2S03H	R100-0402-06T-XXX-R27-L14	274K	281K	.018	2	87	16
QPGAx2S09H	R100-0402-06T-XXX-R27-L14	274K	281K	.018	2	87	16
QPGAx3S03H	R100-0402-06T-XXX-R27-L14	274K	281K	.018	2	87	16
QPGAx3S09H	R100-0402-06T-XXX-R27-L14	274K	281K	.018	2	87	16
SGD-444-4A	R800-1207-01T-XXX-R27-L14	01S	93S	.018	7	120	187
TPGax1S03H	R100-0402-06T-XXX-R27-L14	274K	281K	.018	2	87	16
TPGax1S09H	R100-0402-06T-XXX-R27-L14	274K	281K	.018	2	87	16
TPGax2S03H	R100-0402-06T-XXX-R27-L14	274K	281K	.018	2	87	16
TPGax2S09H	R100-0402-06T-XXX-R27-L14	274K	281K	.018	2	87	16
TPS 333	R100-0404-02T-XXX-R27-L14	211S	384S	.018	4	88	25
TPS 334	R200-0404-01T-XXX-R27-L14	01S	93S	.018	4	94	58
TPS 434	R200-0404-01T-XXX-R27-L14	01S	93S	.018	4	94	58
TPS 534	R200-0404-01T-XXX-R27-L14	01S	93S	.018	4	94	58
TPS 535	R200-0404-01T-XXX-R27-L14	01S	93S	.018	4	94	58
TPS 2534	R200-0404-01T-XXX-R27-L14	01S	93S	.018	4	94	58
U 1160	R080-0402-01T-XXX-R27-L14	274K	281K	.018	2	86	8
UV-040BQH	R200-0403-03T-XXX-R27-L14	01S	93S	.018	3	93	56
UV-100BQH	R200-0403-03T-XXX-R27-L14	01S	93S	.018	3	93	56
UV-215BGH/340	R200-0403-03T-XXX-R27-L14	01S	93S	.018	3	93	56

Perkin Elmer Optoelectronics Sockets *Continued*

Perkin Elmer Optoelectronics Sockets Part Number	Andon Part Number Replace "XXX" w/ith Terminal Type	Terminal Type		Pin Ø [in]	Pin Qty.	Page Number	Figure Number
		Thru-Hole	Surface Mount				
UV-215BQH	R200-0403-03T-XXX-R27-L14	01S	93S	.018	3	93	56
UV-245BGH	R200-0403-03T-XXX-R27-L14	01S	93S	.018	3	93	56
UV-245BQH	R200-0403-03T-XXX-R27-L14	01S	93S	.018	3	93	56
V1060	R212-0402-01T-XXX-R27-L14	01S	93S	.018	2	98	78
VS-214R1	R098-0403-01N-XXX-R27-L14	211S	265S	.018	3	86	11
VS-266R1	R100-0402-06T-XXX-R27-L14	274K	281K	.018	2	87	16
VTB1012BH	R100-0402-06T-XXX-R27-L14	274K	281K	.018	2	87	16
VTB1012H	R100-0402-06T-XXX-R27-L14	274K	281K	.018	2	87	16
VTB1013BH	R100-0402-06T-XXX-R27-L14	274K	281K	.018	2	87	16
VTB1013H	R100-0402-06T-XXX-R27-L14	274K	281K	.018	2	87	16
VTB1112BH	R100-0402-06T-XXX-R27-L14	274K	281K	.018	2	87	16
VTB1112H	R100-0402-06T-XXX-R27-L14	274K	281K	.018	2	87	16
VTB1113BH	R100-0402-06T-XXX-R27-L14	274K	281K	.018	2	87	16
VTB1113H	R100-0402-06T-XXX-R27-L14	274K	281K	.018	2	87	16
VTB4051H	R265-SP02-01-XXX-R27-L14	01S	93S	.018	2	101	94
VTB5051BH	R200-0402-01T-XXX-R27-L14	01S	93S	.018	2	92	48
VTB5051H	R200-0402-01T-XXX-R27-L14	01S	93S	.018	2	92	48
VTB5051JH	R200-0403-03T-XXX-R27-L14	01S	93S	.018	3	93	56
VTB5051UVH	R200-0402-01T-XXX-R27-L14	01S	93S	.018	2	92	48
VTB5051UVJH	R200-0403-03T-XXX-R27-L14	01S	93S	.018	3	93	56
VTB6060CIEH	R295-0402-01T-XXX-R27-L14	01S	93S	.018	2	102	100
VTB6061BH	R295-0402-01T-XXX-R27-L14	01S	93S	.018	2	102	100
VTB6061H	R295-0402-01T-XXX-R27-L14	01S	93S	.018	2	102	100
VTB6061JH	R295-0403-01T-XXX-R27-L14	01S	93S	.018	3	102	102
VTB6061UVJH	R295-0403-01T-XXX-R27-L14	01S	93S	.018	3	102	102
VTB6061UVH	R295-0403-01T-XXX-R27-L14	01S	93S	.018	3	102	102
VTB8341H	R200-SP02-01-XXX-R27-L14	01S	93S	.018	2	96	70
VTB8440BH	R197-SP02-01-XXX-R27-L14	01S	93S	.018	2	91	47
VTB8440H	R197-SP02-01-XXX-R27-L14	01S	93S	.018	2	91	47
VTB8441BH	R197-SP02-01-XXX-R27-L14	01S	93S	.018	2	91	47
VTB8441H	R197-SP02-01-XXX-R27-L14	01S	93S	.018	2	91	47
VTB9412BH	R118-SP02-01-XXX-R27-L14	01S	93S	.018	2	90	36
VTB9412H	R118-SP02-01-XXX-R27-L14	01S	93S	.018	2	90	36
VTB9413BH	R118-SP02-01-XXX-R27-L14	01S	93S	.018	2	90	36
VTB9413H	R118-SP02-01-XXX-R27-L14	01S	93S	.018	2	90	36
VTD31AAH	R265-SP02-01-XXX-R27-L14	01S	93S	.018	2	101	94
VTE1013H	R100-0402-06T-XXX-R27-L14	274K	281k	.018	2	87	16
VTE1063H	R100-0402-06T-XXX-R27-L14	274K	281K	.018	2	87	16
VTE1113H	R100-0402-06T-XXX-R27-L14	274K	281K	.018	2	87	16
VTE1291-1H	R100-0402-06T-XXX-R27-L14	75S	265S	.018	2	87	17
VTE1291-2H	R100-0402-06T-XXX-R27-L14	75S	265S	.018	2	87	17
VTE1291W-1H	R100-0402-06T-XXX-R27-L14	75S	265S	.018	2	87	17
VTE1291W-2H	R100-0402-06T-XXX-R27-L14	75S	265S	.018	2	87	17
VTE1295	R100-0402-06T-XXX-R27-L14	75S	265S	.018	2	87	17
VTE1295H	R100-0402-06T-XXX-R27-L14	75S	265S	.018	2	87	17
VTE3322LAH	R100-0402-06T-XXX-R27-L14	75S	265S	.018	2	87	17
VTE3324LAH	R100-0402-06T-XXX-R27-L14	75S	265S	.018	2	87	17
VTP1112H	R100-0402-06T-XXX-R27-L14	274K	281K	.018	2	87	16
VTP1188SH	R200-0402-01T-XXX-R27-L14	01S	93S	.018	2	92	48
VTP1220FBH	R100-0402-06T-XXX-R27-L14	75S	265S	.018	2	87	17
VTP1232H	R100-0402-06T-XXX-R27-L14	75S	265S	.018	2	87	17
VTP3310LAH	R100-0402-06T-XXX-R27-L14	75S	265S	.018	2	87	17
VTP3410LAH	R100-0402-06T-XXX-R27-L14	75S	265S	.018	2	87	17
VTP4085H	R265-SP02-01-XXX-R27-L14	01S	93S	.018	2	101	94
VTP4085SH	R265-SP02-01-XXX-R27-L14	01S	93S	.018	2	101	94

Perkin Elmer Optoelectronics Sockets *Continued*

Perkin Elmer Optoelectronics Sockets Part Number	Andon Part Number Replace "XXX" w ith Terminal Type	Terminal Type		Pin Ø [in]	Pin Qty.	Page Number	Figure Number
		Thru-Hole	Surface Mount				
VTP5050H	R200-0402-01T-XXX-R27-L14	01S	93S	.018	2	92	48
VTP6060H	R295-0402-01T-XXX-R27-L14	01S	93S	.018	2	102	100
VTP8350H	R200-SP02-01-XXX-R27-L14	01S	93S	.018	2	96	70
VTP8440H	R197-SP02-01-XXX-R27-L14	01S	93S	.018	2	91	47
VTP9412H	R118-SP02-01-XXX-R27-L14	01S	93S	.018	2	90	36
VTP9812FH	R100-0402-06T-XXX-R27-L14	75S	265S	.018	2	87	17
VTT1015H	R200-0403-03T-XXX-R27-L14	01S	93S	.018	3	93	56
VTT1016H	R200-0403-03T-XXX-R27-L14	01S	93S	.018	3	93	56
VTT1017H	R200-0403-03T-XXX-R27-L14	01S	93S	.018	3	93	56
VTT1115H	R200-0403-03T-XXX-R27-L14	01S	93S	.018	3	93	56
VTT1116H	R200-0403-03T-XXX-R27-L14	01S	93S	.018	3	93	56
VTT1117H	R200-0403-03T-XXX-R27-L14	01S	93S	.018	3	93	56
VTT1212H	R100-0402-06T-XXX-R27-L14	75S	265S	.018	2	87	17
VTT1214H	R100-0402-06T-XXX-R27-L14	75S	265S	.018	2	87	17
VTT1222WH	R100-0402-06T-XXX-R27-L14	75S	265S	.018	2	87	17
VTT1223WH	R100-0402-06T-XXX-R27-L14	75S	265S	.018	2	87	17
VTT1225H	R100-0402-06T-XXX-R27-L14	75S	265S	.018	2	87	17
VTT1226H	R100-0402-06T-XXX-R27-L14	75S	265S	.018	2	87	17
VTT1227H	R100-0402-06T-XXX-R27-L14	75S	265S	.018	2	87	17
VTT3323LAH	R100-0402-06T-XXX-R27-L14	75S	265S	.018	2	87	17
VTT3324LAH	R100-0402-06T-XXX-R27-L14	75S	265S	.018	2	87	17
VTT3325LAH	R100-0402-06T-XXX-R27-L14	75S	265S	.018	2	87	17
VTT3423LAH	R100-0402-06T-XXX-R27-L14	75S	265S	.018	2	87	17
VTT3424LAH	R100-0402-06T-XXX-R27-L14	75S	265S	.018	2	87	17
VTT3425LAH	R100-0402-06T-XXX-R27-L14	75S	265S	.018	2	87	17
VTT9002H	R200-0403-03T-XXX-R27-L14	01S	93S	.018	3	93	56
VTT9003H	R200-0403-03T-XXX-R27-L14	01S	93S	.018	3	93	56
VTT9102H	R200-0403-03T-XXX-R27-L14	01S	93S	.018	3	93	56
VTT9103H	R200-0403-03T-XXX-R27-L14	01S	93S	.018	3	93	56
VTT9812FH	R100-0402-06T-XXX-R27-L14	75S	265S	.018	2	87	17
W 5560	R315-0402-01T-XXX-R27-L14	01S	93S	.018	2	105	113
YAG-100AH	R200-0403-03T-XXX-R27-L14	01S	93S	.018	3	93	56
YAG-200H	R400-0803-01T-XXX-R27-L14	01S	93S	.018	3	109	133
YAG-444-4A	R800-1207-01T-XXX-R27-L14	01S	93S	.018	7	120	187

Photonic Product Ltd. Sockets

Photonic Product Ltd.Sockets Part Number	Andon Part Number Replace "XXX" w ith Terminal Type	Terminal Type		Pin Ø [in]	Pin Qty.	Page Number	Figure Number
		Thru-Hole	Surface Mount				
DL-3038-013	R100-0403-01T-XXX-R27-L14	75S	265S	.018	3	87	18
DL-3038-023	R100-0403-01T-XXX-R27-L14	75S	265S	.018	3	87	18
DL-3038-033	R080-0403-01N-XXX-R27-L14	274K	281K	.018	3	86	9
DL-3144-007-S	R080-0403-01N-XXX-R27-L14	274K	281K	.018	3	86	9
DL-3144-008-S	R080-0403-01N-XXX-R27-L14	274K	281K	.018	3	86	9
DL-3146-151	R080-0403-01N-XXX-R27-L14	274K	281K	.018	3	86	9
DL-3147-031	R080-0403-01N-XXX-R27-L14	274K	281K	.018	3	86	9
DL-3147-060	R080-0403-01N-XXX-R27-L14	274K	281K	.018	3	86	9
DL-3147-085	R080-0403-01N-XXX-R27-L14	274K	281K	.018	3	86	9
DL-3147-285	R080-0403-01N-XXX-R27-L14	274K	281K	.018	3	86	9
DL-3148-013	R080-0403-01N-XXX-R27-L14	274K	281K	.018	3	86	9
DL-3148-023	R080-0403-01N-XXX-R27-L14	274K	281K	.018	3	86	9
DL-3148-025	R080-0403-01N-XXX-R27-L14	274K	281K	.018	3	86	9
DL-3148-033	R080-0403-01N-XXX-R27-L14	274K	281K	.018	3	86	9
DL-3148-235	R080-0403-01N-XXX-R27-L14	274K	281K	.018	3	86	9
DL-3149-057	R080-0403-01N-XXX-R27-L14	274K	281K	.018	3	86	9
DL-4034-1546	R100-0403-01T-XXX-R27-L14	75S	265S	.018	3	87	18

Photonic Product Ltd. Sockets <i>Continued</i>							
Photonic Product Ltd.Sockets Part Number	Andon Part Number Replace "XXX" w ith Terminal Type	Terminal Type		Pin Ø [in]	Pin Qty.	Page Number	Figure Number
		Thru-Hole	Surface Mount				
DL-4038-021	R100-0403-01T-XXX-R27-L14	75S	265S	.018	3	87	18
DL-4038-026	R100-0403-01T-XXX-R27-L14	75S	265S	.018	3	87	18
DL-4038-031	R100-0403-01T-XXX-R27-L14	75S	265S	.018	3	87	18
DL-4038-035	R100-0403-01T-XXX-R27-L14	75S	265S	.018	3	87	18
DL-4140-001S	R080-0403-01N-XXX-R27-L14	274K	281K	.018	3	86	9
DL-4140-101S	R080-0403-01N-XXX-R27-L14	274K	281K	.018	3	86	9
DL-4147-062	R080-0403-01N-XXX-R27-L14	274K	281K	.018	3	86	9
DL-4147-162	R080-0403-01N-XXX-R27-L14	274K	281K	.018	3	86	9
DL-4148-021	R080-0403-01N-XXX-R27-L14	274K	281K	.018	3	86	9
DL-4148-031	R080-0403-01N-XXX-R27-L14	274K	281K	.018	3	86	9
DL-5032-001	R100-0403-01T-XXX-R27-L14	75S	265S	.018	3	87	18
DL-5038-021	R100-0403-01T-XXX-R27-L14	75S	265S	.018	3	87	18
DL-5038-031	R100-0403-01T-XXX-R27-L14	75S	265S	.018	3	87	18
DL-5146-152	R080-0403-01N-XXX-R27-L14	274K	281K	.018	3	86	9
DL-5146-251	R080-0403-01N-XXX-R27-L14	274K	281K	.018	3	86	9
DL-5146-351	R080-0403-01N-XXX-R27-L14	274K	281K	.018	3	86	9
DL-5147-042	R080-0403-01N-XXX-R27-L14	274K	281K	.018	3	86	9
DL-5147-242	R080-0403-01N-XXX-R27-L14	274K	281K	.018	3	86	9
DL-6146-201	R080-0403-01N-XXX-R27-L14	274K	281K	.018	3	86	9
DL-6146-301	R080-0403-01N-XXX-R27-L14	274K	281K	.018	3	86	9
DL-6147-040	R080-0403-01N-XXX-R27-L14	274K	281K	.018	3	86	9
DL-6147-240	R080-0403-01N-XXX-R27-L14	274K	281K	.018	3	86	9
DL-7032-001	R100-0403-01T-XXX-R27-L14	75S	265S	.018	3	87	18
DL-7140-001S	R080-0403-01N-XXX-R27-L14	274K	281K	.018	3	86	9
DL-7140-201S	R080-0403-01N-XXX-R27-L14	274K	281K	.018	3	86	9
DL-7140-201W	R080-0403-01N-XXX-R27-L14	274K	281K	.018	3	86	9
DL-7141-035A	R080-0403-01N-XXX-R27-L14	274K	281K	.018	3	86	9
DL-7141-035B	R080-0403-01N-XXX-R27-L14	274K	281K	.018	3	86	9
DL-7141-035C	R080-0403-01N-XXX-R27-L14	274K	281K	.018	3	86	9
DL-7147-240	R080-0403-01N-XXX-R27-L14	274K	281K	.018	3	86	9
DL-8031-031A	R100-0403-01T-XXX-R27-L14	75S	265S	.018	3	87	18
DL-8031-031B	R100-0403-01T-XXX-R27-L14	75S	265S	.018	3	87	18
DL-8031-031C	R100-0403-01T-XXX-R27-L14	75S	265S	.018	3	87	18
DL-8032-001	R100-0403-01T-XXX-R27-L14	75S	265S	.018	3	87	18
DL-8141-035A	R080-0403-01N-XXX-R27-L14	274K	281K	.018	3	86	9
DL-8141-035B	R080-0403-01N-XXX-R27-L14	274K	281K	.018	3	86	9
DL-8141-035C	R080-0403-01N-XXX-R27-L14	274K	281K	.018	3	86	9
DL-LS1037	R100-0403-01T-XXX-R27-L14	75S	265S	.018	3	87	18
DL-LS1148	R080-0403-01N-XXX-R27-L14	274K	281K	.018	3	86	9
DL-LS1164	R080-0403-01N-XXX-R27-L14	274K	281K	.018	3	86	9
DL-LS2075	R080-0403-01N-XXX-R27-L14	274K	281K	.018	3	86	9
DL-LS5017	R080-0403-01N-XXX-R27-L14	274K	281K	.018	3	86	9
HL6312G	R080-0403-01N-XXX-R27-L14	274K	281K	.018	3	86	9
HL6314MG	R100-0403-01T-XXX-R27-L14	75S	265S	.018	3	87	18
HL6315G	R080-0403-01N-XXX-R27-L14	274K	281K	.018	3	86	9
HL6316G	R080-0403-01N-XXX-R27-L14	274K	281K	.018	3	86	9
HL6319G	R080-0403-01N-XXX-R27-L14	274K	281K	.018	3	86	9
HL6320G	R080-0403-01N-XXX-R27-L14	274K	281K	.018	3	86	9
HL6321G	R080-0403-01N-XXX-R27-L14	274K	281K	.018	3	86	9
HL6322G	R080-0403-01N-XXX-R27-L14	274K	281K	.018	3	86	9
HL6324MG	R100-0403-01T-XXX-R27-L14	75S	265S	.018	3	87	18
HL6325G	R080-0403-01N-XXX-R27-L14	274K	281K	.018	3	86	9
HL6326G	R080-0403-01N-XXX-R27-L14	274K	281K	.018	3	86	9
HL6327MG	R100-0403-01T-XXX-R27-L14	75S	265S	.018	3	87	18
HL6328MG	R100-0403-01T-XXX-R27-L14	75S	265S	.018	3	87	18

Photonic Product Ltd. Sockets <i>Continued</i>							
Photonic Product Ltd. Sockets Part Number	Andon Part Number Replace "XXX" w ith Terminal Type	Terminal Type		Pin Ø [in]	Pin Qty.	Page Number	Figure Number
		Thru-Hole	Surface Mount				
HL6331G	R080-0403-01N-XXX-R27-L14	274K	281K	.018	3	86	9
HL6332G	R080-0403-01N-XXX-R27-L14	274K	281K	.018	3	86	9
HL6333G	R100-0403-01T-XXX-R27-L14	75S	265S	.018	3	87	18
HL6334MG	R100-0403-01T-XXX-R27-L14	75S	265S	.018	3	87	18
HL6335G/36G	R080-0403-01N-XXX-R27-L14	274K	281K	.018	3	86	9
HL6339G/42G	R080-0403-01N-XXX-R27-L14	274K	281K	.018	3	86	9
HL6340G/41MG	R100-0403-01T-XXX-R27-L14	75S	265S	.018	3	87	18
HL6343G/44G	R080-0403-01N-XXX-R27-L14	274K	281K	.018	3	86	9
HL6347MG/48MG	R100-0403-01T-XXX-R27-L14	75S	265S	.018	3	87	18
HL6501MG	R100-0403-01T-XXX-R27-L14	75S	265S	.018	3	87	18
HL6503MG	R100-0403-01T-XXX-R27-L14	75S	265S	.018	3	87	18
HL6512MG	R100-0403-01T-XXX-R27-L14	75S	265S	.018	3	87	18
HL6513FM	R100-0403-01T-XXX-R27-L14	75S	265S	.018	3	87	18
HL6515MG	R100-0403-01T-XXX-R27-L14	75S	265S	.018	3	87	18
HL6525FM	R100-0403-01T-XXX-R27-L14	75S	265S	.018	3	87	18
HL6526FM	R100-0403-01T-XXX-R27-L14	75S	265S	.018	3	87	18
HL6530MG	R100-0403-01T-XXX-R27-L14	75S	265S	.018	3	87	18
HL6535MG	R100-0403-01T-XXX-R27-L14	75S	265S	.018	3	87	18
HL6548FG	R100-0404-01T-XXX-R27-L14	75S	265S	.018	4	88	23
HL6712G	R100-0403-01T-XXX-R27-L14	75S	265S	.018	3	87	18
HL6714G	R080-0403-01N-XXX-R27-L14	274K	281K	.018	3	86	9
HL6724MG	R100-0403-01T-XXX-R27-L14	75S	265S	.018	3	87	18
HL6738MG	R100-0403-01T-XXX-R27-L14	75S	265S	.018	3	87	18
HL7851G	R100-0403-01T-XXX-R27-L14	75S	265S	.018	3	87	18
HL7859MG	R080-0403-01N-XXX-R27-L14	274K	281K	.018	3	86	9
HL8325G	R100-0403-01T-XXX-R27-L14	75S	265S	.018	3	87	18
SLD301V	R100-0403-01T-XXX-R27-L14	75S	265S	.018	3	87	18
SLD302V	R100-0403-01T-XXX-R27-L14	75S	265S	.018	3	87	18
SLD323V	R100-0403-01T-XXX-R27-L14	75S	265S	.018	3	87	18
SLD332V	R100-0403-01T-XXX-R27-L14	75S	265S	.018	3	87	18
SLD33V	R100-0403-01T-XXX-R27-L14	75S	265S	.018	3	87	18

Power Technology, Inc. Sockets							
Power Technology, Inc. Sockets Part Number	Andon Part Number Replace "XXX" w ith Terminal Type	Terminal Type		Pin Ø [in]	Pin Qty.	Page Number	Figure Number
		Thru-Hole	Surface Mount				
LD1001	R100-0403-04N-XXX-R27-L14	75S	265S	.018	3	87	20
LD1032	R100-0403-04N-XXX-R27-L14	75S	265S	.018	3	87	20
LD1074	R100-0403-04N-XXX-R27-L14	75S	265S	.018	3	87	20
LD1080	R080-0403-01N-XXX-R27-L14	274K	281K	.018	3	86	9
LD1084	R080-0403-01N-XXX-R27-L14	274K	281K	.018	3	86	9
LD1086	R080-0403-01N-XXX-R27-L14	274K	281K	.018	3	86	9
LD1159	R100-0403-04N-XXX-R27-L14	75S	265S	.018	3	87	20
LD1167	R100-0403-04N-XXX-R27-L14	75S	265S	.018	3	87	20
LD1177	F500-SP09-01-XXX-R27-L14	433E	285E	.040	9	125	208
LD1181	F500-SP09-01-XXX-R27-L14	433E	285E	.040	9	125	208
LD1182	R080-0403-01N-XXX-R27-L14	274K	281K	.018	3	86	9
LD1183	R080-0403-01N-XXX-R27-L14	274K	281K	.018	3	86	9
LD1187	F500-SP09-01-XXX-R27-L14	433E	285E	.040	9	125	208
LD1200	F500-SP09-01-XXX-R27-L14	433E	285E	.040	9	125	208
LD1202	F500-SP09-01-XXX-R27-L14	433E	285E	.040	9	125	208
LD1212	R100-0403-04N-XXX-R27-L14	75S	265S	.018	3	87	20
LD1219	R080-0403-01N-XXX-R27-L14	274K	281K	.018	3	86	9
LD1220	R100-0403-04N-XXX-R27-L14	75S	265S	.018	3	87	20
LD1227	F500-SP09-01-XXX-R27-L14	433E	285E	.040	9	125	208
LD1231	R100-0403-04N-XXX-R27-L14	75S	265S	.018	3	87	20

Power Technology, Inc. Sockets <i>Continued</i>							
Power Technology, Inc. Sockets Part Number	Andon Part Number Replace "XXX" w ith Terminal Type	Terminal Type		Pin Ø [in]	Pin Qty.	Page Number	Figure Number
		Thru-Hole	Surface Mount				
LD1234	R100-0403-04N-XXX-R27-L14	75S	265S	.018	3	87	20
LD1235	R080-0403-01N-XXX-R27-L14	274K	281K	.018	3	86	9
LD1240	R080-0403-01N-XXX-R27-L14	274K	281K	.018	3	86	9
LD1241	R080-0403-01N-XXX-R27-L14	274K	281K	.018	3	86	9
LD1248	R100-0403-04N-XXX-R27-L14	75S	265S	.018	3	87	20
LD1249	R100-0403-04N-XXX-R27-L14	75S	265S	.018	3	87	20
LD1251	R100-0403-04N-XXX-R27-L14	75S	265S	.018	3	87	20
LD1259	R100-0403-04N-XXX-R27-L14	75S	265S	.018	3	87	20
LD1261	R100-0403-04N-XXX-R27-L14	75S	265S	.018	3	87	20
LD1266	F500-SP09-01-XXX-R27-L14	433E	285E	.040	9	125	208
LD1278	R100-0403-04N-XXX-R27-L14	75S	265S	.018	3	87	20
LD1283	R100-0403-04N-XXX-R27-L14	75S	265S	.018	3	87	20
LD1297	R100-0403-04N-XXX-R27-L14	75S	265S	.018	3	87	20
LD1318	R080-0403-01N-XXX-R27-L14	274K	281K	.018	3	86	9
LD1338	R100-0403-04N-XXX-R27-L14	75S	265S	.018	3	87	20
LD1340	R080-0403-01N-XXX-R27-L14	274K	281K	.018	3	86	9
LD1347	R100-0403-04N-XXX-R27-L14	75S	265S	.018	3	87	20
LD1348	R080-0403-01N-XXX-R27-L14	274K	281K	.018	3	86	9
LD1350	R080-0403-01N-XXX-R27-L14	274K	281K	.018	3	86	9
LD1356	R100-0403-04N-XXX-R27-L14	75S	265S	.018	3	87	20
LD1362	R100-0403-04N-XXX-R27-L14	75S	265S	.018	3	87	20
LD1370	R100-0403-04N-XXX-R27-L14	75S	265S	.018	3	87	20
LD1371	R100-0403-04N-XXX-R27-L14	75S	265S	.018	3	87	20
LD1372	R100-0403-04N-XXX-R27-L14	75S	265S	.018	3	87	20
LD1379	R080-0403-01N-XXX-R27-L14	274K	281K	.018	3	86	9
LD1391	R100-0403-04N-XXX-R27-L14	75S	265S	.018	3	87	20
LD1394	R100-0403-04N-XXX-R27-L14	75S	265S	.018	3	87	20
LD1403	R080-0403-01N-XXX-R27-L14	274K	281K	.018	3	86	9
LD1415	R080-0403-01N-XXX-R27-L14	274K	281K	.018	3	86	9
LD1420	R080-0403-01N-XXX-R27-L14	274K	281K	.018	3	86	9
LD1428	R100-0403-04N-XXX-R27-L14	274K	265S	.018	3	87	20
LD1446	R100-0403-04N-XXX-R27-L14	75S	265S	.018	3	87	20
LD1469	R080-0403-01N-XXX-R27-L14	274K	281	.018	3	86	9
LD1473	R080-0403-01N-XXX-R27-L14	274K	281K	.018	3	86	9
LD1477	R100-0403-04N-XXX-R27-L14	75S	265S	.018	3	87	20
LD1480	R080-0403-01N-XXX-R27-L14	274K	281K	.018	3	86	9
LD1481	R100-0403-04N-XXX-R27-L14	75S	265S	.018	3	87	20
LD1496	R100-0403-04N-XXX-R27-L14	75S	265S	.018	3	87	20
LD1507	R080-0403-01N-XXX-R27-L14	274K	281K	.018	3	86	9
LD1508	R080-0403-01N-XXX-R27-L14	274K	281K	.018	3	86	9
LD1510	R080-0403-01N-XXX-R27-L14	274K	281K	.018	3	86	9
LD1521	R080-0403-01N-XXX-R27-L14	274K	281K	.018	3	86	9
LD1534	R080-0403-01N-XXX-R27-L14	274K	281K	.018	3	86	9
LD1535	R080-0403-01N-XXX-R27-L14	274K	281K	.018	3	86	9
LD1539	R080-0403-01N-XXX-R27-L14	274K	281K	.018	3	86	9
LD1553	R100-0403-04N-XXX-R27-L14	75S	265S	.018	3	87	20
LD1554	R100-0403-04N-XXX-R27-L14	75S	265S	.018	3	87	20
LD1555	R100-0403-04N-XXX-R27-L14	75S	265S	.018	3	87	20
LD1556	R100-0403-04N-XXX-R27-L14	75S	265S	.018	3	87	20
LD1557	R100-0403-04N-XXX-R27-L14	75S	265S	.018	3	87	20
LD1558	R100-0403-04N-XXX-R27-L14	75S	265S	.018	3	87	20
LD1559	R100-0403-04N-XXX-R27-L14	75S	265S	.018	3	87	20
LD1560	R100-0403-04N-XXX-R27-L14	75S	265S	.018	3	87	20
LD1561	R100-0403-04N-XXX-R27-L14	75S	265S	.018	3	87	20
LD1562	R100-0403-04N-XXX-R27-L14	75S	265S	.018	3	87	20

Power Technology, Inc. Sockets <i>Continued</i>							
Power Technology, Inc. Sockets Part Number	Andon Part Number Replace "XXX" w ith Terminal Type	Terminal Type		Pin Ø [in]	Pin Qty.	Page Number	Figure Number
		Thru-Hole	Surface Mount				
LD1563	R100-0403-04N-XXX-R27-L14	75S	265S	.018	3	87	20
LD1564	R100-0403-04N-XXX-R27-L14	75S	265S	.018	3	87	20
LD1565	R100-0403-04N-XXX-R27-L14	75S	265S	.018	3	87	20
LD1566	R100-0403-04N-XXX-R27-L14	75S	265S	.018	3	87	20
LD1567	R100-0403-04N-XXX-R27-L14	75S	265S	.018	3	87	20
LD1568	R100-0403-04N-XXX-R27-L14	75S	265S	.018	3	87	20
LD1569	R100-0403-04N-XXX-R27-L14	75S	265S	.018	3	87	20
LD1570	R100-0403-04N-XXX-R27-L14	75S	265S	.018	3	87	20
LD1571	R100-0403-04N-XXX-R27-L14	75S	265S	.018	3	87	20
LD1572	R100-0403-04N-XXX-R27-L14	75S	265S	.018	3	87	20
LD1573	R100-0403-04N-XXX-R27-L14	75S	265S	.018	3	87	20
LD1574	R100-0403-04N-XXX-R27-L14	75S	265S	.018	3	87	20
LD1575	F500-SP09-01-XXX-R27-L14	433E	285E	.040	9	125	208
LD1576	F500-SP09-01-XXX-R27-L14	433E	285E	.040	9	125	208
LD1577	F500-SP09-01-XXX-R27-L14	433E	285E	.040	9	125	208
LD1578	R080-0403-01N-XXX-R27-L14	274K	281K	.018	3	86	9
LD1580	R100-0403-04N-XXX-R27-L14	75S	265S	.018	3	87	20
LD1581	R100-0403-04N-XXX-R27-L14	75S	265S	.018	3	87	20
LD1585	R080-0403-01N-XXX-R27-L14	274K	281K	.018	3	86	9
LD1586	R100-0403-04N-XXX-R27-L14	75S	265S	.018	3	87	20
LD1589	F500-SP09-01-XXX-R27-L14	433E	285E	.040	9	125	208
LD1594	F500-SP09-01-XXX-R27-L14	433E	285E	.040	9	125	208
LD1596	R080-0403-01N-XXX-R27-L14	274K	281K	.018	3	86	9
LD1598	R080-0403-01N-XXX-R27-L14	274K	281K	.018	3	86	9
LD1599	R100-0403-04N-XXX-R27-L14	75S	265S	.018	3	87	20
LD1600	R100-0403-04N-XXX-R27-L14	75S	265S	.018	3	87	20
LD1617	R100-0403-04N-XXX-R27-L14	75S	265S	.018	3	87	20
LD1618	R100-0403-04N-XXX-R27-L14	75S	265S	.018	3	87	20
LD1619	F500-SP09-01-XXX-R27-L14	433E	285E	.040	9	125	208
LD1623	R080-0403-01N-XXX-R27-L14	274K	281K	.018	3	86	9
LD1627	R100-0403-04N-XXX-R27-L14	75S	265S	.018	3	87	20
LD1630	R080-0403-01N-XXX-R27-L14	274K	281K	.018	3	86	9
LD1633	R100-0403-04N-XXX-R27-L14	75S	265S	.018	3	87	20
LD1634	F500-SP09-01-XXX-R27-L14	433E	285E	.040	9	125	208
LD1635	R100-0403-04N-XXX-R27-L14	75S	265S	.018	3	87	20
LD1637	F500-SP09-01-XXX-R27-L14	433E	285E	.040	9	125	208
LD1638	F500-SP09-01-XXX-R27-L14	433E	285E	.040	9	125	208
LD1639	F500-SP09-01-XXX-R27-L14	433E	285E	.040	9	125	208
LD1640	F500-SP09-01-XXX-R27-L14	433E	285E	.040	9	125	208
LD1641	R100-0403-04N-XXX-R27-L14	75S	265S	.018	3	87	20
LD1642	F500-SP09-01-XXX-R27-L14	433E	285E	.040	9	125	208
LD1643	R080-0403-01N-XXX-R27-L14	211S	384S	.018	3	86	9
LD1646	F500-SP09-01-XXX-R27-L14	433E	285E	.040	9	125	208
LD1647	F500-SP09-01-XXX-R27-L14	433E	285E	.040	9	125	208
LD1648	R080-0403-01N-XXX-R27-L14	274K	281K	.018	3	86	9
LD1649	R080-0403-01N-XXX-R27-L14	274K	281K	.018	3	86	9
LD1650	R080-0403-01N-XXX-R27-L14	274K	281K	.018	3	86	9
LD1658	R080-0403-01N-XXX-R27-L14	274K	281K	.018	3	86	9
LD1682	R080-0403-01N-XXX-R27-L14	274K	281K	.018	3	86	9
LD1686	R100-0403-04N-XXX-R27-L14	75S	265S	.018	3	87	20
LD1687	R100-0403-04N-XXX-R27-L14	75S	265S	.018	3	87	20
LD1691	R080-0403-01N-XXX-R27-L14	274K	281K	.018	3	86	9
LD1693	R080-0403-01N-XXX-R27-L14	274K	281K	.018	3	86	9
LD1705	R080-0403-01N-XXX-R27-L14	274K	281K	.018	3	86	9
LD1709	R100-0403-04N-XXX-R27-L14	75S	265S	.018	3	87	20

Power Technology, Inc. Sockets <i>Continued</i>							
Power Technology, Inc. Sockets Part Number	Andon Part Number Replace "XXX" w ith Terminal Type	Terminal Type		Pin Ø [in]	Pin Qty.	Page Number	Figure Number
		Thru-Hole	Surface Mount				
LD1710	R080-0403-01N-XXX-R27-L14	284K	281K	.018	3	86	9
LD1711	R100-0403-04N-XXX-R27-L14	75S	265S	.018	3	87	20
LD1712	R100-0403-04N-XXX-R27-L14	75S	265S	.018	3	87	20
LD1713	R100-0403-04N-XXX-R27-L14	75S	265S	.018	3	87	20
LD1720	R100-0403-04N-XXX-R27-L14	75S	265S	.018	3	87	20
LD1730	R080-0403-01N-XXX-R27-L14	274K	281K	.018	3	86	9
LD1742	R080-0403-01N-XXX-R27-L14	274K	281K	.018	3	86	9
LD1746	R080-0403-01N-XXX-R27-L14	274K	281K	.018	3	86	9
LD1747	R080-0403-01N-XXX-R27-L14	274K	281K	.018	3	86	9
LD1748	R080-0403-01N-XXX-R27-L14	274K	281K	.018	3	86	9
LD1749	R080-0403-01N-XXX-R27-L14	274K	281K	.018	3	86	9
LD1750	R100-0403-04N-XXX-R27-L14	75S	265S	.018	3	87	20
LD1751	R100-0403-04N-XXX-R27-L14	75S	265S	.018	3	87	20
LD1757	R080-0403-01N-XXX-R27-L14	274K	281K	.018	3	86	9
LD1762	R080-0403-01N-XXX-R27-L14	274K	281K	.018	3	86	9
LD1763	R080-0403-01N-XXX-R27-L14	274K	281K	.018	3	86	9
LD1778	R080-0403-01N-XXX-R27-L14	274K	281K	.018	3	86	9
LD1779	R080-0403-01N-XXX-R27-L14	274K	281K	.018	3	86	9
LD1781	R080-0403-01N-XXX-R27-L14	274K	281K	.018	3	86	9
LD1783	R080-0403-01N-XXX-R27-L14	274K	281K	.018	3	86	9
LD1788	R080-0403-01N-XXX-R27-L14	274K	281K	.018	3	86	9
LD1789	R080-0403-01N-XXX-R27-L14	274K	281K	.018	3	86	9
LD1795	R080-0403-01N-XXX-R27-L14	274K	281K	.018	3	86	9
LD1806	R100-0403-04N-XXX-R27-L14	75S	265S	.018	3	87	20
LD1807	R100-0403-04N-XXX-R27-L14	75S	265S	.018	3	87	20
LD1817	R080-0403-01N-XXX-R27-L14	274K	281K	.018	3	86	9
LD1823	R080-0403-01N-XXX-R27-L14	274K	281K	.018	3	86	9
LD1826	R080-0403-01N-XXX-R27-L14	274K	281K	.018	3	86	9
LD1829	R100-0403-04N-XXX-R27-L14	75S	265S	.018	3	87	20
LD1833	R080-0403-01N-XXX-R27-L14	274K	281K	.018	3	86	9
LD1837	R080-0403-01N-XXX-R27-L14	274K	281K	.018	3	86	9

Princeton Lightwave, Inc. Sockets							
Princeton Lightwave, Inc. Sockets Part Number	Andon Part Number Replace "XXX" w ith Terminal Type	Terminal Type		Pin Ø [in]	Pin Qty.	Page Number	Figure Number
		Thru-Hole	Surface Mount				
PLA-280	R100-SP02-02T-XXX-R27-L14	274K	281K	.018	2	89	30
PLA-200	R100-SP02-02T-XXX-R27-L14	274K	281K	.018	2	89	30
PLA-180	R100-SP02-02T-XXX-R27-L14	274K	281K	.018	2	89	30
PLA-100	R100-SP02-02T-XXX-R27-L14	274K	281K	.018	2	89	30
PGA-300	R100-0403-06T-XXX-R27-L14	75S	265S	.018	3	87	21
PGA-200	F375-SP06-01-XXX-R27-L14	274K	281K	.018	6	123	201

Pro-Wave Electronics Corporation Sockets							
Pro-Wave Electronics Corporation Sockets Part Number	Andon Part Number Replace "XXX" w ith Terminal Type	Terminal Type		Pin Ø [in]	Pin Qty.	Page Number	Figure Number
		Thru-Hole	Surface Mount				
400ST/R120	R330-0402-01T-XXX-R27-L14	433E	285E	.040	2	105	115
400PT/120	R330-0402-01T-XXX-R27-L14	433E	285E	.040	2	105	115
235AC130	R330-0402-01T-XXX-R27-L14	433E	285E	.040	2	105	115
400ST/R100	R200-0402-01T-XXX-R27-L14	01S	93S	.018	2	92	48
400ET/R080	R200-0402-01T-XXX-R27-L14	01S	93S	.018	2	92	48
400EP18A	R200-0402-01T-XXX-R27-L14	01S	93S	.018	2	92	48
400EP18D	R200-0402-01T-XXX-R27-L14	01S	93S	.018	2	92	48
400EP14D	R210-0402-01T-XXX-R27-L14	01S	93S	.018	2	97	77
250ST/R160	R395-0402-01T-XXX-R27-L14	433E	285E	.040	2	108	129

Pro-Wave Electronics Corporation Sockets <i>Continued</i>							
Pro-Wave Electronics Corporation Sockets Part Number	Andon Part Number Replace "XXX" w ith Terminal Type	Terminal Type		Pin Ø [in]	Pin Qty.	Page Number	Figure Number
		Thru-Hole	Surface Mount				
328ST/R160	R395-0402-01T-XXX-R27-L14	433E	285E	.040	2	108	129
400ST/R160	R395-0402-01T-XXX-R27-L14	433E	285E	.040	2	108	129
400WB160	R395-0402-01T-XXX-R27-L14	433E	285E	.040	2	108	129
328ET/R250	R395-0402-01T-XXX-R27-L14	433E	285E	.040	2	108	129
400ET/R180	R395-0402-01T-XXX-R27-L14	433E	285E	.040	2	108	129
400ET/R250	R395-0402-01T-XXX-R27-L14	433E	285E	.040	2	108	129
400PT/160	R395-0402-01T-XXX-R27-L14	433E	285E	.040	2	108	129
200GE180	R398-0402-01T-XXX-R27-L14	436P55	440P55	.060	2	108	131
400EP250	R453-0402-01T-XXX-R27-L14	436P55	440P55	.060	2	112	151
250ST/R180	R465-0402-01T-XXX-R27-L14	436P55	440P55	.060	2	112	152
250ST/R240	R465-0402-01T-XXX-R27-L14	436P55	440P55	.060	2	112	152
328ST/R180	R465-0402-01T-XXX-R27-L14	436P55	440P55	.060	2	112	152

Pyreos Sockets							
Pyreos Sockets Part Number	Andon Part Number Replace "XXX" w ith Terminal Type	Terminal Type		Pin Ø [in]	Pin Qty.	Page Number	Figure Number
		Thru-Hole	Surface Mount				
PY-F1IR-01	R200-0404-01T-XXX-R27-L14	01S	93S	.018	4	94	58
PY-F1IR-02	R200-0404-01T-XXX-R27-L14	01S	93S	.018	4	94	58
PY-ITV-DUAL-T039(3+1)	R200-0404-01T-XXX-R27-L14	01S	93S	.018	4	94	58
PYR-I-QUAD-TO5(7+1)	R200-0808-01T-XXX-R27-L14	75S	265S	.018	8	96	68
PYR-I-SINGLE-TO39(2+1)	R200-0403-03T-XXX-R27-L14	75S	265S	.018	3	93	56

R.P.M.C. Sockets							
R.P.M.C. Sockets Part Number	Andon Part Number Replace "XXX" w ith Terminal Type	Terminal Type		Pin Ø [in]	Pin Qty.	Page Number	Figure Number
		Thru-Hole	Surface Mount				
HL6312G/HL6313G	R100-0403-04N-XXX-R27-L14	75S	265S	.018	3	87	20
HL6314MG/HL6324MG	R080-0403-01N-XXX-R27-L14	274K	281K	.018	3	86	9
HL6316G	R100-0403-04N-XXX-R27-L14	75S	265S	.018	3	87	20
HL6319G/HL6320G	R100-0403-04N-XXX-R27-L14	75S	265S	.018	3	87	20
HL6321G/HL6322G	R100-0403-04N-XXX-R27-L14	75S	265S	.018	3	87	20
HL6325G/HL6326G	R100-0403-04N-XXX-R27-L14	75S	265S	.018	3	87	20
HL6327MG/HL6328MG	R080-0403-01N-XXX-R27-L14	274K	281K	.018	3	86	9
HL6331G/HL6332G	R100-0403-04N-XXX-R27-L14	75S	265S	.018	3	87	20
HL6333MG/HL6334MG	R080-0403-01N-XXX-R27-L14	274K	281K	.018	3	86	9
HL6335G/HL6336G	R100-0403-04N-XXX-R27-L14	75S	265S	.018	3	87	20
HL6340MG/HL6341MG	R080-0403-01N-XXX-R27-L14	274K	281K	.018	3	86	9
HL6343G/HL6344G	R100-0403-04N-XXX-R27-L14	75S	265S	.018	3	87	20
HL6347MG/HL6348MG	R080-0403-01N-XXX-R27-L14	274K	281K	.018	3	86	9
HL6354MG/HL6355MG	R080-0403-01N-XXX-R27-L14	274K	281K	.018	3	86	9
HL6356MG/HL6357MG	R080-0403-01N-XXX-R27-L14	274K	281K	.018	3	86	9
HL6323MG	R080-0403-01N-XXX-R27-L14	274K	281K	.018	3	86	9
HL6358MG/HL6359MG	R080-0403-01N-XXX-R27-L14	274K	281K	.018	3	86	9
HL6395MG/HL6396MG	R080-0403-01N-XXX-R27-L14	274K	281K	.018	3	86	9
HL6360MG/HL6361MG	R080-0403-01N-XXX-R27-L14	274K	281K	.018	3	86	9
HL6362/HL6363MG	R080-0403-01N-XXX-R27-L14	274K	281K	.018	3	86	9
HL6364DG/HL6365DG	R080-0403-01N-XXX-R27-L14	274K	281K	.018	3	86	9
HL6376DG	R080-0403-01N-XXX-R27-L14	274K	281K	.018	3	86	9
HL6388MG	R080-0403-01N-XXX-R27-L14	274K	281K	.018	3	86	9
HL6387TG	R056-0403-01N-XXX-R27-L14	400T4	414T4	.012	3	85	4
HL6366DG/HL6367DG	R080-0403-01N-XXX-R27-L14	274K	281K	.018	3	86	9
HL6378DG	R080-0403-01N-XXX-R27-L14	274K	281K	.018	3	86	9
HL6385DG	R080-0403-01N-XXX-R27-L14	274K	281K	.018	3	86	9
HL6386DG (UD)	R080-0403-01N-XXX-R27-L14	274K	281K	.018	3	86	9
HL6501MG	R080-0403-01N-XXX-R27-L14	274K	281K	.018	3	86	9

R.P.M.C. Sockets Continued

R.P.M.C. Sockets Part Number	Andon Part Number Replace "XXX" w ith Terminal Type	Terminal Type		Pin Ø [in]	Pin Qty.	Page Number	Figure Number
		Thru-Hole	Surface Mount				
HL6512MG	R080-0403-01N-XXX-R27-L14	274K	281K	.018	3	86	9
HL6513FM	R080-0403-01N-XXX-R27-L14	274K	281K	.018	3	86	9
HL6525MG	R080-0403-01N-XXX-R27-L14	274K	281K	.018	3	86	9
HL6526FM	R080-0403-01N-XXX-R27-L14	274K	281K	.018	3	86	9
HL6554MG	R080-0403-01N-XXX-R27-L14	274K	281K	.018	3	86	9
HL6556MG	R080-0403-01N-XXX-R27-L14	274K	281K	.018	3	86	9
HL6557MG	R080-0403-01N-XXX-R27-L14	274K	281K	.018	3	86	9
HL6545MG	R080-0403-01N-XXX-R27-L14	274K	281K	.018	3	86	9
HL6548FG	R100-0404-01N-XXX-R27-L14	75S	265S	.018	4	88	24
HL6553FG	R100-0404-01N-XXX-R27-L14	75S	265S	.018	4	88	24
HL6555G	R100-0404-01N-XXX-R27-L14	75S	265S	.018	4	88	24
HL6714G	R100-0404-01N-XXX-R27-L14	75S	265S	.018	4	88	24
HL6724MG	R080-0403-01N-XXX-R27-L14	274K	281K	.018	3	86	9
HL6740FG	R100-0404-04N-XXX-R27-L14	75S	265S	.018	4	88	24
HL6750MG	R080-0403-01N-XXX-R27-L14	274K	281K	.018	3	86	9
HL6740FG	R100-0404-04N-XXX-R27-L14	75S	265S	.018	4	88	24
HL6750MG	R080-0403-01N-XXX-R27-L14	274K	281K	.018	3	86	9
HL7301MG/HL7302MG	R080-0403-01N-XXX-R27-L14	274K	281K	.018	3	86	9
HL7851G	R100-0403-04N-XXX-R27-L14	75S	265S	.018	3	87	20
HL7852G	R100-0403-04N-XXX-R27-L14	75S	265S	.018	3	87	20
HL8325G	R100-0403-04N-XXX-R27-L14	75S	265S	.018	3	87	20
HL8333G	R100-0403-04N-XXX-R27-L14	75S	265S	.018	3	87	20
HL8334MG	R080-0403-01N-XXX-R27-L14	274K	281K	.018	3	86	9
HL8337MG	R080-0403-01N-XXX-R27-L14	274K	281K	.018	3	86	9
HL8338MG	R080-0403-01N-XXX-R27-L14	274K	281K	.018	3	86	9
HL8335MG	R080-0403-01N-XXX-R27-L14	274K	281K	.018	3	86	9
HL8340MG	R080-0403-01N-XXX-R27-L14	274K	281K	.018	3	86	9
HL8341MG	R080-0403-01N-XXX-R27-L14	274K	281K	.018	3	86	9
HL8342MG	R080-0403-01N-XXX-R27-L14	274K	281K	.018	3	86	9
HL8343MG	R080-0403-01N-XXX-R27-L14	274K	281K	.018	3	86	9
RAXD-785-M5-080S	R080-0403-01N-XXX-R27-L14	274K	281K	.018	3	86	9
RAXD-785-M9-080S	R100-0403-04N-XXX-R27-L14	75S	265S	.018	3	87	20
RAXD-785-M9-150S	R100-0403-04N-XXX-R27-L14	75S	265S	.018	3	87	20
RAXD-808-M9-100S	R100-0403-04N-XXX-R27-L14	75S	265S	.018	3	87	20
RAXD-808-M9-150S	R100-0403-04N-XXX-R27-L14	75S	265S	.018	3	87	20
RAXD-830-M9-050S	R100-0403-04N-XXX-R27-L14	75S	265S	.018	3	87	20
RAXD-830-M9-0100S	R100-0403-04N-XXX-R27-L14	75S	265S	.018	3	87	20
RAXD-830-M9-150S	R100-0403-04N-XXX-R27-L14	75S	265S	.018	3	87	20
RAXD-852-M9-100S	R100-0403-04N-XXX-R27-L14	75S	265S	.018	3	87	20
RAXD-852-M9-150S	R100-0403-04N-XXX-R27-L14	75S	265S	.018	3	87	20
RAXD-905-M5-100S	R080-0403-01N-XXX-R27-L14	274K	281K	.018	3	86	9
RAXD-905-M9-100S	R100-0403-04N-XXX-R27-L14	75S	265S	.018	3	87	20
RAXD-915-M5-200S	R080-0403-01N-XXX-R27-L14	274K	281K	.018	3	86	9
RAXD-915-M9-200S	R100-0403-04N-XXX-R27-L14	75S	265S	.018	3	87	20
RAXD-915-M9-300S	R100-0403-04N-XXX-R27-L14	75S	265S	.018	3	87	20
RAXD-785-M5-080S	R080-0403-01N-XXX-R27-L14	274K	281K	.018	3	86	9
RAXD-785-M9-080S	R100-0403-04N-XXX-R27-L14	75S	265S	.018	3	87	20
RAXD-785-M9-150S	R100-0403-04N-XXX-R27-L14	75S	265S	.018	3	87	20
RAXD-808-M9-100S	R100-0403-04N-XXX-R27-L14	75S	265S	.018	3	87	20
RAXD-808-M9-150S	R100-0403-04N-XXX-R27-L14	75S	265S	.018	3	87	20
RAXD-830-M9-050S	R100-0403-04N-XXX-R27-L14	75S	265S	.018	3	87	20
RAXD-830-M9-0100S	R100-0403-04N-XXX-R27-L14	75S	265S	.018	3	87	20
RAXD-830-M9-150S	R100-0403-04N-XXX-R27-L14	75S	265S	.018	3	87	20
RAXD-852-M9-100S	R100-0403-04N-XXX-R27-L14	75S	265S	.018	3	87	20
RAXD-852-M9-150S	R100-0403-04N-XXX-R27-L14	75S	265S	.018	3	87	20

R.P.M.C. Sockets <i>Continued</i>							
R.P.M.C. Sockets Part Number	Andon Part Number Replace "XXX" w ith Terminal Type	Terminal Type		Pin Ø [in]	Pin Qty.	Page Number	Figure Number
		Thru-Hole	Surface Mount				
RAXD-905-M5-100S	R080-0403-01N-XXX-R27-L14	274K	281K	.018	3	86	9
RAXD-905-M9-100S	R100-0403-04N-XXX-R27-L14	75S	265S	.018	3	87	20
RAXD-915-M5-200S	R080-0403-01N-XXX-R27-L14	274K	281K	.018	3	86	9
RAXD-915-M9-200S	R100-0403-04N-XXX-R27-L14	75S	265S	.018	3	87	20
RAXD-915-M9-300S	R100-0403-04N-XXX-R27-L14	75S	265S	.018	3	87	20
RAXD-940-M9-100S	R100-0403-04N-XXX-R27-L14	75S	265S	.018	3	87	20
RAXD-940-M9-200S	R100-0403-04N-XXX-R27-L14	75S	265S	.018	3	87	20
RAXD-940-M9-300S	R100-0403-04N-XXX-R27-L14	75S	265S	.018	3	87	20
RAXD-980-M9-250S	R100-0403-04N-XXX-R27-L14	75S	265S	.018	3	87	20
RAXD-980-M9-300S	R100-0403-04N-XXX-R27-L14	75S	265S	.018	3	87	20
RAXD-1064-M9-200S	R100-0403-04N-XXX-R27-L14	75S	265S	.018	3	87	20
RAXD-1064-M9-300S	R100-0403-04N-XXX-R27-L14	75S	265S	.018	3	87	20
RAXD-1064-M9-350S	R100-0403-04N-XXX-R27-L14	75S	265S	.018	3	87	20

Sanyo Sockets							
Sanyo Sockets Part Number	Andon Part Number Replace "XXX" w ith Terminal Type	Terminal Type		Pin Ø [in]	Pin Qty.	Page Number	Figure Number
		Thru-Hole	Surface Mount				
DL-3038-013	R100-0403-01T-XXX-R27-L14	75S	265S	.018	3	87	18
DL-3038-023	R100-0403-01T-XXX-R27-L14	75S	265S	.018	3	87	18
DL-3038-033	R100-0403-01T-XXX-R27-L14	75S	265S	.018	3	87	18
DL-3038-034	R100-0403-01T-XXX-R27-L14	75S	265S	.018	3	87	18
DL-3144-007S	R080-0403-01N-XXX-R27-L14	274K	281K	.018	3	86	9
DL-3144-008S	R080-0403-01N-XXX-R27-L14	274K	281K	.018	3	86	9
DL-3146-301S	R080-0403-01N-XXX-R27-L14	274K	281K	.018	3	86	9
DL-3147-031	R080-0403-01N-XXX-R27-L14	274K	281K	.018	3	86	9
DL-3147-060	R080-0403-01N-XXX-R27-L14	274K	281K	.018	3	86	9
DL-3147-085	R080-0403-01N-XXX-R27-L14	274K	281K	.018	3	86	9
DL-3147-160F	R080-0403-01N-XXX-R27-L14	274K	281K	.018	3	86	9
DL-3147-185	R080-0403-01N-XXX-R27-L14	274K	281K	.018	3	86	9
DL-3147-260	R080-0403-01N-XXX-R27-L14	274K	281K	.018	3	86	9
DL-3147-285	R080-0403-01N-XXX-R27-L14	274K	281K	.018	3	86	9
DL-3148-013	R080-0403-01N-XXX-R27-L14	274K	281K	.018	3	86	9
DL-3148-023	R080-0403-01N-XXX-R27-L14	274K	281K	.018	3	86	9
DL-3148-025	R080-0403-01N-XXX-R27-L14	274K	281K	.018	3	86	9
DL-3148-033	R080-0403-01N-XXX-R27-L14	274K	281K	.018	3	86	9
DL-3148-034	R080-0403-01N-XXX-R27-L14	274K	281K	.018	3	86	9
DL-3148-037	R080-0403-01N-XXX-R27-L14	274K	281K	.018	3	86	9
DL-3148-235	R080-0403-01N-XXX-R27-L14	274K	281K	.018	3	86	9
DL-3149-057	R080-0403-01N-XXX-R27-L14	274K	281K	.018	3	86	9
DL-4038-021	R100-0403-01T-XXX-R27-L14	75S	265S	.018	3	87	18
DL-4038-026	R100-0403-01T-XXX-R27-L14	75S	265S	.018	3	87	18
DL-4038-031	R100-0403-01T-XXX-R27-L14	75S	265S	.018	3	87	18
DL-4140-001S	R080-0403-01N-XXX-R27-L14	274K	281K	.018	3	86	9
DL-4146-101S	R080-0403-01N-XXX-R27-L14	274K	281K	.018	3	86	9
DL-4147-062	R080-0403-01N-XXX-R27-L14	274K	281K	.018	3	86	9
DL-4147-162	R080-0403-01N-XXX-R27-L14	274K	281K	.018	3	86	9
DL-4148-021	R080-0403-01N-XXX-R27-L14	274K	281K	.018	3	86	9
DL-4148-031	R080-0403-01N-XXX-R27-L14	274K	281K	.018	3	86	9
DL-4148-131	R080-0403-01N-XXX-R27-L14	274K	281K	.018	3	86	9
DL-5032-001	R100-0403-01T-XXX-R27-L14	75S	265S	.018	3	87	18
DL-5038-021	R100-0403-01T-XXX-R27-L14	75S	265S	.018	3	87	18
DL-5146-101S	R080-0403-01N-XXX-R27-L14	274K	281K	.018	3	86	9
DL-5146-152	R080-0403-01N-XXX-R27-L14	274K	281K	.018	3	86	9
DL-5146-351	R080-0403-01N-XXX-R27-L14	274K	281K	.018	3	86	9
DL-5148-030	R080-0403-01N-XXX-R27-L14	274K	281K	.018	3	86	9

Sanyo Sockets <i>Continued</i>							
Sanyo Sockets Part Number	Andon Part Number Replace "XXX" w ith Terminal Type	Terminal Type		Pin Ø [in]	Pin Qty.	Page Number	Figure Number
		Thru-Hole	Surface Mount				
DL-6147-040	R080-0403-01N-XXX-R27-L14	274K	281K	.018	3	86	9
DL-6147-240	R080-0403-01N-XXX-R27-L14	274K	281K	.018	3	86	9
DL-6148-030	R080-0403-01N-XXX-R27-L14	274K	281K	.018	3	86	9
DL-7032-001	R100-0403-01T-XXX-R27-L14	75S	265S	.018	3	87	18
DL-7140-001S	R080-0403-01N-XXX-R27-L14	274K	281K	.018	3	86	9
DL-7140-201S	R080-0403-01N-XXX-R27-L14	274K	281K	.018	3	86	9
DL-7140-201W	R080-0403-01N-XXX-R27-L14	274K	281K	.018	3	86	9
DL-7141-035A	R080-0403-01N-XXX-R27-L14	274K	281K	.018	3	86	9
DL-7141-035B	R080-0403-01N-XXX-R27-L14	274K	281K	.018	3	86	9
DL-7141-035C	R080-0403-01N-XXX-R27-L14	274K	281K	.018	3	86	9
DL-7146-11S	R080-0403-01N-XXX-R27-L14	274K	281K	.018	3	86	9
DL-7147-201	R080-0403-01N-XXX-R27-L14	274K	281K	.018	3	86	9
DL-7147-261	R080-0403-01N-XXX-R27-L14	274K	281K	.018	3	86	9
DL-8031-031A	R100-0403-01T-XXX-R27-L14	75S	265S	.018	3	87	18
DL-8031-031B	R100-0403-01T-XXX-R27-L14	75S	265S	.018	3	87	18
DL-8031-031C	R100-0403-01T-XXX-R27-L14	75S	265S	.018	3	87	18
DL-8032-001	R100-0403-01T-XXX-R27-L14	75S	265S	.018	3	87	18
DL-8141-002	R080-0403-01N-XXX-R27-L14	274K	281K	.018	3	86	9
DL-8141-035A	R080-0403-01N-XXX-R27-L14	274K	281K	.018	3	86	9
DL-8141-035B	R080-0403-01N-XXX-R27-L14	274K	281K	.018	3	86	9
DL-8141-035C	R080-0403-01N-XXX-R27-L14	274K	281K	.018	3	86	9
DL-8142-201	R080-0403-01N-XXX-R27-L14	274K	281K	.018	3	86	9
DL-LS1037	R100-0403-01T-XXX-R27-L14	75S	265S	.018	3	87	18
DL-LS1148	R080-0403-01N-XXX-R27-L14	274K	281K	.018	3	86	9
DL-LS1155A	R080-0403-01N-XXX-R27-L14	274K	281K	.018	3	86	9
DL-LS1158	R100-0403-01T-XXX-R27-L14	75S	265S	.018	3	87	18
DL-LS1182	R080-0403-01N-XXX-R27-L14	274K	281K	.018	3	86	9
DL-LS2075	R080-0403-01N-XXX-R27-L14	274K	281K	.018	3	86	9
DL-LS5017	R080-0403-01N-XXX-R27-L14	274K	281K	.018	3	86	9

Scitec Instruments, Inc. Sockets							
Scitec Instruments, Inc. Sockets Part Number	Andon Part Number Replace "XXX" w ith Terminal Type	Terminal Type		Pin Ø [in]	Pin Qty.	Page Number	Figure Number
		Thru-Hole	Surface Mount				
2LTA G2	R200-0404-01T-XXX-R27-L14	01S	93S	.018	4	94	58
2LTA G2PC	R400-SP12-02T-XXX-R27-L14	01S	93S	.018	12	111	143
4LTA G2	R400-SP12-02T-XXX-R27-L14	01S	93S	.018	12	111	143
LT 00.5	R200-0403-03T-XXX-R27-L14	01S	93S	.018	3	93	56
LT D1	R200-0403-03T-XXX-R27-L14	01S	93S	.018	3	93	56
LT D2	R200-0403-03T-XXX-R27-L14	01S	93S	.018	3	93	56
LT D2.5	R200-0403-03T-XXX-R27-L14	01S	93S	.018	3	93	56
LT G1.2	R200-0403-03T-XXX-R27-L14	01S	93S	.018	3	93	56
LT G2	R200-0403-03T-XXX-R27-L14	01S	93S	.018	3	93	56
LT G2PC	R200-0403-03T-XXX-R27-L14	01S	93S	.018	3	93	56
LT Q0.5	R200-0403-03T-XXX-R27-L14	01S	93S	.018	3	93	56
LT Q1	R200-0403-03T-XXX-R27-L14	01S	93S	.018	3	93	56
LT Q1.2	R200-0403-03T-XXX-R27-L14	01S	93S	.018	3	93	56
LT Q2	R200-0403-03T-XXX-R27-L14	01S	93S	.018	3	93	56
LTA G1.2	R200-0403-03T-XXX-R27-L14	01S	93S	.018	3	93	56
LTA G2	R200-0403-03T-XXX-R27-L14	01S	93S	.018	3	93	56
LTA G2PC	R200-0403-03T-XXX-R27-L14	01S	93S	.018	3	93	56
LTAI G2	R200-0403-03T-XXX-R27-L14	01S	93S	.018	3	93	56
LTI D1	R200-0403-03T-XXX-R27-L14	01S	93S	.018	3	93	56
LTI D2	R200-0403-03T-XXX-R27-L14	01S	93S	.018	3	93	56
LTI Q0.5	R200-0403-03T-XXX-R27-L14	01S	93S	.018	3	93	56
LTI Q1	R200-0403-03T-XXX-R27-L14	01S	93S	.018	3	93	56

Scitec Instruments, Inc. Sockets <i>Continued</i>							
Scitec Instruments, Inc. Sockets Part Number	Andon Part Number Replace "XXX" w ith Terminal Type	Terminal Type		Pin Ø [in]	Pin Qty.	Page Number	Figure Number
		Thru-Hole	Surface Mount				
LTI Q1.2	R200-0403-03T-XXX-R27-L14	01S	93S	.018	3	93	56
LTI Q2	R200-0403-03T-XXX-R27-L14	01S	93S	.018	3	93	56
LTS D1	R200-0403-03T-XXX-R27-L14	01S	93S	.018	3	93	56
LTS D2	R200-0403-03T-XXX-R27-L14	01S	93S	.018	3	93	56
LTS D2.5	R200-0403-03T-XXX-R27-L14	01S	93S	.018	3	93	56
LTS Q1	R200-0403-03T-XXX-R27-L14	01S	93S	.018	3	93	56
LTS Q1.2	R200-0403-03T-XXX-R27-L14	01S	93S	.018	3	93	56
LTS Q2	R200-0403-03T-XXX-R27-L14	01S	93S	.018	3	93	56
LTSI D1	R200-0403-03T-XXX-R27-L14	01S	93S	.018	3	93	56
LTSI D2	R200-0403-03T-XXX-R27-L14	01S	93S	.018	3	93	56
LTSI Q1	R200-0403-03T-XXX-R27-L14	01S	93S	.018	3	93	56
LTSI Q1.2	R200-0403-03T-XXX-R27-L14	01S	93S	.018	3	93	56
LTSI Q2	R200-0403-03T-XXX-R27-L14	01S	93S	.018	3	93	56
LTSI Q3	R200-0403-03T-XXX-R27-L14	01S	93S	.018	3	93	56
P9217-01	R200-0403-03T-XXX-R27-L14	01S	93S	.018	3	93	56
P9217-02	R200-0403-03T-XXX-R27-L14	01S	93S	.018	3	93	56
P9217-03	R200-0403-03T-XXX-R27-L14	01S	93S	.018	3	93	56
P9217-04	R295-0403-01T-XXX-R27-L14	01S	93S	.018	3	102	102
P9696-02	R200-0403-03T-XXX-R27-L14	01S	93S	.018	3	93	56
P9696-03	R200-0403-03T-XXX-R27-L14	01S	93S	.018	3	93	56
Senko Sockets							
Senko Sockets Part Number	Andon Part Number Replace "XXX" w ith Terminal Type	Terminal Type		Pin Ø [in]	Pin Qty.	Page Number	Figure Number
		Thru-Hole	Surface Mount				
SS1118	R530-0403-01T-XXX-R27-L14	436P55	440P55	.060	3	114	160
Sensor Direct Sockets							
Sensor Direct Sockets Part Number	Andon Part Number Replace "XXX" w ith Terminal Type	Terminal Type		Pin Ø [in]	Pin Qty.	Page Number	Figure Number
		Thru-Hole	Surface Mount				
S+4CO	R530-0403-01N-XXX-R27-L14	436P55	440P55	.060	3	114	161
S+4H2S	R530-0403-01N-XXX-R27-L14	436P55	440P55	.060	3	114	161
S+4OX	R530-SP02-02N-XXX-R27-L14	436P55	440P55	.060	2	115	163
S+7CO	R670-0804-02N-XXX-R27-L14	433E	285E	.040	4	116	171
S+7H2S	R670-0804-02N-XXX-R27-L14	433E	285E	.040	4	116	171
S+7OX	R670-SP02-02N-XXX-R27-L14	433E	285E	.040	2	116	172
S+KGS701	R300-SP03-02T-XXX-R27-L14	436P55	440P55	.060	3	103	106
S+KGS702	R300-SP03-02T-XXX-R27-L14	436P55	440P55	.060	3	103	106
S+KGS703	R300-SP03-02T-XXX-R27-L14	436P55	440P55	.060	3	103	106
Sensor Electronic Technology Sockets							
Sensor Electronic Technology Sockets Part Number	Andon Part Number Replace "XXX" w ith Terminal Type	Terminal Type		Pin Ø [in]	Pin Qty.	Page Number	Figure Number
		Thru-Hole	Surface Mount				
UVTOP-TO-3	F500-SP09-01-XXX-R27-L14	433E	285E	.040	9	125	208
UVTOP-TO-39	R200-0403-03T-XXX-R27-L14	01S	93S	.018	3	93	56
Sensore Electronic GmbH Sockets							
Sensore Electronic GmbH Sockets Part Number	Andon Part Number Replace "XXX" w ith Terminal Type	Terminal Type		Pin Ø [in]	Pin Qty.	Page Number	Figure Number
		Thru-Hole	Surface Mount				
SO-A0-XXX	R400-0804-01T-XXX-R27-L14	295V	439V	.030	4	109	136
SO-B0-XXX	R400-0804-01T-XXX-R27-L14	295V	439V	.030	4	109	136
SO-B1-XXX	R400-0804-01T-XXX-R27-L14	295V	439V	.030	4	109	136
SO-D0-XXX	R400-0804-01T-XXX-R27-L14	295V	439V	.030	4	109	136
SO-D1-XXX	R400-0804-01T-XXX-R27-L14	295V	439V	.030	4	109	136
SO-zz-001	R200-0404-01T-XXX-R27-L14	01S	93S	.018	4	94	58

Sensore Electronic GmbH Sockets <i>Continued</i>							
Sensore Electronic GmbH Sockets Part Number	Andon Part Number Replace "XXX" w ith Terminal Type	Terminal Type		Pin Ø [in]	Pin Qty.	Page Number	Figure Number
		Thru-Hole	Surface Mount				
SO-zz-010	R200-0404-01T-XXX-R27-L14	01S	93S	.018	4	94	58
SO-zz-020	R200-0404-01T-XXX-R27-L14	01S	93S	.018	4	94	58
SO-zz-050	R200-0404-01T-XXX-R27-L14	01S	93S	.018	4	94	58
SO-zz-250	R200-0404-01T-XXX-R27-L14	01S	93S	.018	4	94	58
SO-xx-960	R200-0404-01T-XXX-R27-L14	01S	93S	.018	4	94	58

Sensoric Division of City Technology Sockets							
Sensoric Division of City Technology Sockets Part Number	Andon Part Number Replace "XXX" w ith Terminal Type	Terminal Type		Pin Ø [in]	Pin Qty.	Page Number	Figure Number
		Thru-Hole	Surface Mount				
0139-021-30009	R200-0403-03T-XXX-R27-L14	01S	93S	.018	3	93	56
0139-021-30079	R670-0804-02N-XXX-R27-L14	433E	285E	.040	4	116	171
0139-031-30009	R200-0403-03T-XXX-R27-L14	01S	93S	.018	3	93	56
0139-031-30049	R530-0403-02N-XXX-R27-L14	436P55	440P55	.060	3	114	162
0139-031-30079	R670-0804-02N-XXX-R27-L14	433E	285E	.040	4	116	171
0141-024-30009	R200-0403-03T-XXX-R27-L14	01S	93S	.018	3	93	56
0141-024-30049	R530-0403-02N-XXX-R27-L14	436P55	440P55	.060	3	114	162
0141-024-30079	R670-0804-02N-XXX-R27-L14	433E	285E	.040	4	116	171
0141-124-30009	R200-0403-03T-XXX-R27-L14	01S	93S	.018	3	93	56
0141-124-30049	R530-0403-02N-XXX-R27-L14	436P55	440P55	.060	3	114	162
0141-124-30079	R670-0804-02N-XXX-R27-L14	433E	285E	.040	4	116	171
0145-034-30009	R200-0403-03T-XXX-R27-L14	01S	93S	.018	3	93	56
0145-034-30049	R530-0403-02N-XXX-R27-L14	436P55	440P55	.060	3	114	162
0145-034-30079	R670-0804-02N-XXX-R27-L14	433E	285E	.040	4	116	171
0145-134-30009	R200-0403-03T-XXX-R27-L14	01S	93S	.018	3	93	56
0145-134-30049	R530-0403-02N-XXX-R27-L14	436P55	440P55	.060	3	114	162
0145-134-30079	R670-0804-02N-XXX-R27-L14	433E	285E	.040	4	116	171
0248-024-30009	R200-0403-03T-XXX-R27-L14	01S	93S	.018	3	93	56
0248-024-30049	R530-0403-02N-XXX-R27-L14	436P55	440P55	.060	3	114	162
0248-024-30079	R670-0804-02N-XXX-R27-L14	433E	285E	.040	4	116	171
0248-034-30009	R200-0403-03T-XXX-R27-L14	01S	93S	.018	3	93	56
0248-034-30049	R530-0403-02N-XXX-R27-L14	436P55	440P55	.060	3	114	162
0248-034-30079	R670-0804-02N-XXX-R27-L14	433E	285E	.040	4	116	171
0250-134-30009	R200-0403-03T-XXX-R27-L14	01S	93S	.018	3	93	56
0250-134-30049	R530-0403-02N-XXX-R27-L14	436P55	440P55	.060	3	114	162
0250-134-30079	R670-0804-02N-XXX-R27-L14	433E	285E	.040	4	116	171
0361-034-30009	R200-0403-03T-XXX-R27-L14	01S	93S	.018	3	93	56
0361-034-30049	R530-0403-02N-XXX-R27-L14	436P55	440P55	.060	3	114	162
0361-034-30079	R670-0804-02N-XXX-R27-L14	433E	285E	.040	4	116	171
0364-034-30009	R200-0403-03T-XXX-R27-L14	01S	93S	.018	3	93	56
0364-034-30049	R530-0403-02N-XXX-R27-L14	436P55	440P55	.060	3	114	162
0364-034-30079	R670-0804-02N-XXX-R27-L14	433E	285E	.040	4	116	171
0436-032-30009	R200-0403-03T-XXX-R27-L14	01S	93S	.018	3	93	56
0436-032-30049	R530-0403-02N-XXX-R27-L14	436P55	440P55	.060	3	114	162
0436-032-30079	R670-0804-02N-XXX-R27-L14	433E	285E	.040	4	116	171
0441-032-30009	R200-0403-03T-XXX-R27-L14	01S	93S	.018	3	93	56
0441-032-30049	R530-0403-02N-XXX-R27-L14	436P55	440P55	.060	3	114	162
0441-032-30079	R670-0804-02N-XXX-R27-L14	433E	285E	.040	4	116	171
0731-021-30009	R200-0403-03T-XXX-R27-L14	01S	93S	.018	3	93	56
0731-021-30049	R530-0403-02N-XXX-R27-L14	436P55	440P55	.060	3	114	162
0731-031-30009	R200-0403-03T-XXX-R27-L14	01S	93S	.018	3	93	56
0731-031-30049	R530-0403-02N-XXX-R27-L14	436P55	440P55	.060	3	114	162
0731-031-30079	R670-0804-02N-XXX-R27-L14	433E	285E	.040	4	116	171
0941-031-30009	R200-0403-03T-XXX-R27-L14	01S	93S	.018	3	93	56
0941-031-30049	R530-0403-02N-XXX-R27-L14	436P55	440P55	.060	3	114	162
0941-031-30079	R670-0804-02N-XXX-R27-L14	433E	285E	.040	4	116	171

Sensoric Division of City Technology Sockets *Continued*

Sensoric Division of City Technology Sockets Part Number	Andon Part Number Replace "XXX" with Terminal Type	Terminal Type		Pin Ø [in]	Pin Qty.	Page Number	Figure Number
		Thru-Hole	Surface Mount				
1139-034-30009	R200-0403-03T-XXX-R27-L14	01S	93S	.018	3	93	56
1139-034-30049	R530-0403-02N-XXX-R27-L14	436P55	440P55	.060	3	114	162
1139-034-30079	R670-0804-02N-XXX-R27-L14	433E	285E	.040	4	116	171
1336-932-30009	R200-0403-03T-XXX-R27-L14	01S	93S	.018	3	93	56
1336-932-30049	R530-0403-02N-XXX-R27-L14	436P55	440P55	.060	3	114	162
1336-932-30079	R670-0804-02N-XXX-R27-L14	433E	285E	.040	4	116	171
1431-031-30009	R200-0403-03T-XXX-R27-L14	01S	93S	.018	3	93	56
1431-031-30049	R530-0403-02N-XXX-R27-L14	436P55	440P55	.060	3	114	162
1441-134-30079	R670-0804-02N-XXX-R27-L14	433E	285E	.040	4	116	171
1531-031-30009	R200-0403-03T-XXX-R27-L14	01S	93S	.018	3	93	56
1531-031-30049	R530-0403-02N-XXX-R27-L14	436P55	440P55	.060	3	114	162
1531-031-30079	R670-0804-02N-XXX-R27-L14	433E	285E	.040	4	116	171
1531-231-30009	R200-0403-03T-XXX-R27-L14	01S	93S	.018	3	93	56
1531-231-30049	R530-0403-02N-XXX-R27-L14	436P55	440P55	.060	3	114	162
1531-231-30079	R670-0804-02N-XXX-R27-L14	433E	285E	.040	4	116	171
1639-221-30009	R200-0403-03T-XXX-R27-L14	01S	93S	.018	3	93	56
1639-221-30049	R530-0403-02N-XXX-R27-L14	436P55	440P55	.060	3	114	162
1639-221-30079	R670-0804-02N-XXX-R27-L14	433E	285E	.040	4	116	171
1639-231-30009	R200-0403-03T-XXX-R27-L14	01S	93S	.018	3	93	56
1639-231-30049	R530-0403-02N-XXX-R27-L14	436P55	440P55	.060	3	114	162
1639-231-30079	R670-0804-02N-XXX-R27-L14	433E	285E	.040	4	116	171
1731-031-30009	R200-0403-03T-XXX-R27-L14	01S	93S	.018	3	93	56
1731-031-30049	R530-0403-02N-XXX-R27-L14	436P55	440P55	.060	3	114	162
1731-031-30079	R670-0804-02N-XXX-R27-L14	433E	285E	.040	4	116	171
1845-031-30009	R200-0403-03T-XXX-R27-L14	01S	93S	.018	3	93	56
1845-031-30049	R530-0403-02N-XXX-R27-L14	436P55	440P55	.060	3	114	162
1845-031-30079	R670-0804-02N-XXX-R27-L14	433E	285E	.040	4	116	171
1845-932-30009	R200-0403-03T-XXX-R27-L14	01S	93S	.018	3	93	56
1845-932-30049	R530-0403-02N-XXX-R27-L14	436P55	440P55	.060	3	114	162
1845-932-30079	R670-0804-02N-XXX-R27-L14	433E	285E	.040	4	116	171
1854-932-30009	R200-0403-03T-XXX-R27-L14	01S	93S	.018	3	93	56
1854-932-30049	R530-0403-02N-XXX-R27-L14	436P55	440P55	.060	3	114	162
1854-932-30079	R670-0804-02N-XXX-R27-L14	433E	285E	.040	4	116	171
1858-932-30009	R200-0403-03T-XXX-R27-L14	01S	93S	.018	3	93	56
1858-932-30049	R530-0403-02N-XXX-R27-L14	436P55	440P55	.060	3	114	162
1858-932-30079	R670-0804-02N-XXX-R27-L14	433E	285E	.040	4	116	171
1945-034-30009	R200-0403-03T-XXX-R27-L14	01S	93S	.018	3	93	56
1945-034-30049	R530-0403-02N-XXX-R27-L14	436P55	440P55	.060	3	114	162
1945-034-30079	R670-0804-02N-XXX-R27-L14	433E	285E	.040	4	116	171
2131-021-30009	R200-0403-03T-XXX-R27-L14	01S	93S	.018	3	93	56
2131-021-30049	R530-0403-02N-XXX-R27-L14	436P55	440P55	.060	3	114	162
2131-021-30079	R670-0804-02N-XXX-R27-L14	433E	285E	.040	4	116	171
2241-032-30009	R200-0403-03T-XXX-R27-L14	01S	93S	.018	3	93	56
2241-032-30049	R530-0403-02N-XXX-R27-L14	436P55	440P55	.060	3	114	162
2241-032-30079	R670-0804-02N-XXX-R27-L14	433E	285E	.040	4	116	171
2731-031-30009	R200-0403-03T-XXX-R27-L14	01S	93S	.018	3	93	56
2731-031-30049	R530-0403-02N-XXX-R27-L14	436P55	440P55	.060	3	114	162
2731-031-30079	R670-0804-02N-XXX-R27-L14	433E	285E	.040	4	116	171
2731-331-30009	R200-0403-03T-XXX-R27-L14	01S	93S	.018	3	93	56
2731-331-30049	R530-0403-02N-XXX-R27-L14	436P55	440P55	.060	3	114	162
2731-331-30079	R670-0804-02N-XXX-R27-L14	433E	285E	.040	4	116	171

Specdilias Sockets							
Specdilias Sockets Part Number	Andon Part Number Replace "XXX" w ith Terminal Type	Terminal Type		Pin Ø [in]	Pin Qty.	Page Number	Figure Number
		Thru-Hole	Surface Mount				
D-XXXX	R080-0403-01N-XXX-R27-L14	274K	281K	.018	3	86	9
D-XXXX-MTE	R370-SP06-01T-XXX-R27-L14	274K	281K	.018	6	105	117
Q-XXXX-MTE	R375-SP16-02T-XXX-R27-L14	441V	442V	.030	16	107	126
QF-XXXX-GMP-MTE (6 PIN)	R370-SP06-01T-XXX-R27-L14	274K	281K	.018	6	105	117
QF-XXXX-GMP-MTE (16 PIN)	R375-SP16-02T-XXX-R27-L14	441V	442V	.030	16	107	126
V-763-MTE-24XL	R375-SP16-02T-XXX-R27-L14	441V	442V	.030	16	107	126
V-763-OXY	R100-0403-01T-XXX-R27-L14	75S	265S	.018	3	87	18
V-763-OXY-MTE	R200-0806-02T-XXX-R27-L14	75S	265S	.018	6	95	63
V-850-GMP	R100-0403-01T-XXX-R27-L14	75S	265S	.018	3	87	18

Spectrum Detector, Inc. Sockets							
Spectrum Detector, Inc. Sockets Part Number	Andon Part Number Replace "XXX" w ith Terminal Type	Terminal Type		Pin Ø [in]	Pin Qty.	Page Number	Figure Number
		Thru-Hole	Surface Mount				
SPC-1H-T08	R430-1008-01T-XXX-R27-L14	295V	439V	.030	8	111	144
SPC-1-T05	R230-0808-01T-XXX-R27-L14	75S	265S	.018	8	99	86
SPC-2H-T08	R430-1008-01T-XXX-R27-L14	295V	439V	.030	8	111	144
SPC-2-T05	R230-0808-01T-XXX-R27-L14	75S	265S	.018	8	99	86
SPC-3H-T08	R430-1008-01T-XXX-R27-L14	295V	439V	.030	8	111	144
SPC-3-T05	R230-0808-01T-XXX-R27-L14	75S	265S	.018	8	99	86
SPC-5H-T08	R430-1008-01T-XXX-R27-L14	295V	439V	.030	8	111	144
SPC-5-T05	R230-0808-01T-XXX-R27-L14	75S	265S	.018	8	99	86
SPC-9H-T08	R430-1008-01T-XXX-R27-L14	295V	439V	.030	8	111	144
SPC-9-T05	R230-0808-01T-XXX-R27-L14	75S	265S	.018	8	99	86
SPH-11-T05	R230-0808-01T-XXX-R27-L14	75S	265S	.018	8	99	86
SPH-11-T08	R430-1008-01T-XXX-R27-L14	295V	439V	.030	8	111	144
SPH-12-T05	R230-0808-01T-XXX-R27-L14	75S	265S	.018	8	99	86
SPH-12-T08	R430-1008-01T-XXX-R27-L14	295V	439V	.030	8	111	144
SPH-13-T05	R230-0808-01T-XXX-R27-L14	75S	265S	.018	8	99	86
SPH-13-T08	R430-1008-01T-XXX-R27-L14	295V	439V	.030	8	111	144
SPH-15-T05	R230-0808-01T-XXX-R27-L14	75S	265S	.018	8	99	86
SPH-15-T08	R430-1008-01T-XXX-R27-L14	295V	439V	.030	8	111	144
SPH-19-T05	R230-0808-01T-XXX-R27-L14	75S	265S	.018	8	99	86
SPH-19-T08	R430-1008-01T-XXX-R27-L14	295V	439V	.030	8	111	144
SPH-21-T05	R230-0808-01T-XXX-R27-L14	75S	265S	.018	8	99	86
SPH-21-T08	R430-1008-01T-XXX-R27-L14	295V	439V	.030	8	111	144
SPH-22-T05	R230-0808-01T-XXX-R27-L14	75S	265S	.018	8	99	86
SPH-22-T08	R430-1008-01T-XXX-R27-L14	295V	439V	.030	8	111	144
SPH-23-T05	R230-0808-01T-XXX-R27-L14	75S	265S	.018	8	99	86
SPH-23-T08	R430-1008-01T-XXX-R27-L14	295V	439V	.030	8	111	144
SPH-25-T05	R230-0808-01T-XXX-R27-L14	75S	265S	.018	8	99	86
SPH-25-T08	R430-1008-01T-XXX-R27-L14	295V	439V	.030	8	111	144
SPH-29-T05	R230-0808-01T-XXX-R27-L14	75S	265S	.018	8	99	86
SPH-29-T08	R430-1008-01T-XXX-R27-L14	295V	439V	.030	8	111	144
SPH-31-T05	R230-0808-01T-XXX-R27-L14	75S	265S	.018	8	99	86
SPH-31-T08	R430-1008-01T-XXX-R27-L14	295V	439V	.030	8	111	144
SPH-32-T05	R230-0808-01T-XXX-R27-L14	75S	265S	.018	8	99	86
SPH-32-T08	R430-1008-01T-XXX-R27-L14	295V	439V	.030	8	111	144
SPH-33-T05	R230-0808-01T-XXX-R27-L14	75S	265S	.018	8	99	86
SPH-33-T08	R430-1008-01T-XXX-R27-L14	295V	439V	.030	8	111	144
SPH-35-T05	R230-0808-01T-XXX-R27-L14	75S	265S	.018	8	99	86
SPH-35-T08	R430-1008-01T-XXX-R27-L14	295V	439V	.030	8	111	144
SPH-39-T05	R230-0808-01T-XXX-R27-L14	75S	265S	.018	8	99	86
SPH-39-T08	R430-1008-01T-XXX-R27-L14	295V	439V	.030	8	111	144

Sony Sockets							
Sony Sockets Part Number	Andon Part Number Replace "XXX" w ith Terminal Type	Terminal Type		Pin Ø [in]	Pin Qty.	Page Number	Figure Number
		Thru-Hole	Surface Mount				
SLD1332V	R100-0403-01N-XXX-R27-L14	75S	265S	.018	3	87	19
SLD301V	R100-0403-01N-XXX-R27-L14	75S	265S	.018	3	87	19
SLD302V	R100-0403-01N-XXX-R27-L14	75S	265S	.018	3	87	19
SLD322V	R100-0403-01N-XXX-R27-L14	75S	265S	.018	3	87	19
SLD323V	R100-0403-01N-XXX-R27-L14	75S	265S	.018	3	87	19
SLD333V	R100-0403-01N-XXX-R27-L14	75S	265S	.018	3	87	19

Teledyne Relays Sockets							
Teledyne Relays Sockets Part Number	Andon Part Number Replace "XXX" w ith Terminal Type	Terminal Type		Pin Ø [in]	Pin Qty.	Page Number	Figure Number
		Thru-Hole	Surface Mount				
311	R200-SP05-01T-XXX-R27-L14	211S	265S	.018	5	97	75
331	R200-SP05-01T-XXX-R27-L14	211S	265S	.018	5	97	75
411	R200-SP05-01T-XXX-R27-L14	211S	265S	.018	5	97	75
411D	R200-SP05-01T-XXX-R27-L14	211S	265S	.018	5	97	75
411DD	R200-SP05-01T-XXX-R27-L14	211S	265S	.018	5	97	75

Tyco Electronics/LDI Sensor Sockets							
Teledyne Relays Sockets Part Number	Andon Part Number Replace "XXX" w ith Terminal Type	Terminal Type		Pin Ø [in]	Pin Qty.	Page Number	Figure Number
		Thru-Hole	Surface Mount				
CVD40-9mm	R100-0403-04N-XXX-R27-L14	75S	265S	.018	3	87	20
CVD40-TO-5T	R200-SP02-03-XXX-R27-L14	75S	265S	.018	2	96	72
CVD40-TO-18T	R100-0402-06T-XXX-R27-L14	75S	265S	.018	2	87	17
CVD60-9mm	R100-0403-04N-XXX-R27-L14	75S	265S	.018	3	87	20
CVD60-TO-5T	R200-SP02-03-XXX-R27-L14	75S	265S	.018	2	96	72
CVD60-TO-18T	R100-0402-06T-XXX-R27-L14	75S	265S	.018	2	87	17
CVD62-9mm	R100-0403-04N-XXX-R27-L14	75S	265S	.018	3	87	20
CVD62-TO-5T	R200-SP02-03-XXX-R27-L14	75S	265S	.018	2	96	72
CVD62-TO-18T	R100-0402-06T-XXX-R27-L14	75S	265S	.018	2	87	17
CVD65-9mm	R100-0403-04N-XXX-R27-L14	75S	265S	.018	3	87	20
CVD65-TO-5T	R200-SP02-03-XXX-R27-L14	75S	265S	.018	2	96	72
CVD65-TO-18T	R100-0402-06T-XXX-R27-L14	75S	265S	.018	2	87	17
CVD68-9mm	R100-0403-04N-XXX-R27-L14	75S	265S	.018	3	87	20
CVD67-TO-5T	R200-SP02-03-XXX-R27-L14	75S	265S	.018	2	96	72
CVD67-TO-18T	R100-0402-06T-XXX-R27-L14	75S	265S	.018	2	87	17
CVD90-9mm	R100-0403-04N-XXX-R27-L14	75S	265S	.018	3	87	20
CVD68-TO-5T	R200-SP02-03-XXX-R27-L14	75S	265S	.018	2	96	72
CVD68-TO-18T	R100-0402-06T-XXX-R27-L14	75S	265S	.018	2	87	17
CVD93-9mm	R100-0403-04N-XXX-R27-L14	75S	265S	.018	3	87	20
CVD90-TO-5T	R200-SP02-03-XXX-R27-L14	75S	265S	.018	2	96	72
CVD90-TO-18T	R100-0402-06T-XXX-R27-L14	75S	265S	.018	2	87	17
CVD95-9mm	R100-0403-04N-XXX-R27-L14	75S	265S	.018	3	87	20
CVD93-TO-5T	R200-SP02-03-XXX-R27-L14	75S	265S	.018	2	96	72
CVD93-TO-18T	R100-0402-06T-XXX-R27-L14	75S	265S	.018	2	87	17
CVD97-9mm	R100-0403-04N-XXX-R27-L14	75S	265S	.018	3	87	20
CVD95-TO-5T	R200-SP02-03-XXX-R27-L14	75S	265S	.018	2	96	72
CVD95-TO-18T	R100-0402-06T-XXX-R27-L14	75S	265S	.018	2	87	17
CVD97-TO-5T	R200-SP02-03-XXX-R27-L14	75S	265S	.018	2	96	72
CVD97-TO-18T	R100-0402-06T-XXX-R27-L14	75S	265S	.018	2	87	17
CVD163-9mm	R100-0403-04N-XXX-R27-L14	75S	265S	.018	3	87	20
CVD163-TO-5T	R200-SP02-03-XXX-R27-L14	75S	265S	.018	2	96	72
CVD163-TO-18T	R100-0402-06T-XXX-R27-L14	75S	265S	.018	2	87	17
CVD165-9mm	R100-0403-04N-XXX-R27-L14	75S	265S	.018	3	87	20
CVD165-TO-5T	R200-SP02-03-XXX-R27-L14	75S	265S	.018	2	96	72
CVD165-TO-18T	R100-0402-06T-XXX-R27-L14	75S	265S	.018	2	87	17

Tyco Electronics/LDI Sensor Sockets *Continued*

Teledyne Relays Sockets Part Number	Andon Part Number Replace "XXX" w ith Terminal Type	Terminal Type		Pin Ø [in]	Pin Qty.	Page Number	Figure Number
		Thru-Hole	Surface Mount				
CVD166-9mm	R100-0403-04N-XXX-R27-L14	75S	265S	.018	3	87	20
CVD166-TO-5T	R200-SP02-03-XXX-R27-L14	75S	265S	.018	2	96	72
CVD166-TO-18T	R100-0402-06T-XXX-R27-L14	75S	265S	.018	2	87	17
CVD167-9mm	R100-0403-04N-XXX-R27-L14	75S	265S	.018	3	87	20
CVD167-TO-5T	R200-SP02-03-XXX-R27-L14	75S	265S	.018	2	96	72
CVD167-TO-18T	R100-0402-06T-XXX-R27-L14	75S	265S	.018	2	87	17
CVD192-TO-5T	R200-SP02-03-XXX-R27-L14	75S	265S	.018	2	96	72
CVD192-TO-18T	R100-0402-06T-XXX-R27-L14	75S	265S	.018	2	87	17
CVD193-9mm	R100-0403-04N-XXX-R27-L14	75S	265S	.018	3	87	20
CVD193-TO-5T	R200-SP02-03-XXX-R27-L14	75S	265S	.018	2	96	72
CVD193-TO-18T	R100-0402-06T-XXX-R27-L14	75S	265S	.018	2	87	17
CVD195-9mm	R100-0403-04N-XXX-R27-L14	75S	265S	.018	3	87	20
CVD195-TO-5T	R200-SP02-03-XXX-R27-L14	75S	265S	.018	2	96	72
CVD195-TO-18T	R100-0402-06T-XXX-R27-L14	75S	265S	.018	2	87	17
CVD197-9mm	R100-0403-04N-XXX-R27-L14	75S	265S	.018	3	87	20
CVD197-TO-5T	R200-SP02-03-XXX-R27-L14	75S	265S	.018	2	96	72
CVD197-TO-18T	R100-0402-06T-XXX-R27-L14	75S	265S	.018	2	87	17
CVL2S57-9mm	R100-0403-04N-XXX-R27-L14	75S	265S	.018	3	87	20
CVL2S57-TO-5T	R200-SP02-03-XXX-R27-L14	75S	265S	.018	2	96	72
CVL2S57-TO-18T	R100-0402-06T-XXX-R27-L14	75S	265S	.018	2	87	17
CVL3S57-9mm	R100-0403-04N-XXX-R27-L14	75S	265S	.018	3	87	20
CVL3S57-TO-5T	R200-SP02-03-XXX-R27-L14	75S	265S	.018	2	96	72
CVL3S57-TO-18T	R100-0402-06T-XXX-R27-L14	75S	265S	.018	2	87	17
CVL4S57-9mm	R100-0403-04N-XXX-R27-L14	75S	265S	.018	3	87	20
CVL4S57-TO-5T	R200-SP02-03-XXX-R27-L14	75S	265S	.018	2	96	72
CVL4S57-TO-18T	R100-0402-06T-XXX-R27-L14	75S	265S	.018	2	87	17
CVL57-9mm	R100-0403-04N-XXX-R27-L14	75S	265S	.018	3	87	20
CVL57-TO-5T	R200-SP02-03-XXX-R27-L14	75S	265S	.018	2	96	72
CVL57-TO-18T	R100-0402-06T-XXX-R27-L14	75S	265S	.018	2	87	17
CWR-635	F500-SP09-01-XXX-R27-L14	433E	285E	.040	9	125	208
CWR-650	F500-SP09-01-XXX-R27-L14	433E	285E	.040	9	125	208
CWXXX-90-XX	R100-0403-04N-XXX-R27-L14	75S	265S	.018	3	87	20
CWXXX-T3-XX	R100-0403-04N-XXX-R27-L14	75S	265S	.018	3	87	20
LDFC SERIES	R100-0404-02T-XXX-R27-L14	75S	265S	.018	4	88	26
LPD3080-PM1	R100-SP03-02T-XXX-R27-L14	274K	281K	.018	3	89	32
LPD3080-PM2	R100-SP03-02T-XXX-R27-L14	274K	281K	.018	3	89	32
LPD3080-PM3	R100-SP03-02T-XXX-R27-L14	274K	281K	.018	3	89	32
LPD3080-PM4	R100-SP03-02T-XXX-R27-L14	274K	281K	.018	3	89	32

Vigo System S.A. Sockets

Vigo System S.A. Sockets Part Number	Andon Part Number Replace "XXX" w ith Terminal Type	Terminal Type		Pin Ø [in]	Pin Qty.	Page Number	Figure Number
		Thru-Hole	Surface Mount				
PC-10.6-3	R200-0403-02T-XXX-R27-L14	01S	93S	.018	3	93	54
PC-10.6-5	R200-0403-02T-XXX-R27-L14	01S	93S	.018	3	93	54
PC-10.6-6	R200-0403-02T-XXX-R27-L14	01S	93S	.018	3	93	54
PC-2TE-10.6	R400-SP12-01T-XXX-R27-L14	01S	93S	.018	12	110	142
PC-2TE-12	R400-SP12-01T-XXX-R27-L14	01S	93S	.018	12	110	142
PC-2TE-4	R400-SP12-01T-XXX-R27-L14	01S	93S	.018	12	110	142
PC-2TE-5	R400-SP12-01T-XXX-R27-L14	01S	93S	.018	12	110	142
PC-2TE-6	R400-SP12-01T-XXX-R27-L14	01S	93S	.018	12	110	142
PC-2TE-9	R400-SP12-01T-XXX-R27-L14	01S	93S	.018	12	110	142
PC-4	R200-0403-02T-XXX-R27-L14	01S	93S	.018	3	93	54
PC-5	R200-0403-02T-XXX-R27-L14	01S	93S	.018	3	93	54
PC-6	R200-0403-02T-XXX-R27-L14	01S	93S	.018	3	93	54
PC-9	R200-0403-02T-XXX-R27-L14	01S	93S	.018	3	93	54

Vigo System S.A. Sockets <i>Continued</i>							
Vigo System S.A. Sockets Part Number	Andon Part Number Replace "XXX" w ith Terminal Type	Terminal Type		Pin Ø [in]	Pin Qty.	Page Number	Figure Number
		Thru-Hole	Surface Mount				
PCI-10.6	R200-0403-02T-XXX-R27-L14	01S	93S	.018	3	93	54
PCI-10.6-10	R200-0403-02T-XXX-R27-L14	01S	93S	.018	3	93	54
PCI-10.6-2	R200-0403-02T-XXX-R27-L14	01S	93S	.018	3	93	54
PCI-10.6-5	R200-0403-02T-XXX-R27-L14	01S	93S	.018	3	93	54
PCI-2TE-10.6	R400-SP12-01T-XXX-R27-L14	01S	93S	.018	12	110	142
PCI-2TE-12	R400-SP12-01T-XXX-R27-L14	01S	93S	.018	12	110	142
PCI-2TE-13	R400-SP12-01T-XXX-R27-L14	01S	93S	.018	12	110	142
PCI-2TE-4	R400-SP12-01T-XXX-R27-L14	01S	93S	.018	12	110	142
PCI-2TE-5	R400-SP12-01T-XXX-R27-L14	01S	93S	.018	12	110	142
PCI-2TE-6	R400-SP12-01T-XXX-R27-L14	01S	93S	.018	12	110	142
PCI-2TE-9	R400-SP12-01T-XXX-R27-L14	01S	93S	.018	12	110	142
PCI-4	R200-0403-02T-XXX-R27-L14	01S	93S	.018	3	93	54
PCI-5	R200-0403-02T-XXX-R27-L14	01S	93S	.018	3	93	54
PCI-6	R200-0403-02T-XXX-R27-L14	01S	93S	.018	3	93	54
PCI-9	R200-0403-02T-XXX-R27-L14	01S	93S	.018	3	93	54
PE-2TE-6	R400-SP12-01T-XXX-R27-L14	01S	93S	.018	12	110	142
PV-2TE-10.6	R400-SP12-01T-XXX-R27-L14	01S	93S	.018	12	110	142
PV-2TE-3	R400-SP12-01T-XXX-R27-L14	01S	93S	.018	12	110	142
PV-2TE-4	R400-SP12-01T-XXX-R27-L14	01S	93S	.018	12	110	142
PV-2TE-5	R400-SP12-01T-XXX-R27-L14	01S	93S	.018	12	110	142
PV-2TE-8	R400-SP12-01T-XXX-R27-L14	01S	93S	.018	12	110	142
PV-3	R200-0403-02T-XXX-R27-L14	01S	93S	.018	3	93	54
PV-4	R200-0403-02T-XXX-R27-L14	01S	93S	.018	3	93	54
PV-5	R200-0403-02T-XXX-R27-L14	01S	93S	.018	3	93	54
PV-6	R200-0403-02T-XXX-R27-L14	01S	93S	.018	3	93	54
PV-8	R200-0403-02T-XXX-R27-L14	01S	93S	.018	3	93	54
PVI-2TE-10.6	R400-SP12-01T-XXX-R27-L14	01S	93S	.018	12	110	142
PVI-2TE-3	R400-SP12-01T-XXX-R27-L14	01S	93S	.018	12	110	142
PVI-2TE-4	R400-SP12-01T-XXX-R27-L14	01S	93S	.018	12	110	142
PVI-2TE-5	R400-SP12-01T-XXX-R27-L14	01S	93S	.018	12	110	142
PVI-2TE-6	R400-SP12-01T-XXX-R27-L14	01S	93S	.018	12	110	142
PVI-2TE-8	R400-SP12-01T-XXX-R27-L14	01S	93S	.018	12	110	142
PVI-3	R200-0403-02T-XXX-R27-L14	01S	93S	.018	3	93	54
PVI-4	R200-0403-02T-XXX-R27-L14	01S	93S	.018	3	93	54
PVI-5	R200-0403-02T-XXX-R27-L14	01S	93S	.018	3	93	54
PVI-6	R200-0403-02T-XXX-R27-L14	01S	93S	.018	3	93	54
PVI-8	R200-0403-02T-XXX-R27-L14	01S	93S	.018	3	93	54
PVM-10.6-10	R200-0403-02T-XXX-R27-L14	01S	93S	.018	3	93	54
PVM-10.6-3	R200-0403-02T-XXX-R27-L14	01S	93S	.018	3	93	54
PVM-10.6-5	R200-0403-02T-XXX-R27-L14	01S	93S	.018	3	93	54
PVM-10.6-8	R200-0403-02T-XXX-R27-L14	01S	93S	.018	3	93	54
PVM-2TE-10.6-2	R400-SP12-01T-XXX-R27-L14	01S	93S	.018	12	110	142
PVM-2TE-10.6-4	R400-SP12-01T-XXX-R27-L14	01S	93S	.018	12	110	142
PVM-2TE-8	R400-SP12-01T-XXX-R27-L14	01S	93S	.018	12	110	142
PVM-8	R200-0403-02T-XXX-R27-L14	01S	93S	.018	3	93	54
PVMI-10.6	R200-0403-02T-XXX-R27-L14	01S	93S	.018	3	93	54
PVMI-2TE	R400-SP12-01T-XXX-R27-L14	01S	93S	.018	12	110	142
PVMI-2TE-10.6	R400-SP12-01T-XXX-R27-L14	01S	93S	.018	12	110	142
PVMI-8	R200-0403-02T-XXX-R27-L14	01S	93S	.018	3	93	54
Voxtel Sockets							
Voxtel Sockets Part Number	Andon Part Number Replace "XXX" w ith Terminal Type	Terminal Type		Pin Ø [in]	Pin Qty.	Page Number	Figure Number
		Thru-Hole	Surface Mount				
ROP1-0JAC Series	R400-SP12-02T-XXX-R27-L14	01S	93S	.018	12	111	143

Voxtel Sockets <i>Continued</i>							
Voxtel Sockets Part Number	Andon Part Number Replace "XXX" w ith Terminal Type	Terminal Type		Pin Ø [in]	Pin Qty.	Page Number	Figure Number
		Thru-Hole	Surface Mount				
RDI-1XJ0C Series	R400-SP12-02T-XXX-R27-L14	01S	93S	.018	12	111	143
SQBF-EKAA	R375-SP06-01T-XXX-R27-L14	75S	265S	.018	6	106	121
VFI-1000 Series	R100-SP03-01T-XXX-R27-L14	274K	281K	.018	3	89	31
VGE1-GKAA	R375-SP06-01T-XXX-R27-L14	75S	265S	.018	6	106	121

Winsen Sockets							
Winsensor Sockets Part Number	Andon Part Number Replace "XXX" w ith Terminal Type	Terminal Type		Pin Ø [in]	Pin Qty.	Page Number	Figure Number
		Thru-Hole	Surface Mount				
MC102	R230-0404-02T-XXX-R27-L14	295V	439V	.030	4	99	84
MC105	R230-0404-02T-XXX-R27-L14	295V	439V	.030	4	99	84
MC106	R375-0806-01T-XXX-R27-L14	433E	285E	.040	6	106	120
MC108	R375-0806-01T-XXX-R27-L14	433E	285E	.040	6	106	120
MC113	R315-SP04-01-XXX-R27-L14	01S	93S	.018	4	105	114
MC113C	R480-SP04-01-XXX-R27-L14	295V	439V	.030	4	113	153
MC114	R315-SP04-01-XXX-R27-L14	01S	93S	.018	4	105	114
MC114C	R480-SP04-01-XXX-R27-L14	295V	439V	.030	4	113	153
MC117	R375-0806-01T-XXX-R27-L14	433E	285E	.040	6	106	120
MC119	R315-SP04-01-XXX-R27-L14	01S	93S	.018	4	105	114
MC119C	R480-SP04-01-XXX-R27-L14	295V	439V	.030	4	113	153
MC201	R531-SP04-01-XXX-R27-L14	01S	93S	.018	4	115	166
MC203	R550-0803-01T-XXX-R27-L14	436P55	440P55	.060	3	115	167
MD61	R531-SP04-01-XXX-R27-L14	01S	93S	.018	4	115	166
ME2-CO	R530-SP02-02N-XXX-R27-L14	436P55	440P55	.060	2	115	163
ME3A-C2H5OH	R787-SP02-01-XXX-R27-L14	436P55	440P55	.060	2	120	185
ME3-Cl2	R550-0803-01T-XXX-R27-L14	436P55	440P55	.060	3	115	167
ME3-CO	R550-0803-01T-XXX-R27-L14	436P55	440P55	.060	3	115	167
ME3-H2	R550-0803-01T-XXX-R27-L14	436P55	440P55	.060	3	115	167
ME3-H2S	R550-0803-01T-XXX-R27-L14	436P55	440P55	.060	3	115	167
ME3-HCl	R550-0803-01T-XXX-R27-L14	436P55	440P55	.060	3	115	167
ME3-NH3	R550-0803-01T-XXX-R27-L14	436P55	440P55	.060	3	115	167
ME3-NO2	R550-0803-01T-XXX-R27-L14	436P55	440P55	.060	3	115	167
ME3-O2	R550-0803-01T-XXX-R27-L14	436P55	440P55	.060	3	115	167
ME3-SO2	R550-0803-01T-XXX-R27-L14	436P55	440P55	.060	3	115	167
ME4-Cl2	R670-0803-01T-XXX-R27-L14	436P55	440P55	.060	3	116	169
ME4-CO	R670-0803-01T-XXX-R27-L14	436P55	440P55	.060	3	116	169
ME4-H2	R670-0803-01T-XXX-R27-L14	436P55	440P55	.060	3	116	169
ME4-H2S	R670-0803-01T-XXX-R27-L14	436P55	440P55	.060	3	116	169
ME4-NH3	R670-0803-01T-XXX-R27-L14	436P55	440P55	.060	3	116	169
ME4-SO2	R670-0803-01T-XXX-R27-L14	436P55	440P55	.060	3	116	169
MH-410D	R526-SP05-01T-XXX-R27-L14	436P55	440P55	.060	5	114	158
MH-440D	R526-SP05-01T-XXX-R27-L14	436P55	440P55	.060	5	114	158
MQ-3	R375-0806-01T-XXX-R27-L14	433E	285E	.040	6	106	120
MQ-4	R375-0806-01T-XXX-R27-L14	433E	285E	.040	6	106	120
MQ-6	R375-0806-01T-XXX-R27-L14	433E	285E	.040	6	106	120
MQ-7	R375-0806-01T-XXX-R27-L14	433E	285E	.040	6	106	120
MQ-9	R375-0806-01T-XXX-R27-L14	433E	285E	.040	6	106	120
MQ131	R375-0806-01T-XXX-R27-L14	433E	285E	.040	6	106	120
MQ135	R375-0806-01T-XXX-R27-L14	433E	285E	.040	6	106	120
MQ136	R375-0806-01T-XXX-R27-L14	433E	285E	.040	6	106	120
MQ137	R375-0806-01T-XXX-R27-L14	433E	285E	.040	6	106	120
MQ214	R173-0402-01T-XXX-R27-L14	01S	93S	.018	2	91	44
MQ303A	R173-0402-01T-XXX-R27-L14	01S	93S	.018	2	91	44

Sensor Socket Footprints

Sockets accept $\pm .003$ [.08] diameter Pin Circles
Sockets may have a notch or tab for orientation purposes

Top View Shown

Units: in[mm]

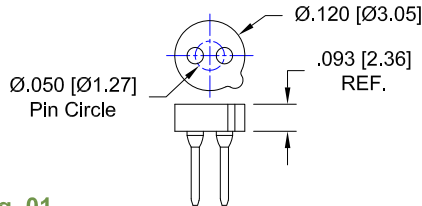


Fig. 01

Thru-Hole: R050-0402-01T-C2-G10-L14
Surface Mount: NOT AVAILABLE



For terminal styles, see page 128

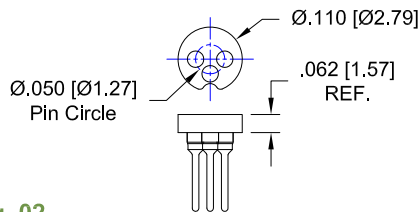


Fig. 02

Thru-Hole: R050-0403-01N-437T-R27-L14
Surface Mount: R050-0403-01N-329T-R27-L14

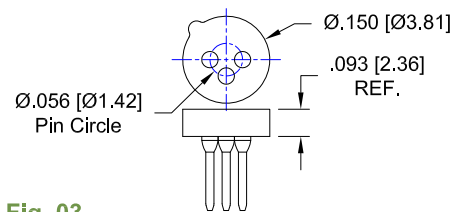


Fig. 03

Thru-Hole: R056-0403-01T-C2-G10-L14
Surface Mount: NOT AVAILABLE

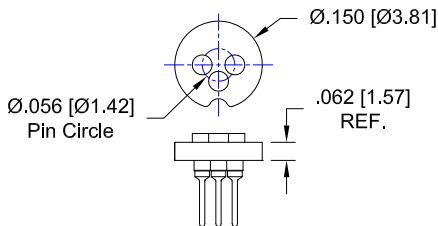


Fig. 04

Thru-Hole: R056-0403-01N-400T4-R27-L14
Surface Mount: R056-0403-01N-414T4-R27-L14

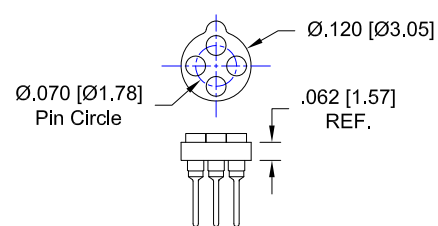


Fig. 05

Thru-Hole: R070-0404-01T-400T4-R27-L14
Surface Mount: R070-0404-01T-414T4-R27-L14

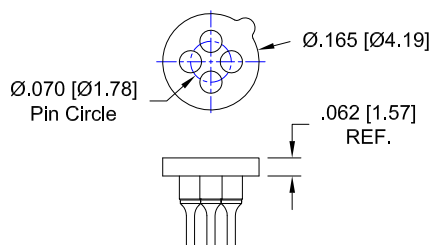


Fig. 06

Thru-Hole: R070-0404-02T-274K-R27-L14
Surface Mount: R070-0404-02T-281K-R27-L14

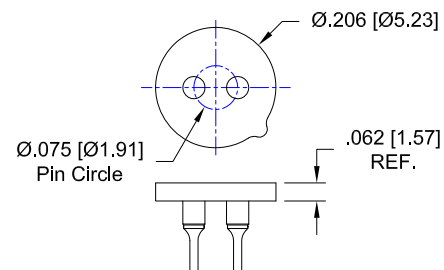


Fig. 07

Thru-Hole: R075-0402-01T-274K-R27-L14
Surface Mount: R075-0402-01T-281K-R27-L14

Sensor Socket Footprints

Sockets accept $\pm .003$ [.08] diameter Pin Circles
Sockets may have a notch or tab for orientation purposes

Top View Shown

Units: in[mm]

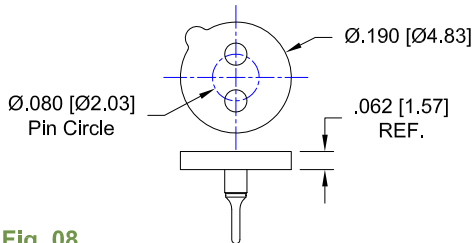


Fig. 08

Thru-Hole: R080-0402-01T-274K-R27-L14
Surface Mount: R080-0402-01T-281K-R27-L14

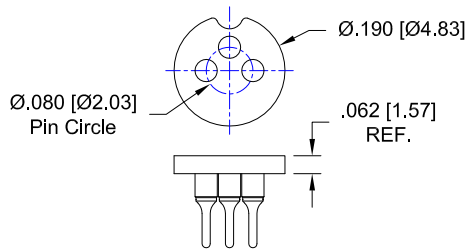


Fig. 09

Thru-Hole: R080-0403-01N-274K-R27-L14
Surface Mount: R080-0403-01N-281K-R27-L14

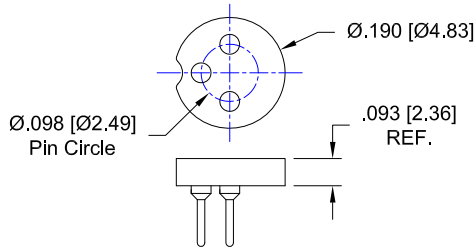


Fig. 11

Thru-Hole: R098-0403-01N-211S-R27-L14
Surface Mount: R098-0403-01N-384S-R27-L14

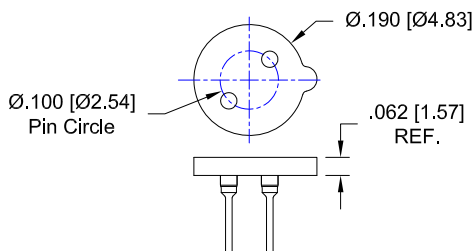


Fig. 13

Thru-Hole: R100-0402-02T-437T-R27-L14
Surface Mount: R100-0402-02T-329T-R27-L14

For terminal styles, see page 128

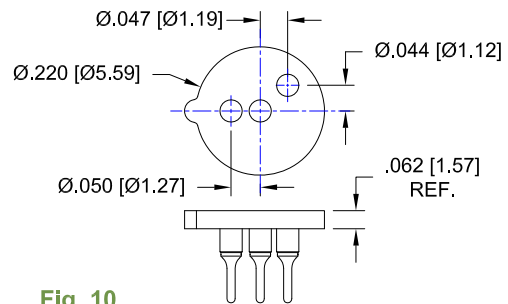


Fig. 10

Thru-Hole: R095-SP03-01T-274K-R27-L14
Surface Mount: R095-SP03-01T-281K-R27-L14

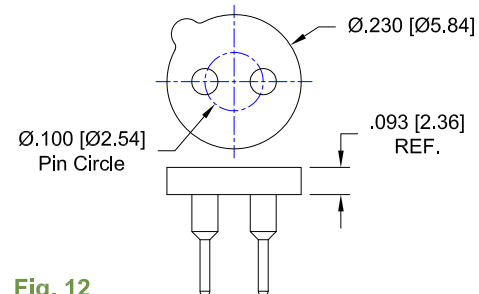


Fig. 12

Thru-Hole: R100-0402-01T-75S-R27-L14
Surface Mount: R100-0402-01T-265S-R27-L14

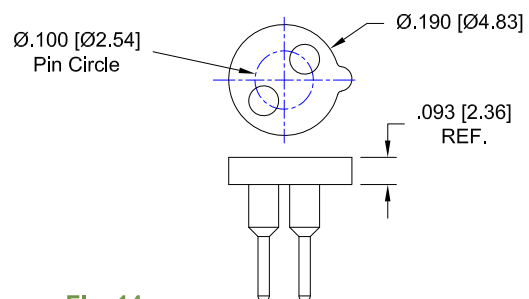


Fig. 14

Thru-Hole: R100-0402-02T-01S-R27-L14
Surface Mount: R100-0402-02T-93S-R27-L14

Sensor Socket Footprints

Sockets accept $\pm .003$ [.08] diameter Pin Circles
Sockets may have a notch or tab for orientation purposes

Top View Shown

Units: in[mm]

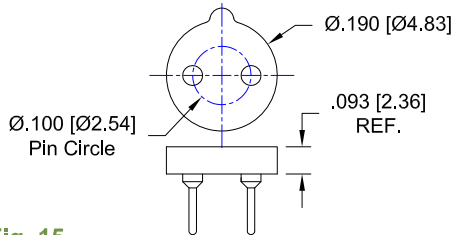


Fig. 15

Thru-Hole: R100-0402-04T-211S-R27-L14
Surface Mount: R100-0402-04T-384S-R27-L14

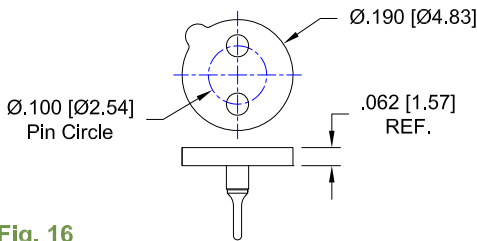


Fig. 16

Thru-Hole: R100-0402-06T-274K-R27-L14
Surface Mount: R100-0402-06T-281K-R27-L14

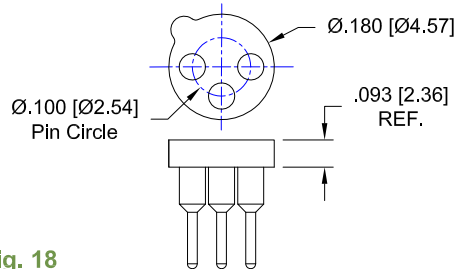


Fig. 18

Thru-Hole: R100-0403-01T-75S-R27-L14
Surface Mount: R100-0403-01T-265S-R27-L14

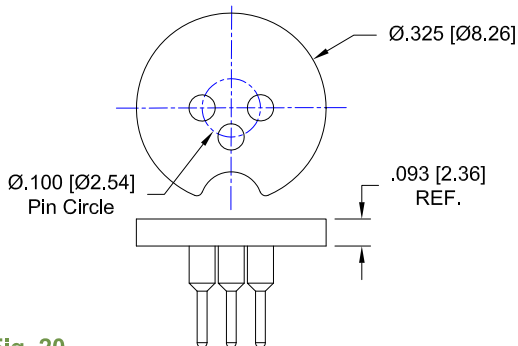


Fig. 20

Thru-Hole: R100-0403-04N-75S-R27-L14
Surface Mount: R100-0403-04N-265S-R27-L14



For terminal styles, see page 128

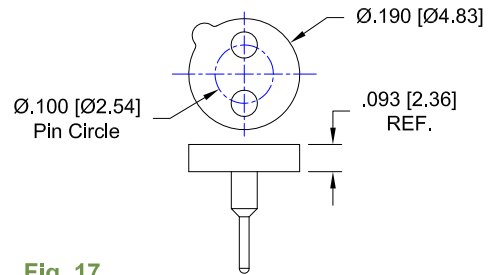


Fig. 17

Thru-Hole: R100-0402-06T-75S-R27-L14
Surface Mount: R100-0402-06T-265S-R27-L14

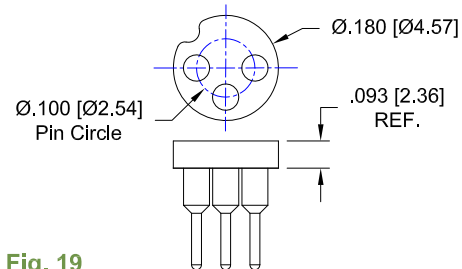


Fig. 19

Thru-Hole: R100-0403-01N-75S-R27-L14
Surface Mount: R100-0403-01N-265S-R27-L14

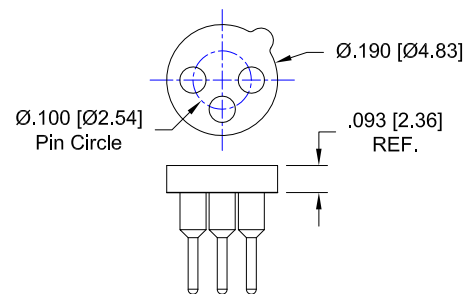


Fig. 21

Thru-Hole: R100-0403-06T-75S-R27-L14
Surface Mount: R100-0403-06T-265S-R27-L14

Sensor Socket Footprints

Sockets accept $\pm .003$ [.08] diameter Pin Circles
Sockets may have a notch or tab for orientation purposes

Top View Shown

Units: in[mm]

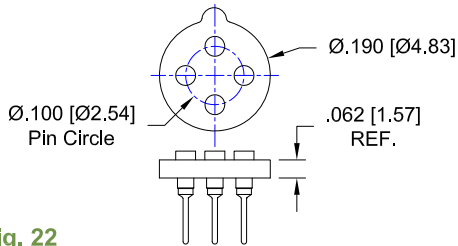


Fig. 22

Thru-Hole: R100-0404-01T-400T4-R27-L14
Surface Mount: R100-0404-01T-414T4-R27-L14

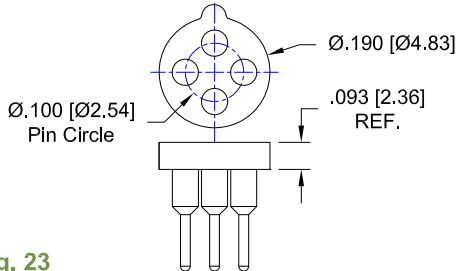


Fig. 23

Thru-Hole: R100-0404-01T-75S-R27-L14
Surface Mount: R100-0404-01T-384S-R27-L14

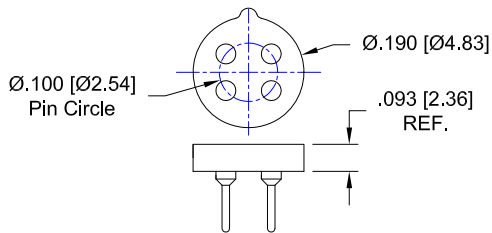


Fig. 25

Thru-Hole: R100-0404-02T-211S-R27-L14
Surface Mount: R100-0404-02T-384S-R27-L14

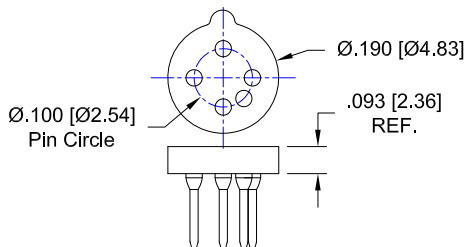


Fig. 27

Thru-Hole: R100-0805-01T-C2-G10-L14
Surface Mount: NOT AVAILABLE



For terminal styles, see page 128

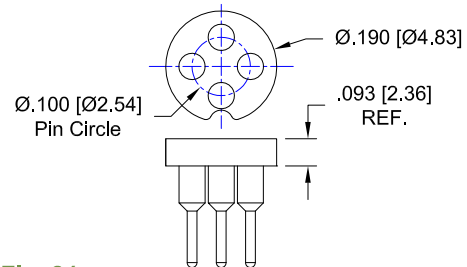


Fig. 24

Thru-Hole: R100-0404-01N-75S-R27-L14
Surface Mount: R100-0404-01N-265S-R27-L14

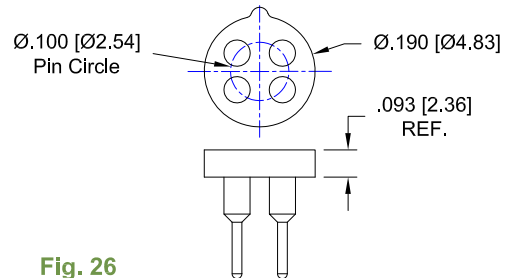


Fig. 26

Thru-Hole: R100-0404-02T-75S-R27-L14
Surface Mount: R100-0404-02T-265S-R27-L14

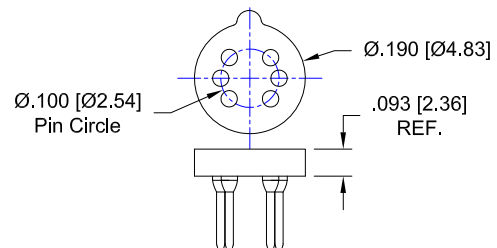


Fig. 28

Thru-Hole: R100-0806-01T-C2-G10-L14
Surface Mount: NOT AVAILABLE

Sensor Socket Footprints

Sockets accept $\pm .003$ [.08] diameter Pin Circles
Sockets may have a notch or tab for orientation purposes

Top View Shown

Units: in[mm]

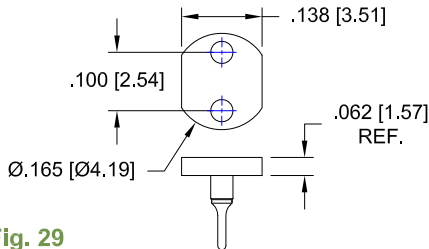


Fig. 29

Thru-Hole: R100-SP02-01-274K-R27-L14
Surface Mount: R100-SP02-01-281K-R27-L14

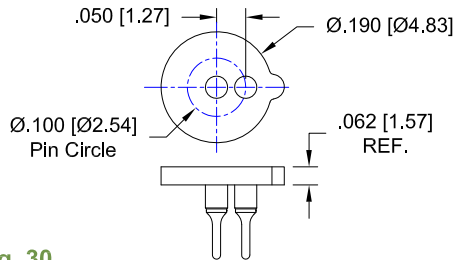


Fig. 30

Thru-Hole: R100-SP02-02T-274K-R27-L14
Surface Mount: R100-SP02-02T-281K-R27-L14

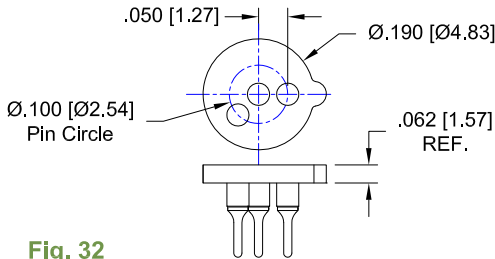


Fig. 32

Thru-Hole: R100-SP03-02T-274K-R27-L14
Surface Mount: R100-SP03-02T-281K-R27-L14

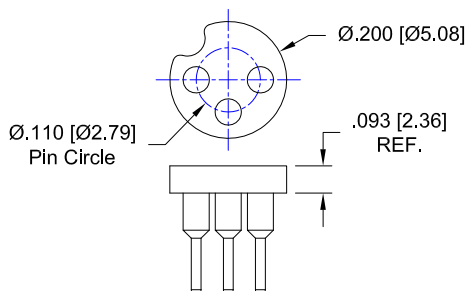


Fig. 34

Thru-Hole: R110-0403-01N-75S-R27-L14
Surface Mount: R110-0403-01N-265S-R27-L14

©Copyright 2013 Andon Electronics Corporation. All Rights Reserved. This material is protected under US and other copyrights and may not be copied, sold, or redistributed in any form without written permission of Andon Electronics Corporation. Copyrights and trademarks are property of their respective companies. We reserve the right to change specifications without notice.



For terminal styles, see page 128

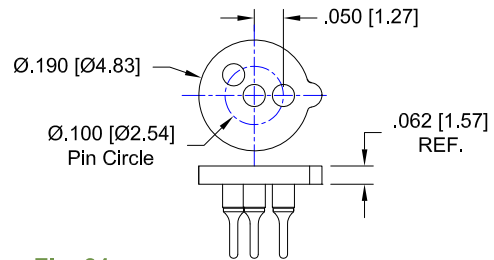


Fig. 31

Thru-Hole: R100-SP03-01T-274K-R27-L14
Surface Mount: R100-SP03-01T-281K-R27-L14

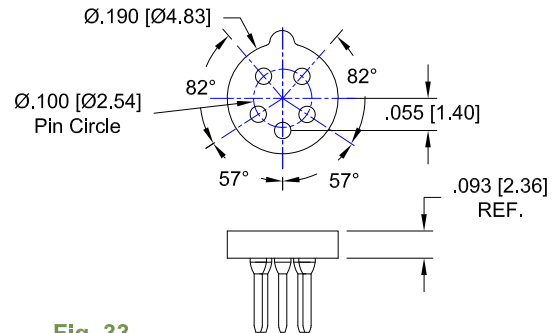


Fig. 33

Thru-Hole: R100-SP05-01T-C2-G10-L14
Surface Mount: NOT AVAILABLE

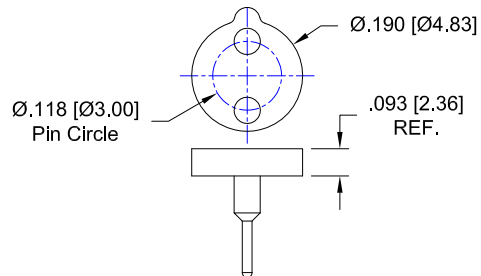


Fig. 35

Thru-Hole: R118-0402-01T-75S-R27-L14
Surface Mount: R118-04032-01T-265S-R27-L14

*Sockets are not drawn to scale 01/29/13 OPTO-13A

Sensor Socket Footprints

Sockets accept $\pm .003$ [.08] diameter Pin Circles
Sockets may have a notch or tab for orientation purposes

Top View Shown

Units: in[mm]

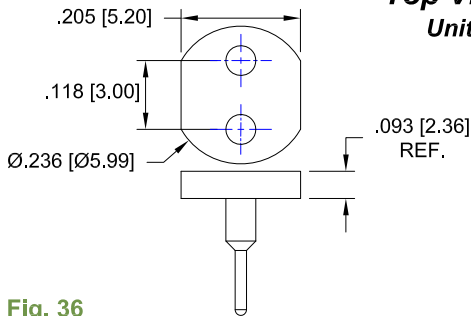


Fig. 36

Thru-Hole: R118-SP02-01-01S-R27-L14
Surface Mount: R118-SP02-01-93S-R27-L14

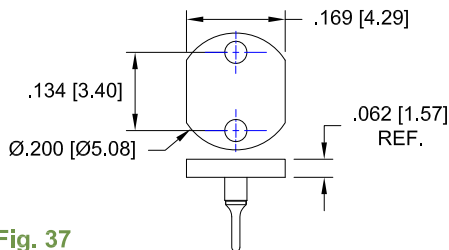


Fig. 37

Thru-Hole: R134-SP02-01-274K-R27-L14
Surface Mount: R134-SP02-01-281K-R27-L14

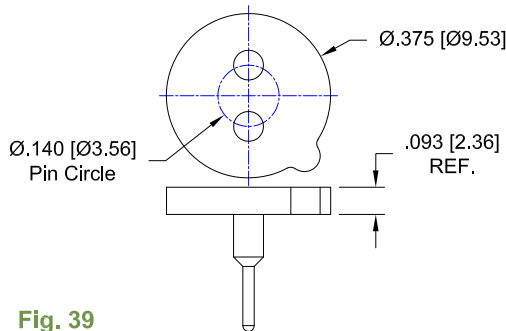


Fig. 39

Thru-Hole: R140-0402-03T-01S-R27-L14
Surface Mount: R140-0402-03T-93S-R27-L14

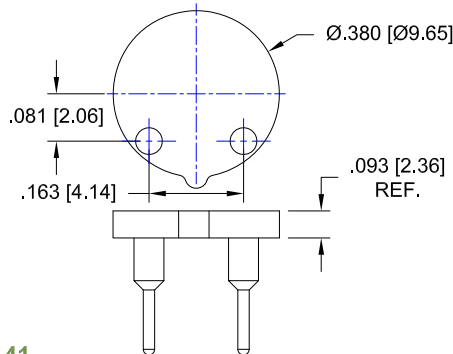


Fig. 41

Thru-Hole: R163-SP02-01T-01S-R27-L14
Surface Mount: R163-SP02-01T-93S-R27-L14

©Copyright 2013 Andon Electronics Corporation. All Rights Reserved. This material is protected under US and other copyrights and may not be copied, sold, or redistributed in any form without written permission of Andon Electronics Corporation. Copyrights and trademarks are property of their respective companies. We reserve the right to change specifications without notice.



For terminal styles, see page 128

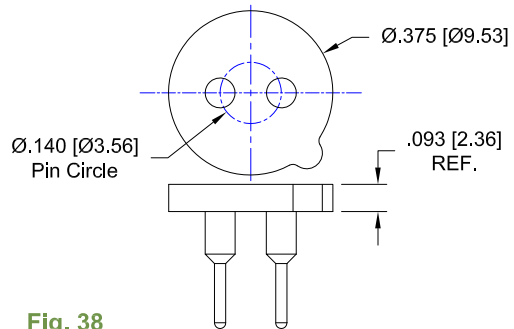


Fig. 38

Thru-Hole: R140-0402-01T-01S-R27-L14
Surface Mount: R140-0402-01T-93S-R27-L14

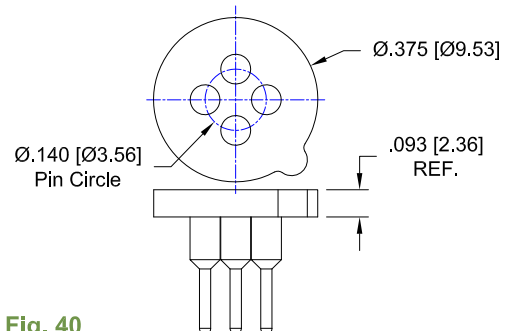


Fig. 40

Thru-Hole: R140-0404-02T-01S-R27-L14
Surface Mount: R140-0404-02T-93S-R27-L14

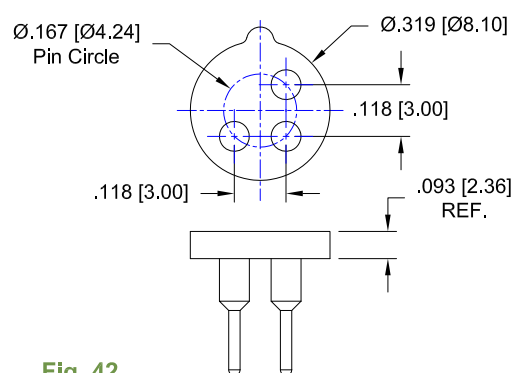


Fig. 42

Thru-Hole: R167-0403-01T-01S-R27-L14
Surface Mount: R167-0403-01T-93S-R27-L14

*Sockets are not drawn to scale 01/29/13 OPTO-13A

Sensor Socket Footprints

Sockets accept $\pm .003$ [.08] diameter Pin Circles
Sockets may have a notch or tab for orientation purposes

Top View Shown

Units: in[mm]

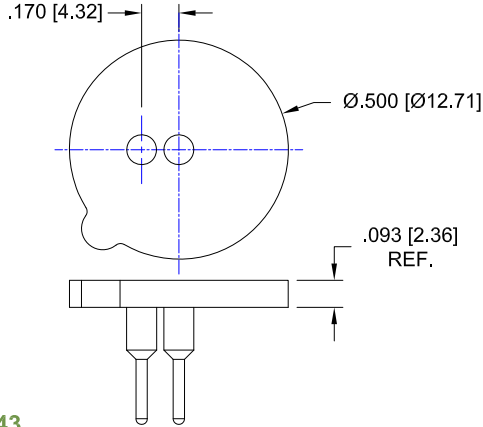


Fig. 43

Thru-Hole: R170-SP02-01T-01S-R27-L14
Surface Mount: R170-SP02-01T-93S-R27-L14



For terminal styles, see page 128

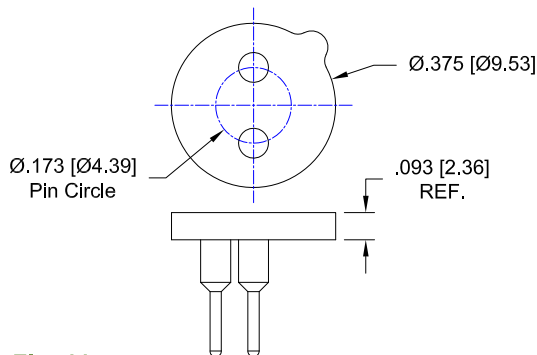


Fig. 44

Thru-Hole: R173-0402-01T-01S-R27-L14
Surface Mount: R173-0402-01T-93S-R27-L14

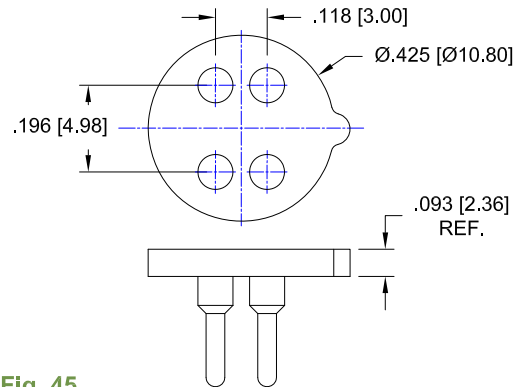


Fig. 45

Thru-Hole: R196-SP04-01T-295V-R27-L14
Surface Mount: R196-SP04-01T-439V-R27-L14

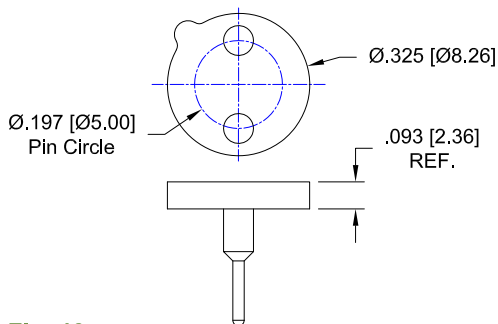


Fig. 46

Thru-Hole: R197-0402-01T-01S-R27-L14
Surface Mount: R197-0402-01T-93S-R27-L14

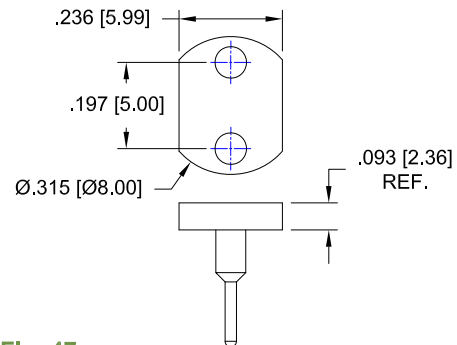


Fig. 47

Thru-Hole: R197-SP02-01-01S-R27-L14
Surface Mount: R197-SP02-01-93S-R27-L14

Sensor Socket Footprints

Sockets accept $\pm .003$ [.08] diameter Pin Circles
Sockets may have a notch or tab for orientation purposes

Top View Shown

Units: in[mm]

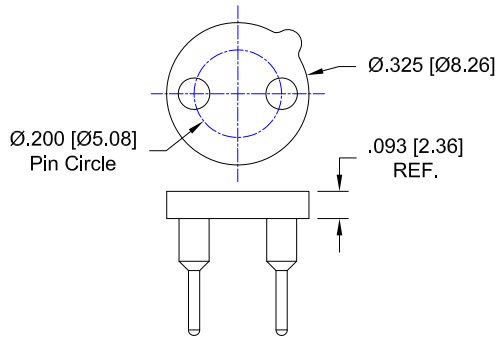


Fig. 48

Thru-Hole: R200-0402-01T-01S-R27-L14
Surface Mount: R200-0402-01T-93S-R27-L14



For terminal styles, see page 128

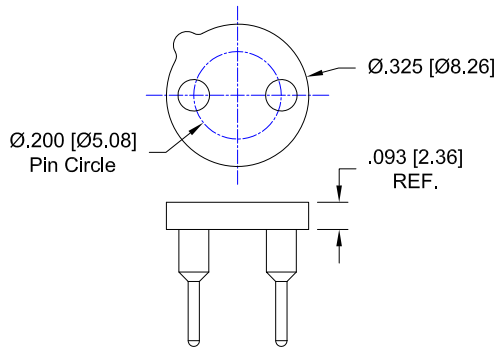


Fig. 49

Thru-Hole: R200-0402-02T-01S-R27-L14
Surface Mount: R200-0402-02T-93S-R27-L14

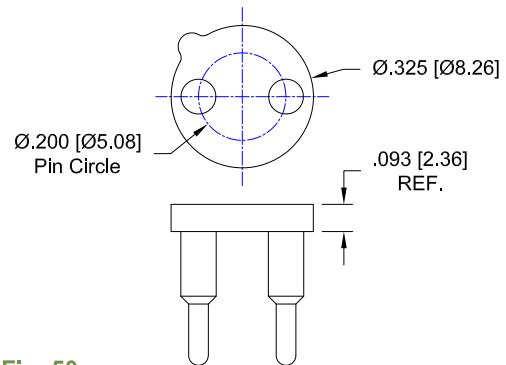


Fig. 50

Thru-Hole: R200-0402-02T-433E-R27-L14
Surface Mount: R200-0402-02T-285E-R27-L14

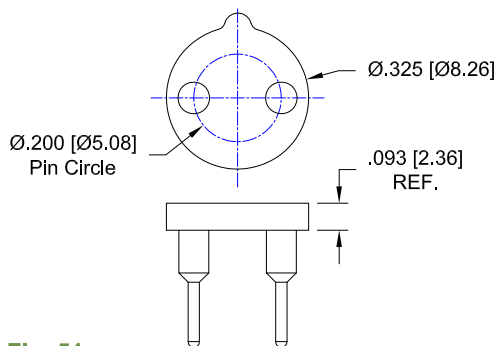


Fig. 51

Thru-Hole: R200-0402-03T-01S-R27-L14
Surface Mount: R200-0402-03T-93S-R27-L14

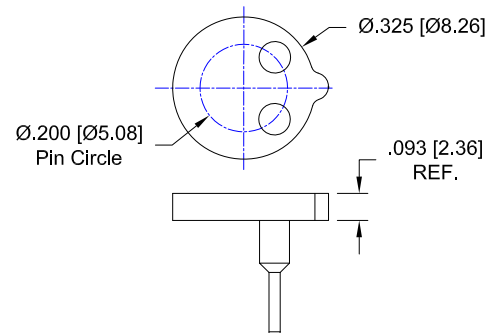


Fig. 52

Thru-Hole: R200-0802-04T-01S-R27-L14
Surface Mount: R200-0802-04T-93S-R27-L14

Sensor Socket Footprints

Sockets accept $\pm .003$ [.08] diameter Pin Circles
Sockets may have a notch or tab for orientation purposes

Top View Shown

Units: in[mm]

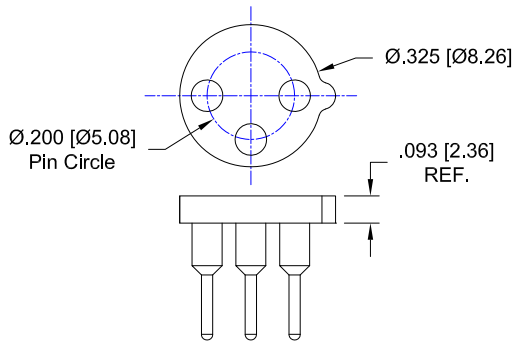


Fig. 53

Thru-Hole: R200-0403-01T-01S-R27-L14
Surface Mount: R200-0403-01T-93S-R27-L14



For terminal styles, see page 128

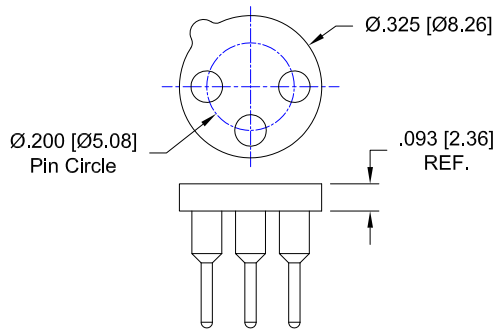


Fig. 54

Thru-Hole: R200-0403-02T-01S-R27-L14
Surface Mount: R200-0403-02T-93S-R27-L14

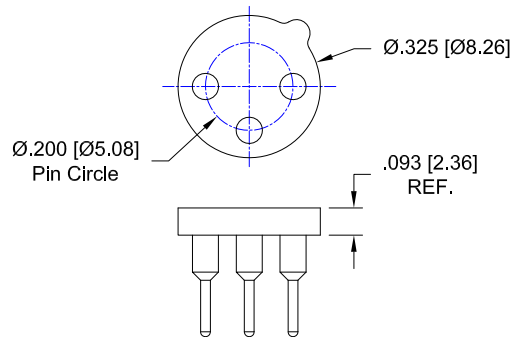


Fig. 55

Thru-Hole: R200-0403-03T-75S-R27-L14
Surface Mount: R200-0403-03T-265S-R27-L14

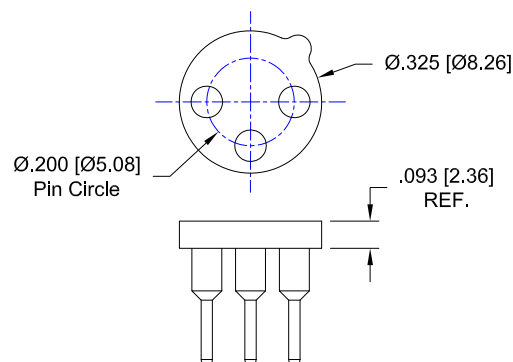


Fig. 56

Thru-Hole: R200-0403-03T-01S-R27-L14
Surface Mount: R200-0403-03T-93S-R27-L14

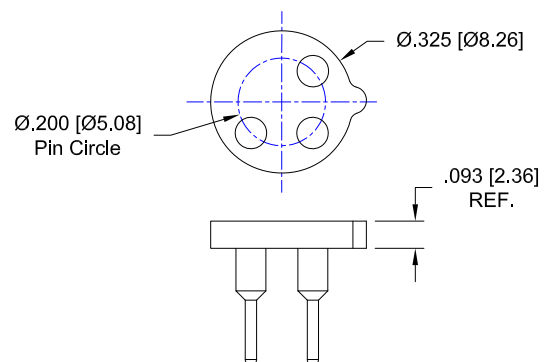


Fig. 57

Thru-Hole: R200-0403-04T-01S-R27-L14
Surface Mount: R200-0403-04T-93S-R27-L14

Sensor Socket Footprints

Sockets accept $\pm .003$ [.08] diameter Pin Circles
Sockets may have a notch or tab for orientation purposes

Top View Shown

Units: in[mm]

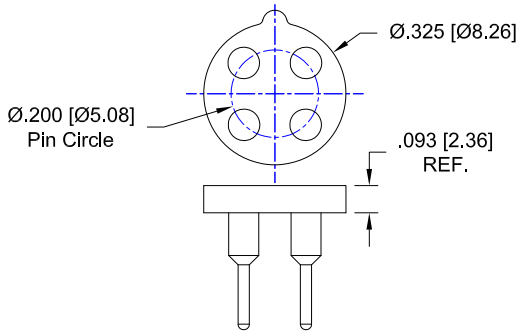


Fig. 58

Thru-Hole: R200-0404-01T-01S-R27-L14
Surface Mount: R200-0404-01T-93S-R27-L14



For terminal styles, see page 128

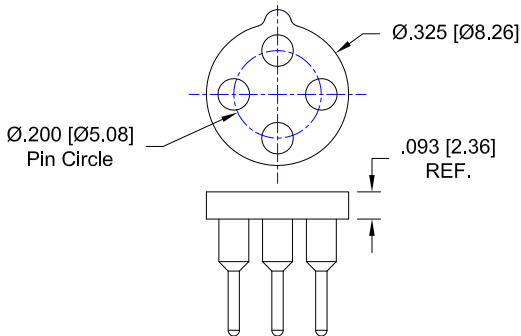


Fig. 59

Thru-Hole: R200-0404-02T-01S-R27-L14
Surface Mount: R200-0404-02T-93S-R27-L14

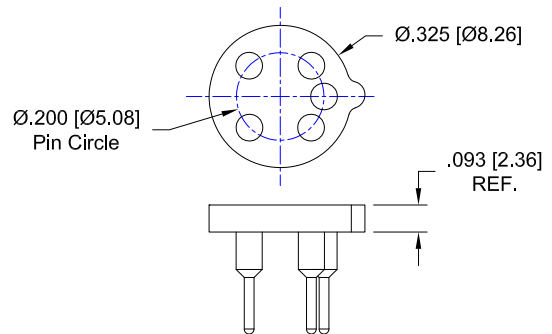


Fig. 60

Thru-Hole: R200-0805-01T-75S-R27-L14
Surface Mount: R200-0805-01T-265S-R27-L14

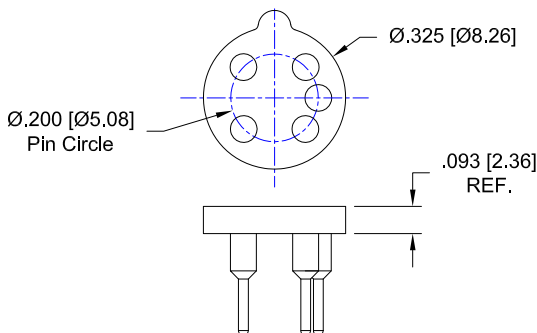


Fig. 61

Thru-Hole: R200-0805-02T-75S-R27-L14
Surface Mount: R200-0805-02T-265S-R27-L14

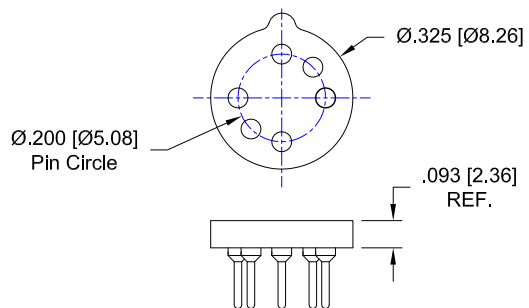


Fig. 62

Thru-Hole: R200-0806-01T-211S-R27-L14
Surface Mount: R200-0806-01T-384S-R27-L14

Sensor Socket Footprints

Sockets accept $\pm .003$ [.08] diameter Pin Circles
Sockets may have a notch or tab for orientation purposes

Top View Shown

Units: in[mm]

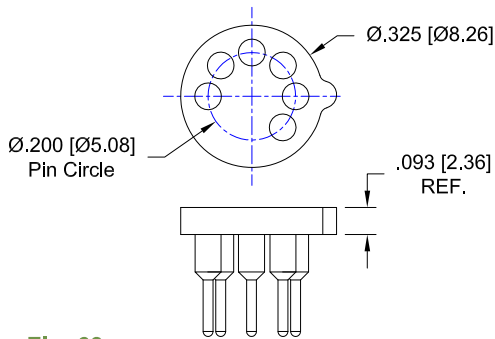


Fig. 63

Thru-Hole: R200-0806-02T-75S-R27-L14
Surface Mount: R200-0806-02T-265S-R27-L14

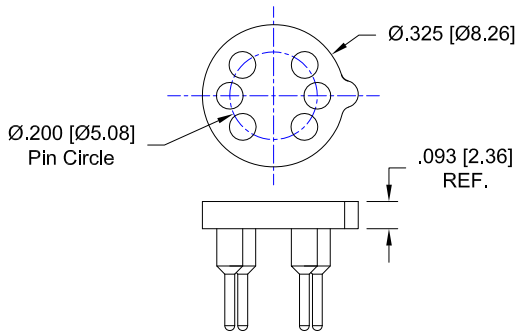


Fig. 64

Thru-Hole: R200-0806-03T-75S-R27-L14
Surface Mount: R200-0806-03T-265S-R27-L14

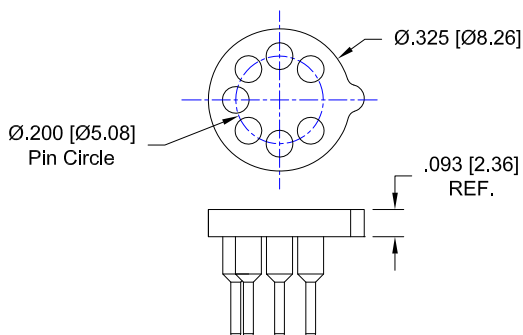


Fig. 66

Thru-Hole: R200-0807-01T-75S-R27-L14
Surface Mount: R200-0807-01T-265S-R27-L14



For terminal styles, see page 128

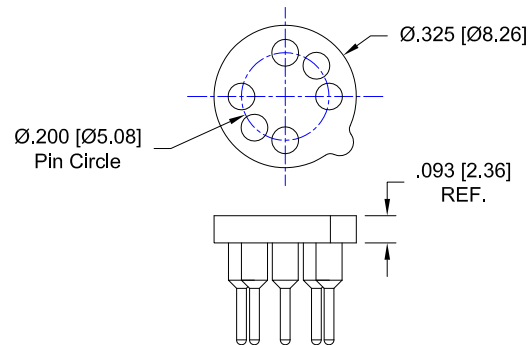


Fig. 65

Thru-Hole: R200-0806-04T-75S-R27-L14
Surface Mount: R200-0806-04T-265S-R27-L14

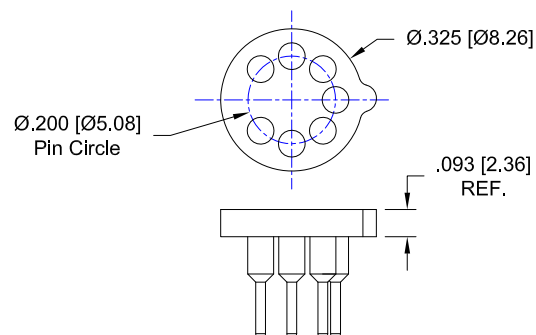


Fig. 67

Thru-Hole: R200-0807-02T-75S-R27-L14
Surface Mount: R200-0807-02T-265S-R27-L14

Sensor Socket Footprints

Sockets accept $\pm .003$ [.08] diameter Pin Circles
Sockets may have a notch or tab for orientation purposes

Top View Shown

Units: in[mm]

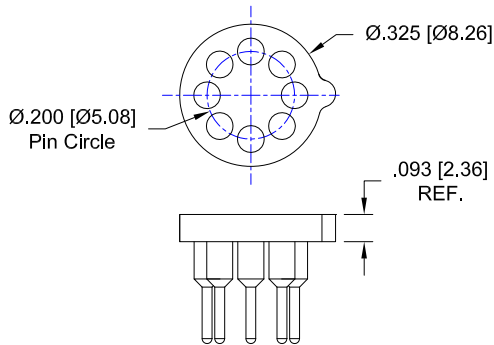


Fig. 68

Thru-Hole: R200-0808-01T-75S-R27-L14
Surface Mount: R200-0808-01T-265S-R27-L14

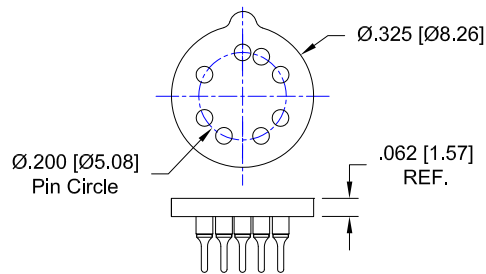


Fig. 69

Thru-Hole: R200-1008-03T-274K-R27-L14
Surface Mount: R200-1008-03T-281K-R27-L14

For terminal styles, see page 128

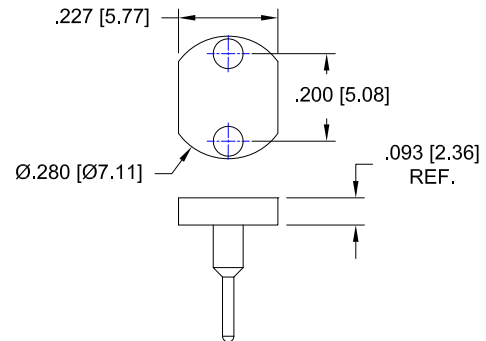


Fig. 70

Thru-Hole: R200-SP02-01-01S-R27-L14
Surface Mount: R200-SP02-01-93S-R27-L14

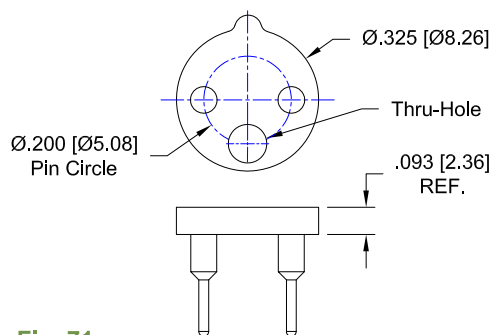


Fig. 71

Thru-Hole: R200-SP02-02T-75S-R27-L14
Surface Mount: R200-SP02-02T-265S-R27-L14

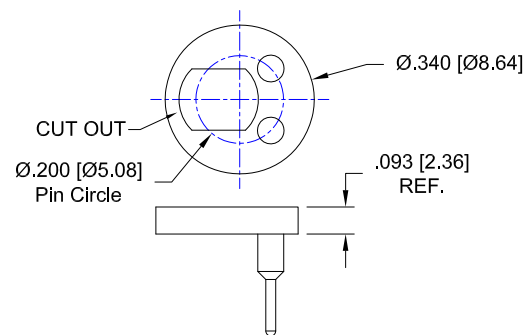


Fig. 72

Thru-Hole: R200-SP02-03-75S-R27-L14
Surface Mount: R200-SP02-03-265S-R27-L14

Sensor Socket Footprints

[Back to Table of Contents](#)

Sockets accept $\pm .003$ [.08] diameter Pin Circles
Sockets may have a notch or tab for orientation purposes

Top View Shown

Units: in[mm]

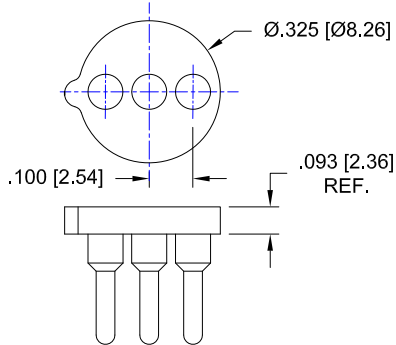


Fig. 73

Thru-Hole: R200-SP03-01T-295V-R27-L14
Surface Mount: R200-SP03-01T-439V-R27-L14

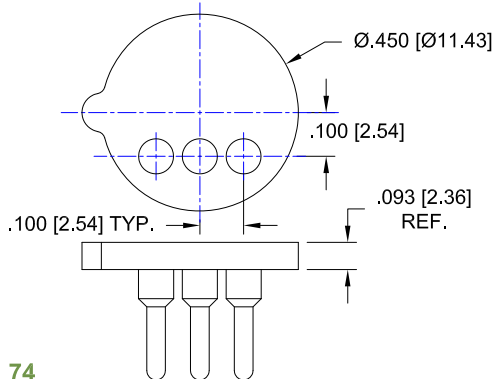
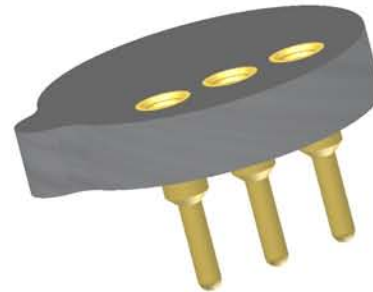


Fig. 74

Thru-Hole: R200-SP03-03T-295V-R27-L14
Surface Mount: R200-SP03-03T-439V-R27-L14

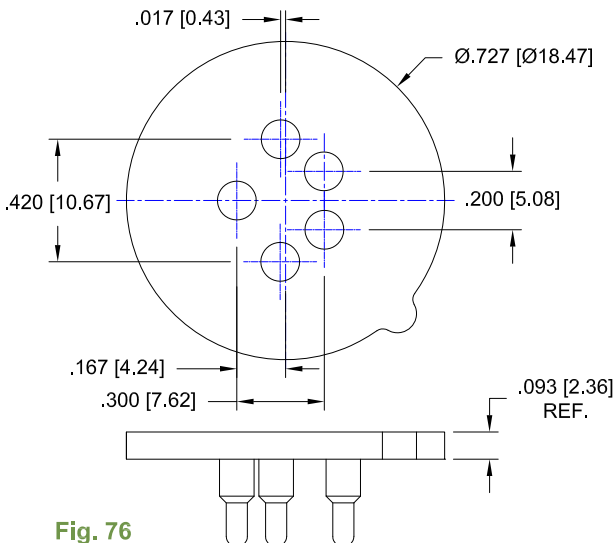


Fig. 76

Thru-Hole: R420-SP05-04T-436P55-R27-L14
Surface Mount: R420-SP05-04T-440P55-R27-L14

For terminal styles, see page 128

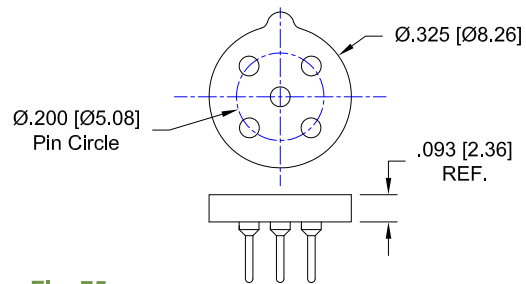


Fig. 75

Thru-Hole: R200-SP05-01T-211S-R27-L14
Surface Mount: R200-SP05-01T-265S-R27-L14

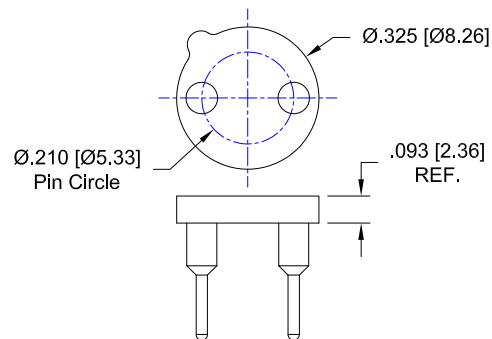


Fig. 77

Thru-Hole: R210-0402-01T-01S-R27-L14
Surface Mount: R210-0402-01T-93S-R27-L14

©Copyright 2013 Andon Electronics Corporation. All Rights Reserved. This material is protected under US and other copyrights and may not be copied, sold, or redistributed in any form without written permission of Andon Electronics Corporation. Copyrights and trademarks are property of their respective companies. We reserve the right to change specifications without notice.

*Sockets are not drawn to scale 01/29/13 OPTO-13A

Sensor Socket Footprints

Sockets accept $\pm .003$ [.08] diameter Pin Circles
Sockets may have a notch or tab for orientation purposes

Top View Shown

Units: in[mm]

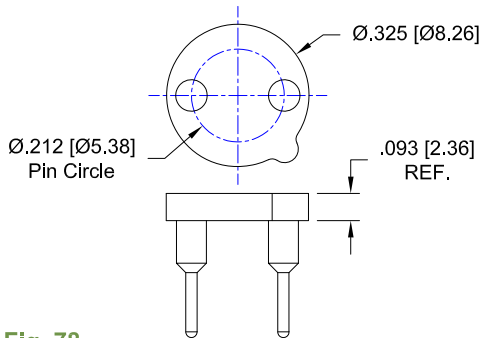
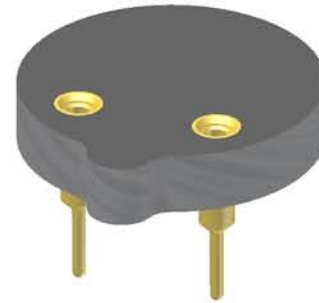


Fig. 78

Thru-Hole: R212-0402-01T-01S-R27-L14
Surface Mount: R212-0402-01T-93S-R27-L14



For terminal styles, see page 128

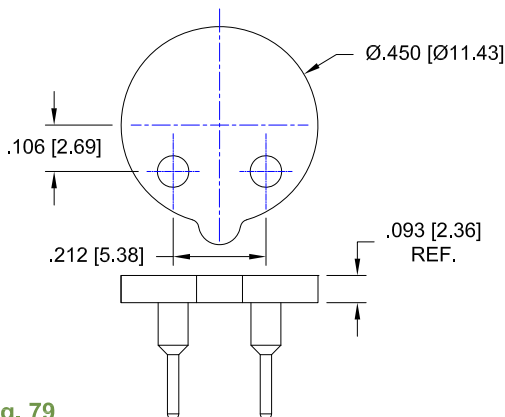


Fig. 79

Thru-Hole: R212-SP02-01T-01S-R27-L14
Surface Mount: R212-SP02-01T-93S-R27-L14

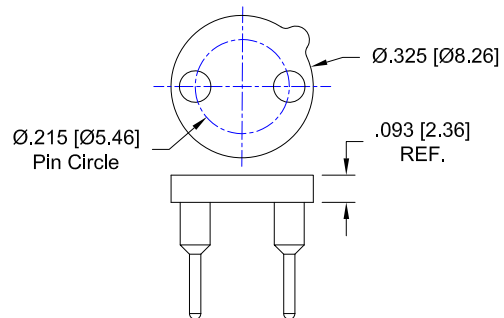


Fig. 80

Thru-Hole: R215-0402-01T-01S-R27-L14
Surface Mount: R215-0402-01T-93S-R27-L14

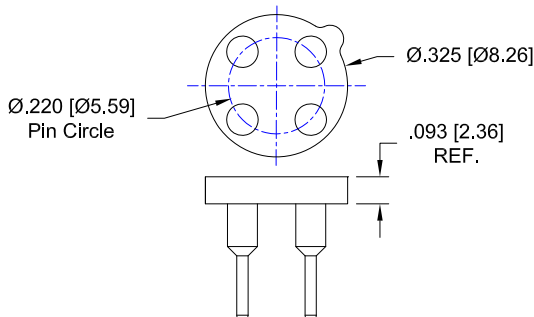


Fig. 81

Thru-Hole: R220-0404-01T-01S-R27-L14
Surface Mount: R220-0404-01T-93S-R27-L14

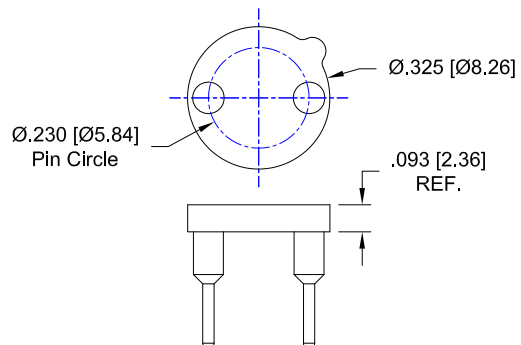


Fig. 82

Thru-Hole: R230-0402-01T-01S-R27-L14
Surface Mount: R230-0402-01T-93S-R27-L14

Sensor Socket Footprints

Sockets accept $\pm .003$ [.08] diameter Pin Circles
Sockets may have a notch or tab for orientation purposes

Top View Shown

Units: in[mm]

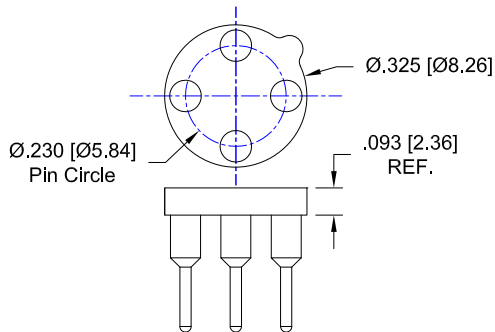


Fig. 83

Thru-Hole: R230-0404-01T-01S-R27-L14
Surface Mount: R230-0404-01T-93S-R27-L14

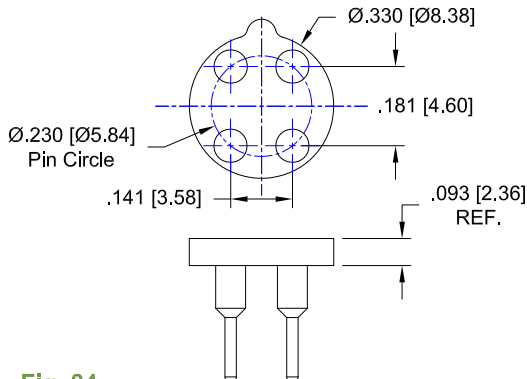
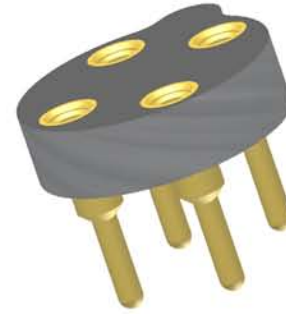


Fig. 84

Thru-Hole: R230-0404-02T-295V-R27-L14
Surface Mount: R230-0404-02T-439V-R27-L14

For terminal styles, see page 128

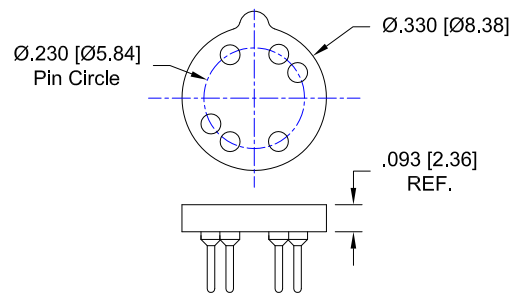


Fig. 85

Thru-Hole: R230-0806-02T-211S-R27-L14
Surface Mount: R230-0806-02T-384S-R27-L14

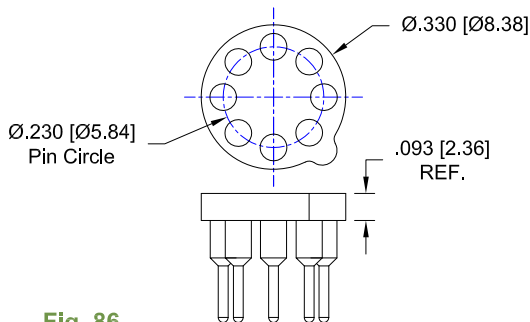


Fig. 86

Thru-Hole: R230-0808-01T-75S-R27-L14
Surface Mount: R230-0808-01T-265S-R27-L14

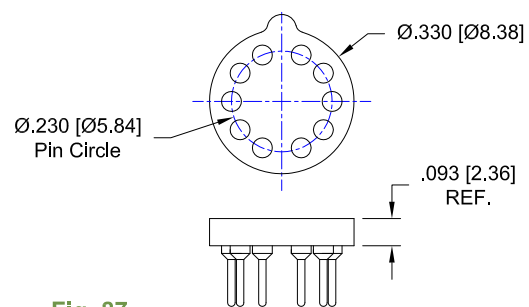


Fig. 87

Thru-Hole: R230-1010-01T-211S-R27-L14
Surface Mount: R230-1010-01T-265S-R27-L14

Sensor Socket Footprints

Sockets accept $\pm .003$ [.08] diameter Pin Circles
Sockets may have a notch or tab for orientation purposes

Top View Shown

Units: in[mm]

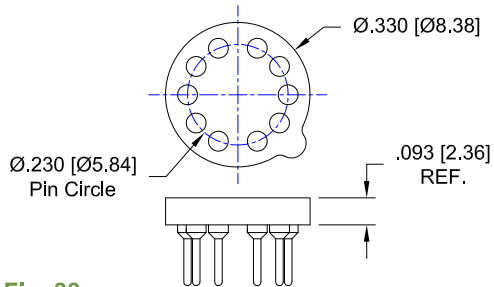
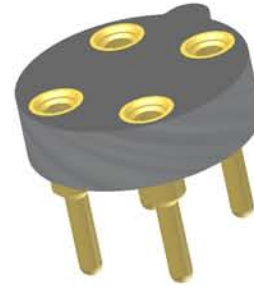


Fig. 88

Thru-Hole: R230-1010-02T-211S-R27-L14
Surface Mount: R230-1010-02T-265S-R27-L14



For terminal styles, see page 128

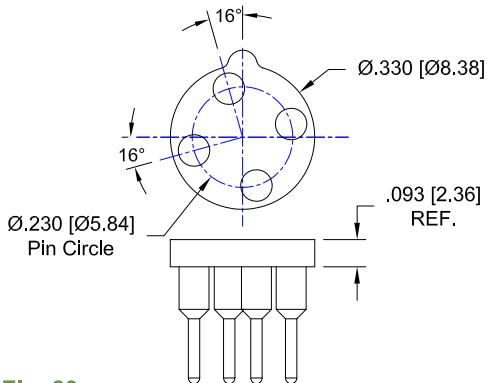


Fig. 89

Thru-Hole: R230-SP04-01T-01S-R27-L14
Surface Mount: R230-SP04-01T-93S-R27-L14

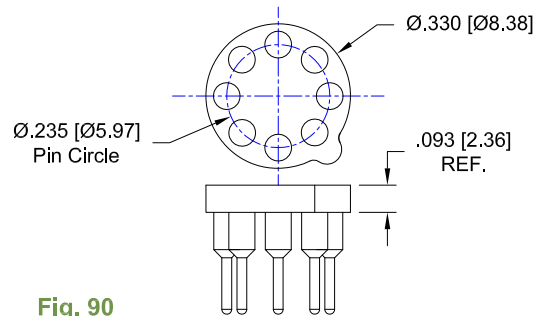


Fig. 90

Thru-Hole: R235-0808-01T-75S-R27-L14
Surface Mount: R235-0808-01T-265S-R27-L14

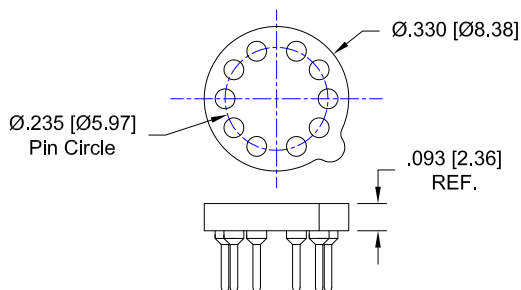


Fig. 91

Thru-Hole: R235-1010-02T-211S-R27-L14
Surface Mount: R235-1010-02T-265S-R27-L14

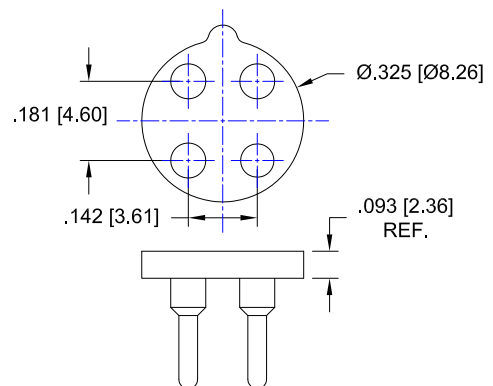


Fig. 92

Thru-Hole: R240-SP04-01T-295V-R27-L14
Surface Mount: R240-SP04-01T-439V-R27-L14

Sensor Socket Footprints

Sockets accept $\pm .003$ [.08] diameter Pin Circles
Sockets may have a notch or tab for orientation purposes

Top View Shown

Units: in[mm]

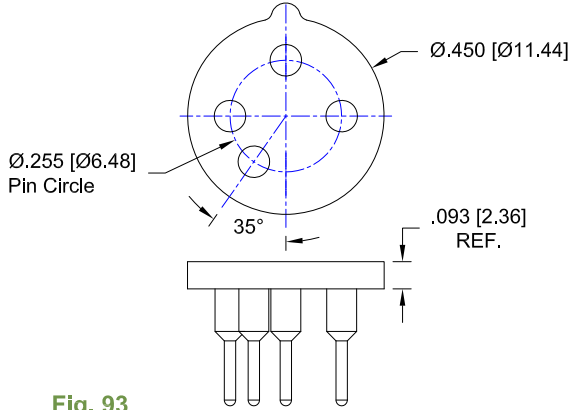


Fig. 93

Thru-Hole: R255-SP04-01T-01S-R27-L14
Surface Mount: R255-SP04-01T-93S-R27-L14

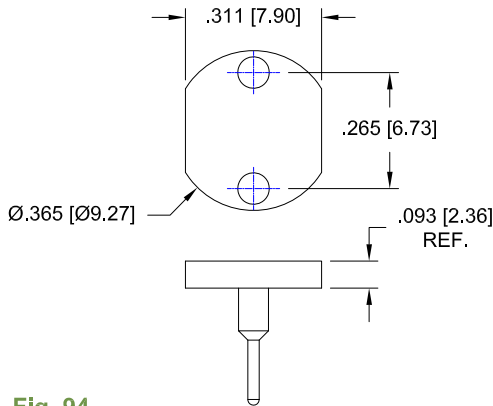


Fig. 94

Thru-Hole: R265-SP02-01-01S-R27-L14
Surface Mount: R265-SP02-01-93S-R27-L14

For terminal styles, see page 128

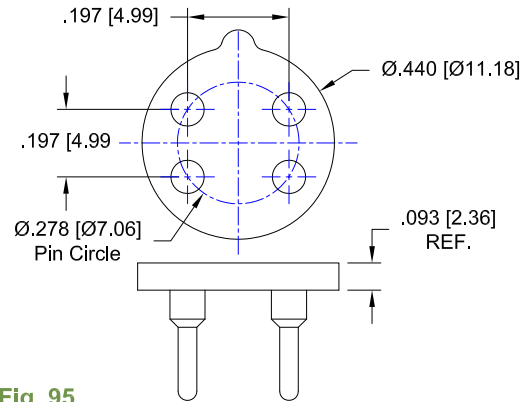


Fig. 95

Thru-Hole: R278-0804-01T-295V-R27-L14
Surface Mount: R278-0804-01T-439V-R27-L14

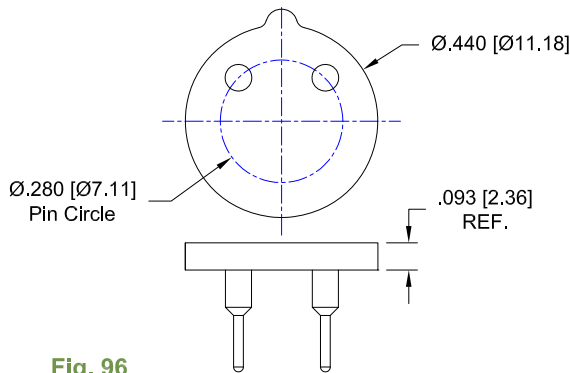


Fig. 96

Thru-Hole: R280-0802-01T-75S-R27-L14
Surface Mount: R280-0802-01T-265S-R27-L14

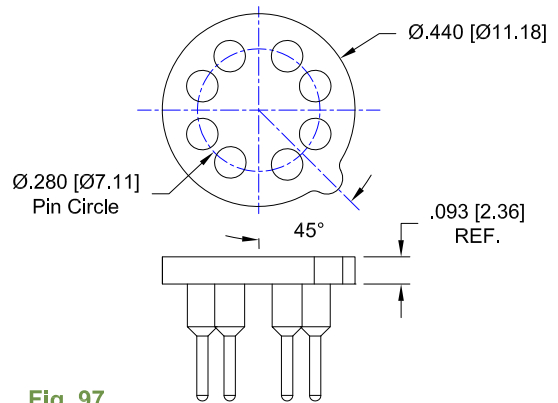


Fig. 97

Thru-Hole: R280-0808-01T-01S-R27-L14
Surface Mount: R280-0808-01T-93S-R27-L14

Sensor Socket Footprints

Sockets accept $\pm .003$ [.08] diameter Pin Circles
Sockets may have a notch or tab for orientation purposes

Top View Shown

Units: in[mm]

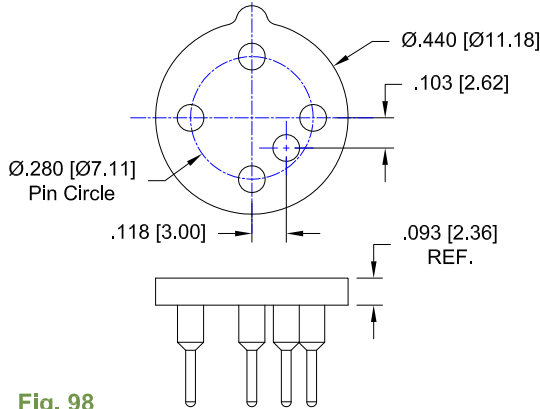
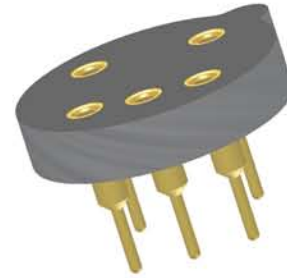


Fig. 98

Thru-Hole: R280-SP05-01T-75S-R27-L14
Surface Mount: R280-SP05-01T-265S-R27-L14



For terminal styles, see page 128

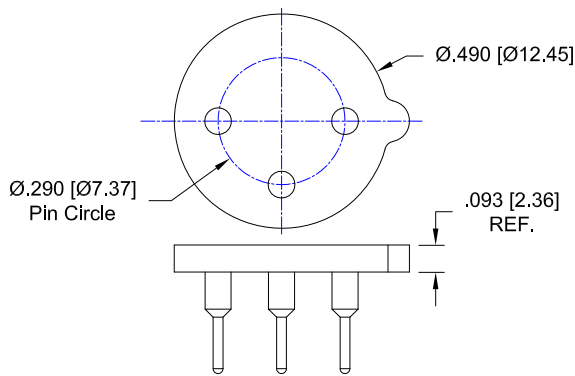


Fig. 99

Thru-Hole: R290-0403-01T-01S-R27-L14
Surface Mount: R290-0403-01T-93S-R27-L14

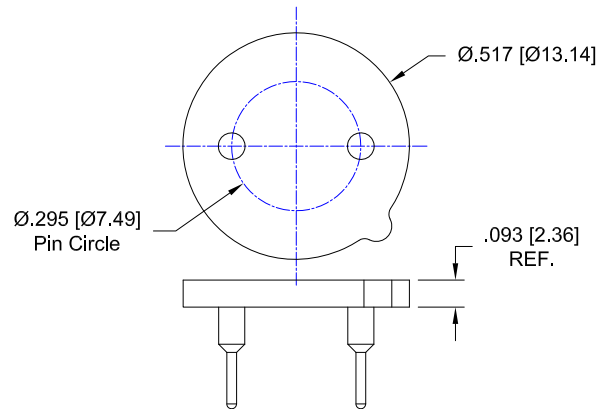


Fig. 100

Thru-Hole: R295-0402-01T-01S-R27-L14
Surface Mount: R295-0402-01T-93S-R27-L14

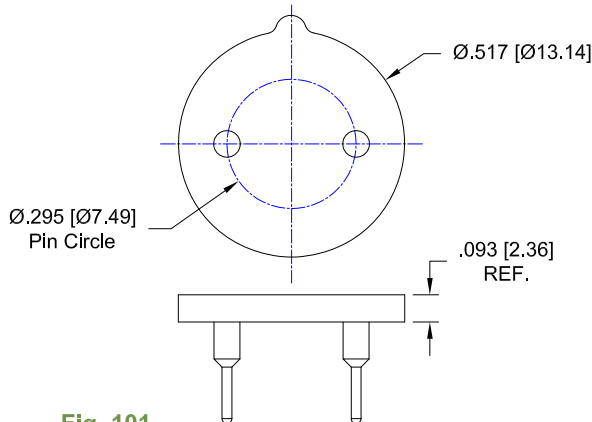


Fig. 101

Thru-Hole: R295-0402-02T-01S-R27-L14
Surface Mount: R295-0402-02T-93S-R27-L14

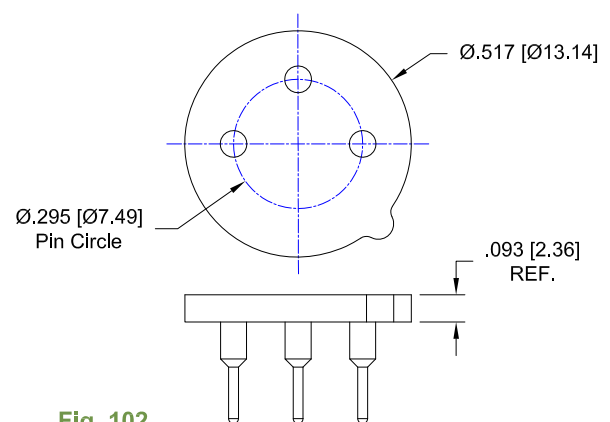


Fig. 102

Thru-Hole: R295-0403-01T-01S-R27-L14
Surface Mount: R295-0403-01T-93S-R27-L14

Sensor Socket Footprints

Sockets accept $\pm .003$ [.08] diameter Pin Circles
Sockets may have a notch or tab for orientation purposes

Top View Shown

Units: in[mm]

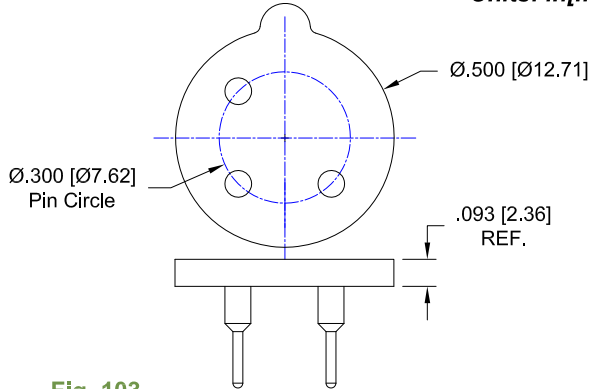
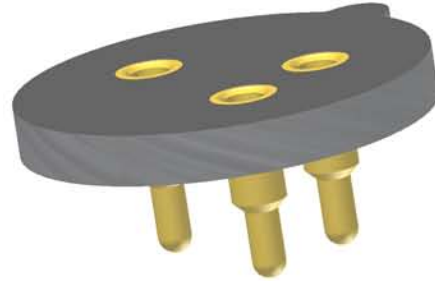


Fig. 103

Thru-Hole: R300-0803-01T-01S-R27-L14
Surface Mount: R300-0803-01T-93S-R27-L14



For terminal styles, see page 128

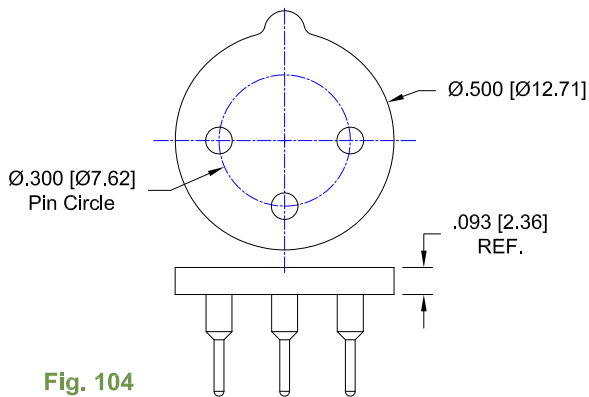


Fig. 104

Thru-Hole: R300-0803-02T-01S-R27-L14
Surface Mount: R300-0803-02T-93S-R27-L14

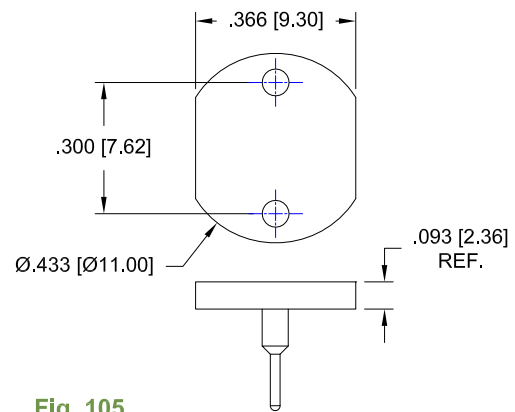


Fig. 105

Thru-Hole: R300-SP02-01-01S-R27-L14
Surface Mount: R300-SP02-01-93S-R27-L14

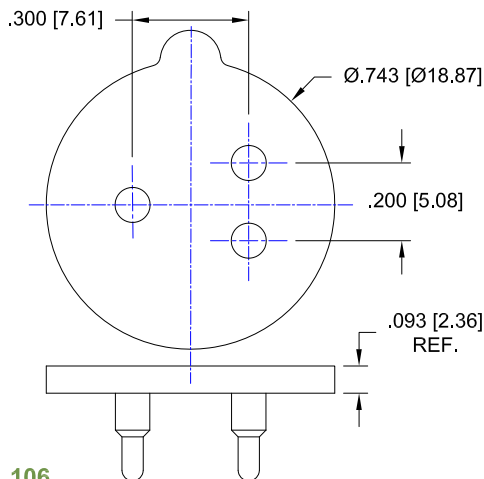


Fig. 106

Thru-Hole: R300-SP03-02T-436P55-R27-L14
Surface Mount: R300-SP03-02T-440P55-R27-L14

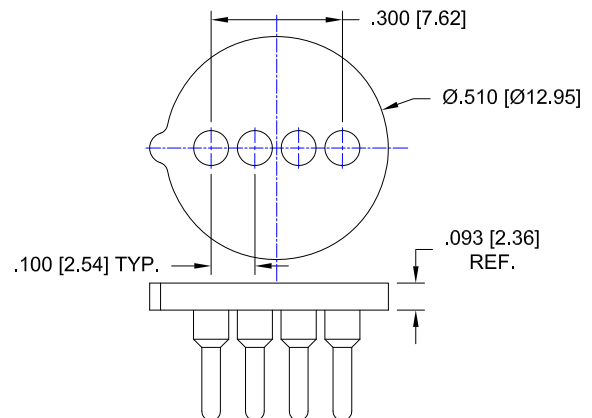


Fig. 107

Thru-Hole: R300-SP04-01T-295V-R27-L14
Surface Mount: R300-SP04-01T-439V-R27-L14

©Copyright 2013 Andon Electronics Corporation. All Rights Reserved. This material is protected under US and other copyrights and may not be copied, sold, or redistributed in any form without written permission of Andon Electronics Corporation. Copyrights and trademarks are property of their respective companies. We reserve the right to change specifications without notice.

*Sockets are not drawn to scale 01/29/13 OPTO-13A

Sensor Socket Footprints

Sockets accept $\pm .003$ [.08] diameter Pin Circles
Sockets may have a notch or tab for orientation purposes

Top View Shown

Units: in[mm]

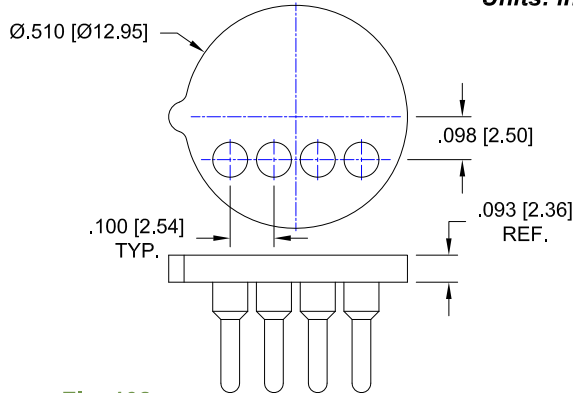
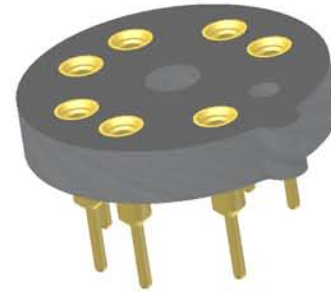


Fig. 108

Thru-Hole: R300-SP04-02T-295V-R27-L14
Surface Mount: R300-SP04-02T-439V-R27-L14



For terminal styles, see page 128

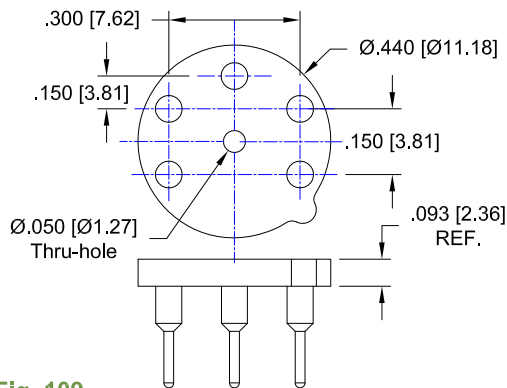


Fig. 109

Thru-Hole: R300-SP05-01T-01S-R27-L14
Surface Mount: R300-SP05-01T-93S-R27-L14

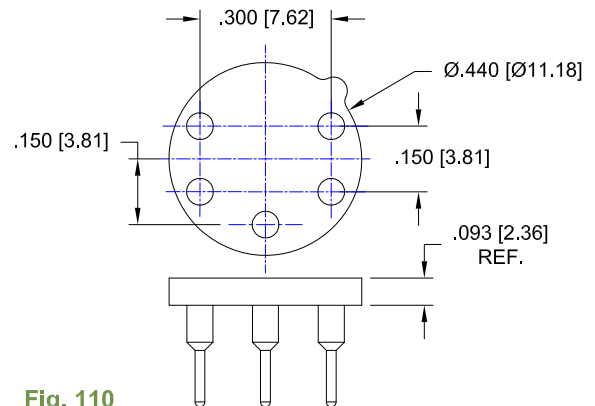


Fig. 110

Thru-Hole: R300-SP05-02T-01S-R27-L14
Surface Mount: R300-SP05-02T-93S-R27-L14

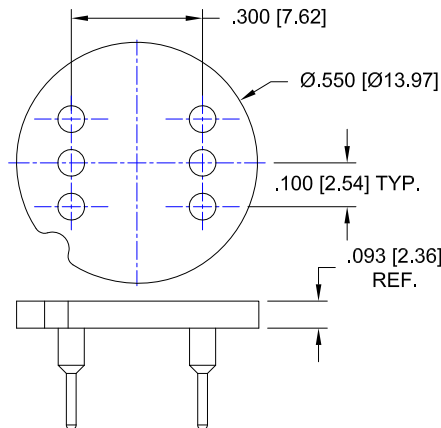


Fig. 111

Thru-Hole: R300-SP06-01N-01S-R27-L14
Surface Mount: R300-SP06-01N-93S-R27-L14

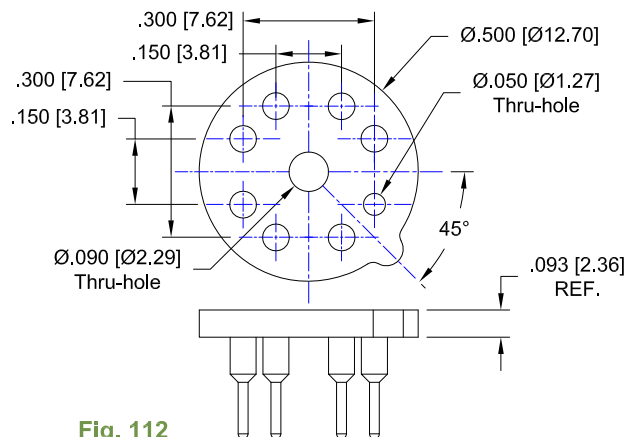


Fig. 112

Thru-Hole: R300-SP07-01T-01S-R27-L14
Surface Mount: R300-SP07-01T-93S-R27-L14

Sensor Socket Footprints

Sockets accept $\pm .003$ [.08] diameter Pin Circles
Sockets may have a notch or tab for orientation purposes

Top View Shown

Units: in[mm]

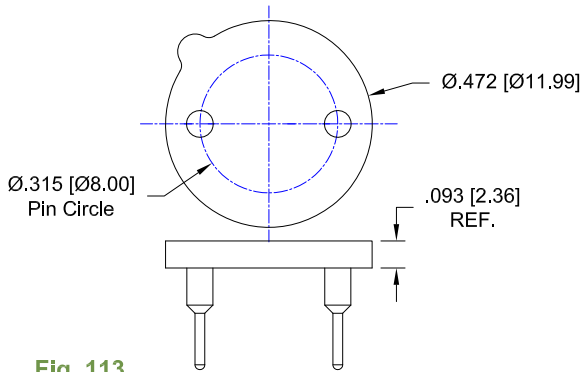


Fig. 113

Thru-Hole: R315-0402-01T-01S-R27-L14
Surface Mount: R315-0402-01T-93S-R27-L14

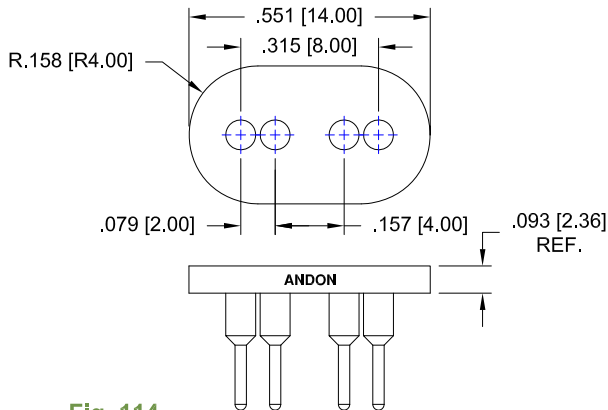


Fig. 114

Thru-Hole: R315-SP04-01-01S-R27-L14
Surface Mount: R315-SP04-01-93S-R27-L14

For terminal styles, see page 128

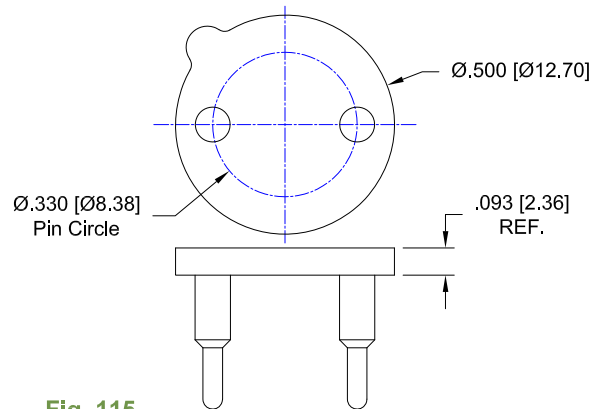


Fig. 115

Thru-Hole: R330-0402-01T-433E-R27-L14
Surface Mount: R330-0402-01T-285E-R27-L14

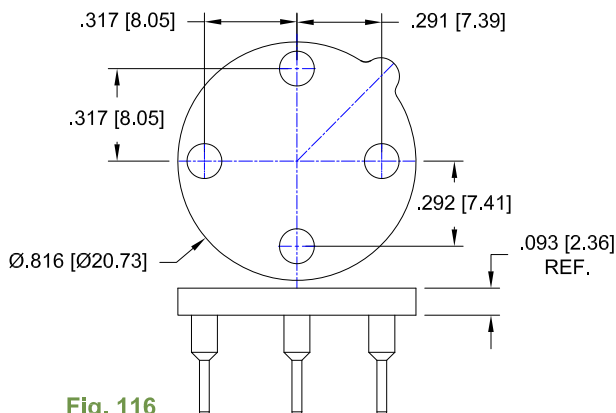


Fig. 116

Thru-Hole: R365-SP04-01T-01S-R27-L14
Surface Mount: R365-SP04-01T-93S-R27-L14

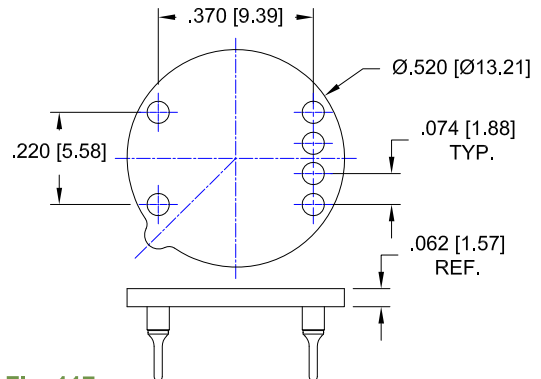


Fig. 117

Thru-Hole: R370-SP06-01T-274K-R27-L14
Surface Mount: R370-SP06-01T-281K-R27-L14

©Copyright 2013 Andon Electronics Corporation. All Rights Reserved. This material is protected under US and other copyrights and may not be copied, sold, or redistributed in any form without written permission of Andon Electronics Corporation. Copyrights and trademarks are property of their respective companies. We reserve the right to change specifications without notice.

*Sockets are not drawn to scale 01/29/13 OPTO-13A

Sensor Socket Footprints

Sockets accept $\pm .003$ [.08] diameter Pin Circles
Sockets may have a notch or tab for orientation purposes

Top View Shown

Units: in[mm]

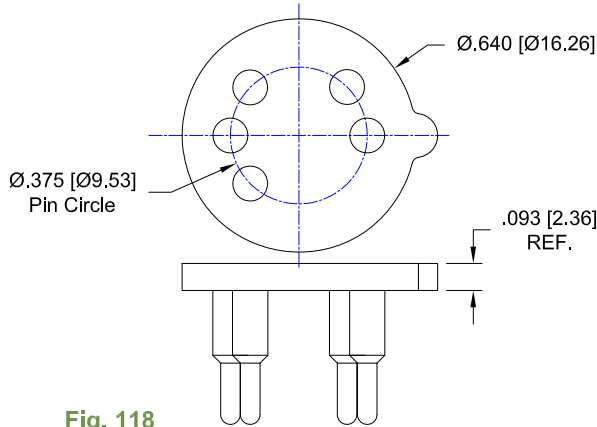


Fig. 118

Thru-Hole: R375-0805-01T-433E-R27-L14
Surface Mount: R375-0805-01T-285E-R27-L14

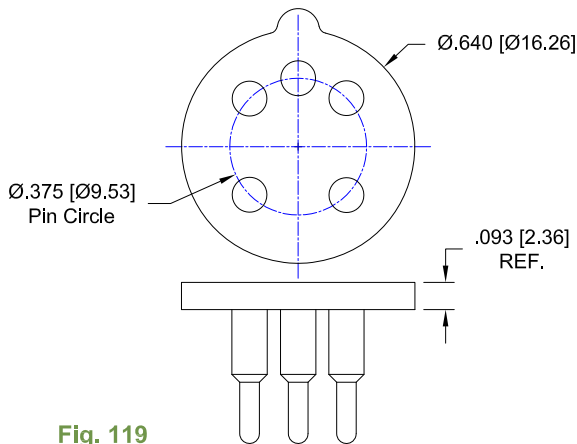
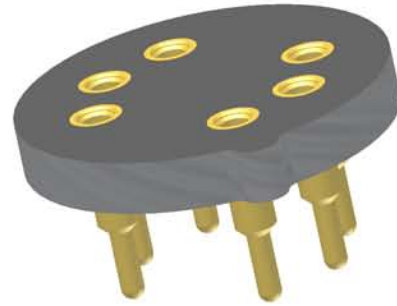


Fig. 119

Thru-Hole: R375-0805-02T-433E-R27-L14
Surface Mount: R375-0805-02T-285E-R27-L14

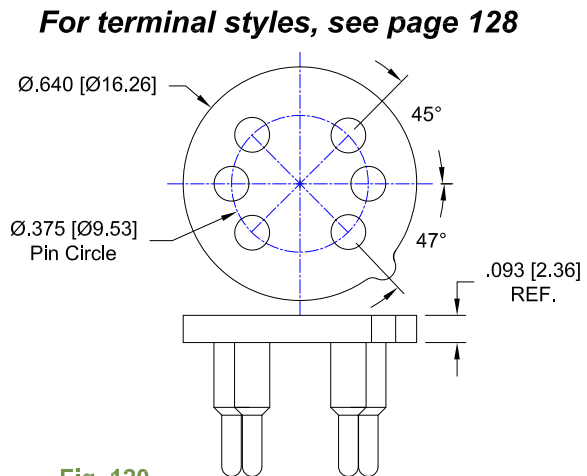


Fig. 120

Thru-Hole: R375-0806-01T-433E-R27-L14
Surface Mount: R375-0806-01T-285E-R27-L14

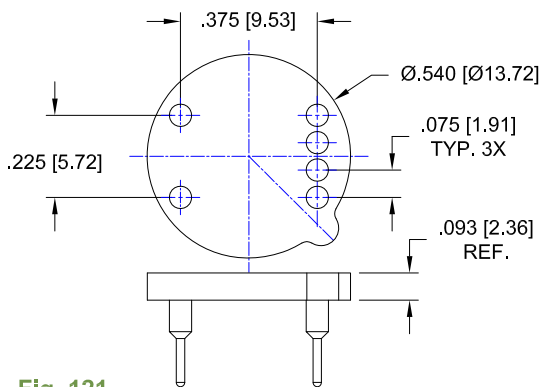


Fig. 121

Thru-Hole: R375-SP06-01T-75S-R27-L14
Surface Mount: R375-SP06-01T-265S-R27-L14

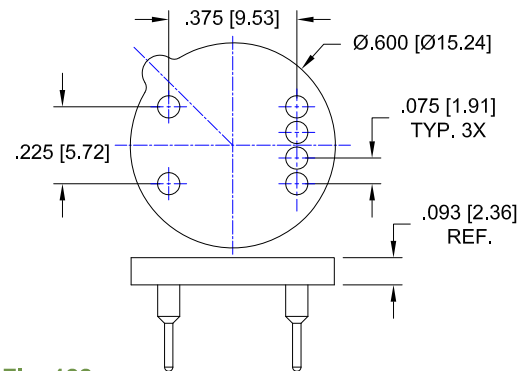


Fig. 122

Thru-Hole: R375-SP06-02T-75S-R27-L14
Surface Mount: R375-SP06-02T-384S-R27-L14

©Copyright 2013 Andon Electronics Corporation. All Rights Reserved. This material is protected under US and other copyrights and may not be copied, sold, or redistributed in any form without written permission of Andon Electronics Corporation. Copyrights and trademarks are property of their respective companies. We reserve the right to change specifications without notice.

*Sockets are not drawn to scale 01/29/13 OPTO-13A

Sensor Socket Footprints

Sockets accept $\pm .003$ [.08] diameter Pin Circles
Sockets may have a notch or tab for orientation purposes

Top View Shown

Units: in[mm]

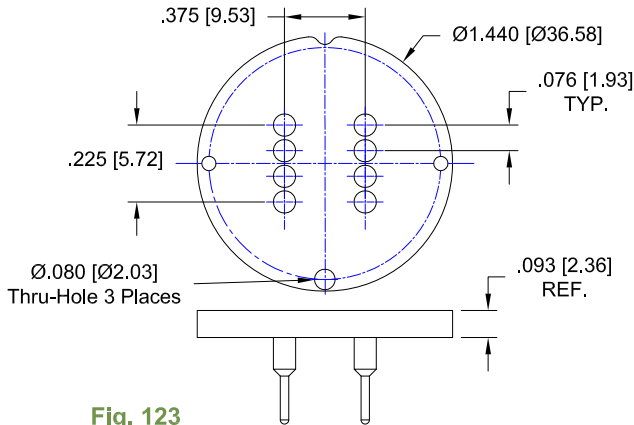


Fig. 123

Thru-Hole: R375-SP08-01N-75S-R27-L14
Surface Mount: R375-SP08-01N-265S-R27-L14

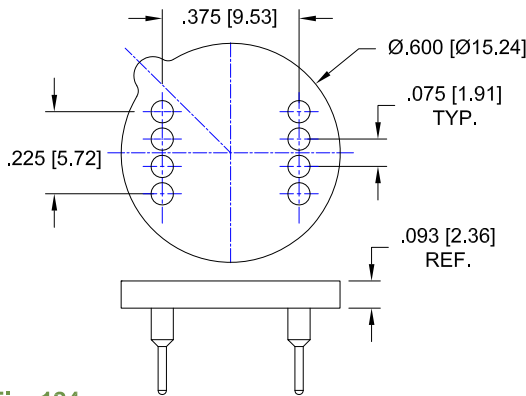
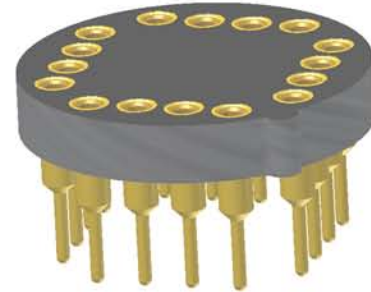


Fig. 124

Thru-Hole: R375-SP08-02T-75S-R27-L14
Surface Mount: R375-SP08-02T-265S-R27-L14

For terminal styles, see page 128

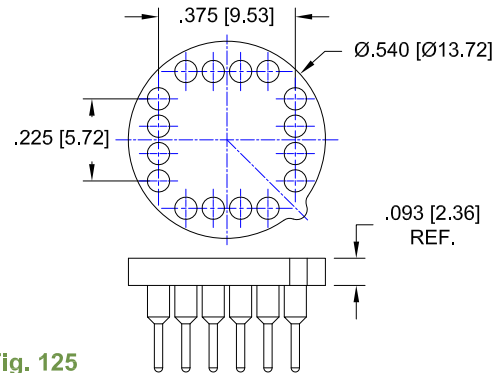


Fig. 125

Thru-Hole: R375-SP16-01T-75S-R27-L14
Surface Mount: R375-SP16-01T-265S-R27-L14

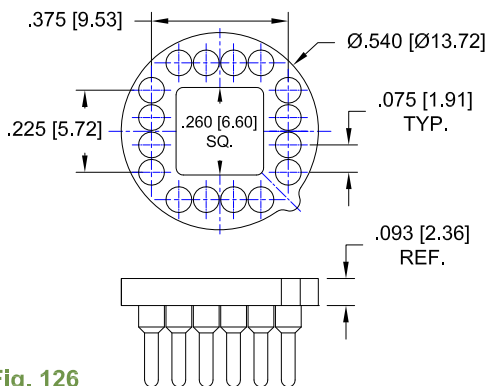


Fig. 126

Thru-Hole: R375-SP16-02T-441V-R27-L14
Surface Mount: R375-SP16-02T-442V-R27-L14

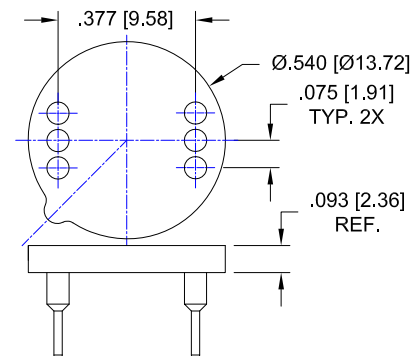


Fig. 127

Thru-Hole: R377-SP06-01T-75S-R27-L14
Surface Mount: R377-SP06-01T-265S-R27-L14

©Copyright 2013 Andon Electronics Corporation. All Rights Reserved. This material is protected under US and other copyrights and may not be copied, sold, or redistributed in any form without written permission of Andon Electronics Corporation. Copyrights and trademarks are property of their respective companies. We reserve the right to change specifications without notice.

*Sockets are not drawn to scale 01/29/13 OPTO-13A

Sensor Socket Footprints

Sockets accept $\pm .003$ [.08] diameter Pin Circles
Sockets may have a notch or tab for orientation purposes

Top View Shown

Units: in[mm]

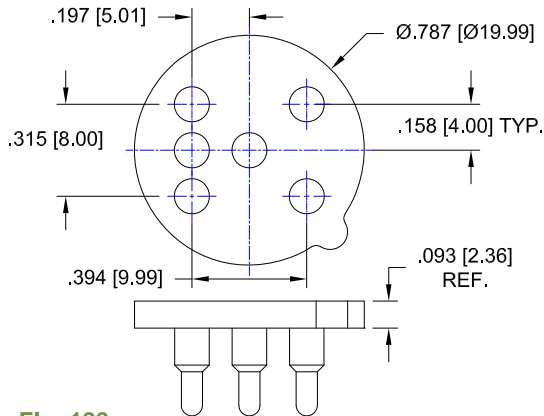


Fig. 128

Thru-Hole: R390-SP06-01T-436P55-R27-L14
Surface Mount: R390-SP06-01T-440P55-R27-L14

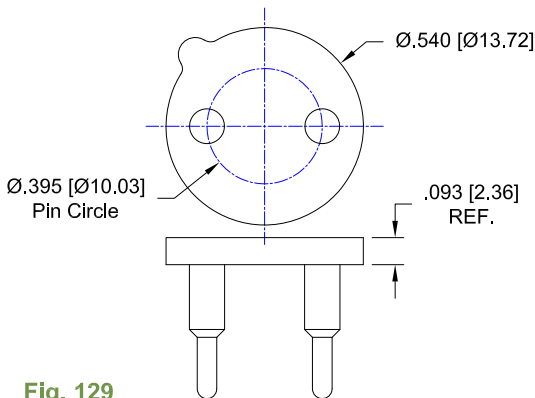


Fig. 129

Thru-Hole: R395-0402-01T-433E-R27-L14
Surface Mount: R395-0402-01T-285E-R27-L14

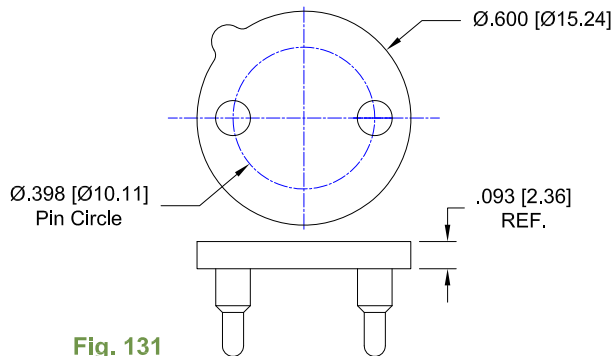
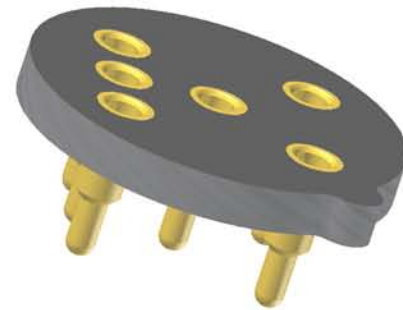


Fig. 131

Thru-Hole: R398-0402-01T-436P55-R27-L14
Surface Mount: R398-0402-01T-440P55-R27-L14



For terminal styles, see page 128

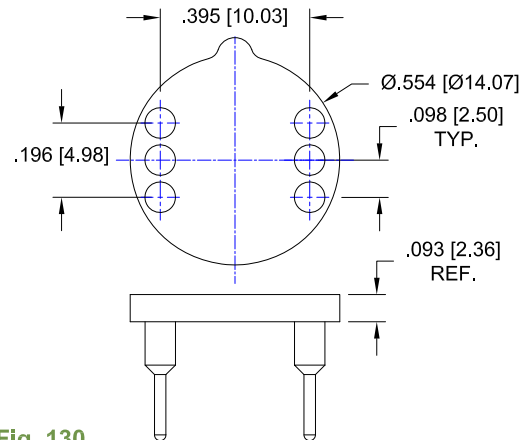


Fig. 130

Thru-Hole: R395-SP06-01T-01S-R27-L14
Surface Mount: R395-SP06-01T-93S-R27-L14

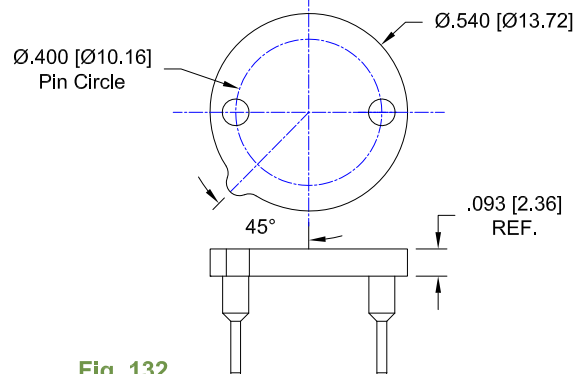


Fig. 132

Thru-Hole: R400-0802-01T-01S-R27-L14
Surface Mount: R400-0802-01T-93S-R27-L14

Sensor Socket Footprints

Sockets accept $\pm .003$ [.08] diameter Pin Circles
Sockets may have a notch or tab for orientation purposes

Top View Shown

Units: in[mm]

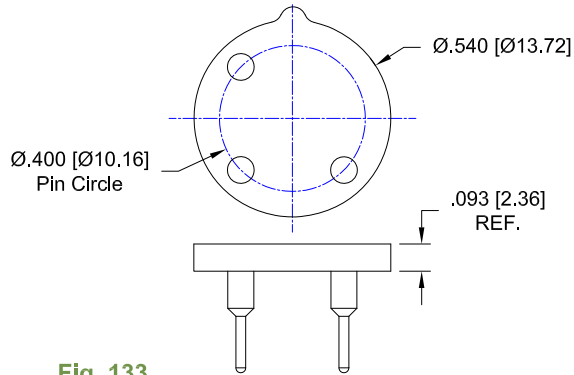


Fig. 133

Thru-Hole: R400-0803-01T-01S-R27-L14
Surface Mount: R400-0803-01T-93S-R27-L14

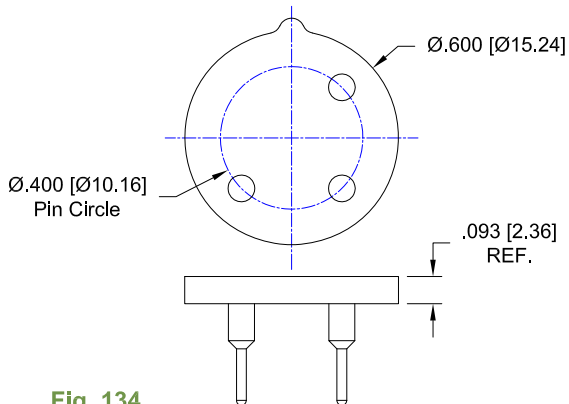


Fig. 134

Thru-Hole: R400-0803-02T-01S-R27-L14
Surface Mount: R400-0803-02T-93S-R27-L14

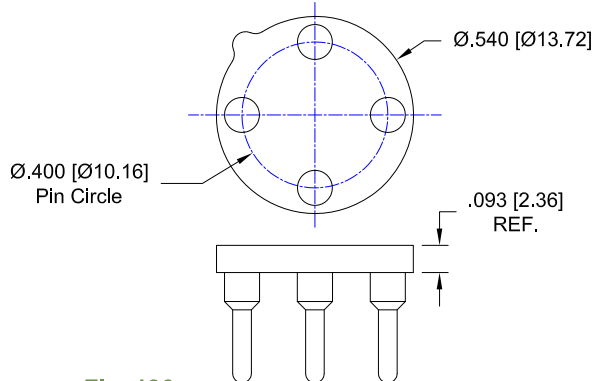


Fig. 136

Thru-Hole: R400-0804-01T-295V-R27-L14
Surface Mount: R400-0804-01T-439V-R27-L14



For terminal styles, see page 128

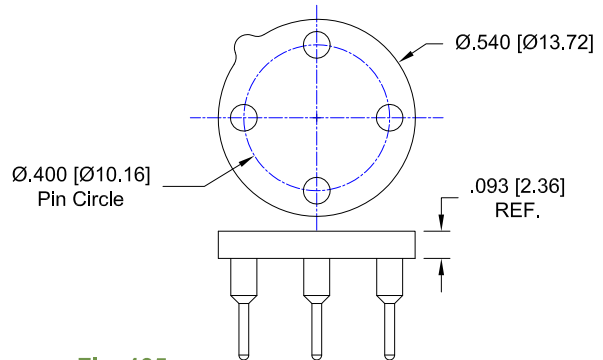


Fig. 135

Thru-Hole: R400-0804-01T-01S-R27-L14
Surface Mount: R400-0804-01T-93S-R27-L14

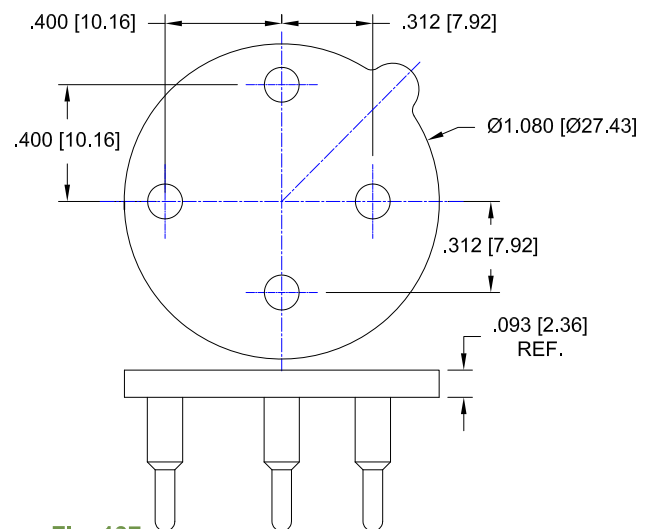


Fig. 137

Thru-Hole: R400-SP04-01T-433E-R27-L14
Surface Mount: R400-SP04-01T-285E-R27-L14

Sensor Socket Footprints

Sockets accept $\pm .003$ [.08] diameter Pin Circles
Sockets may have a notch or tab for orientation purposes

Top View Shown

Units: in[mm]

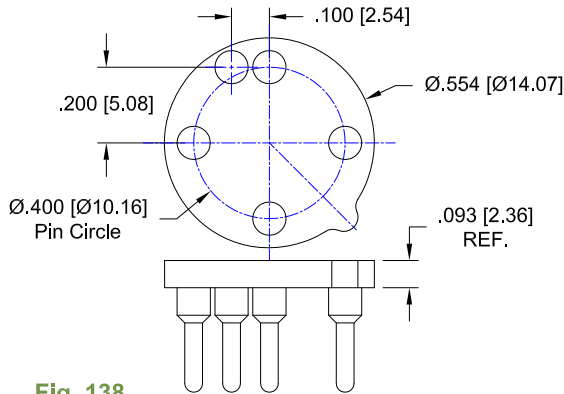
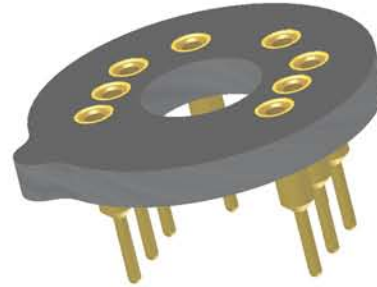


Fig. 138

Thru-Hole: R400-SP05-01T-295V-R27-L14
Surface Mount: R400-SP05-01T-439V-R27-L14



For terminal styles, see page 128

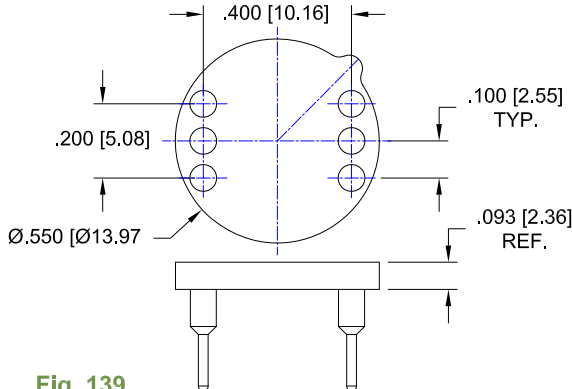


Fig. 139

Thru-Hole: R400-SP06-01T-01S-R27-L14
Surface Mount: R400-SP06-01T-93S-R27-L14

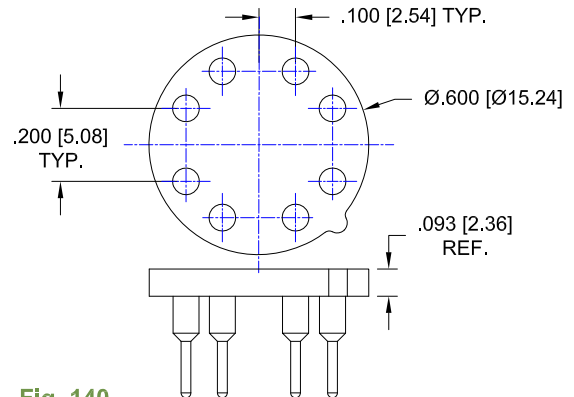


Fig. 140

Thru-Hole: R400-SP08-01T-01S-R27-L14
Surface Mount: R400-SP08-01T-93S-R27-L14

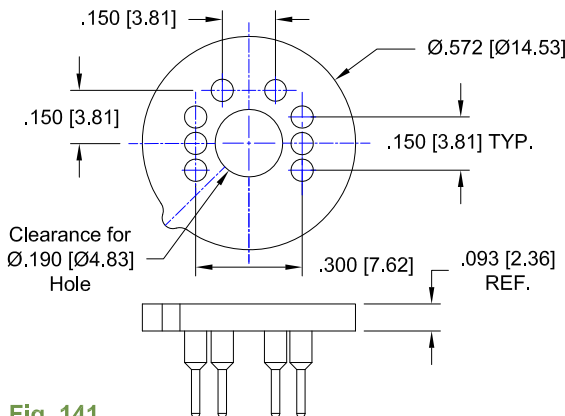


Fig. 141

Thru-Hole: R400-SP08-02T-75S-R27-L14
Surface Mount: R400-SP08-02T-265S-R27-L14

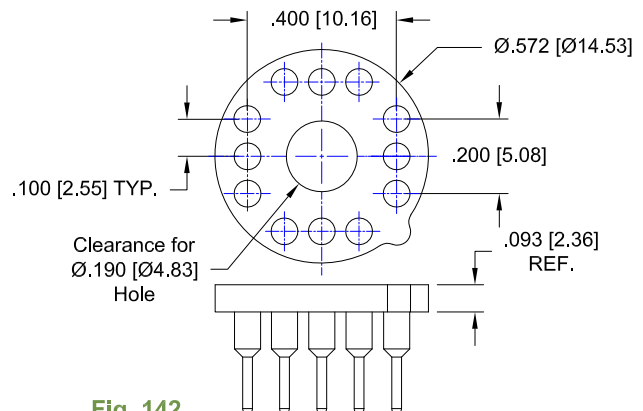


Fig. 142

Thru-Hole: R400-SP12-01T-01S-R27-L14
Surface Mount: R400-SP12-01T-93S-R27-L14

©Copyright 2013 Andon Electronics Corporation. All Rights Reserved. This material is protected under US and other copyrights and may not be copied, sold, or redistributed in any form without written permission of Andon Electronics Corporation. Copyrights and trademarks are property of their respective companies. We reserve the right to change specifications without notice.

*Sockets are not drawn to scale 01/29/13 OPTO-13A

Sensor Socket Footprints

Sockets accept $\pm .003$ [.08] diameter Pin Circles
Sockets may have a notch or tab for orientation purposes

Top View Shown

Units: in[mm]

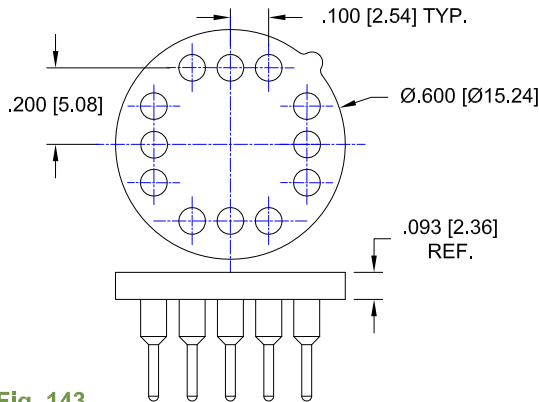
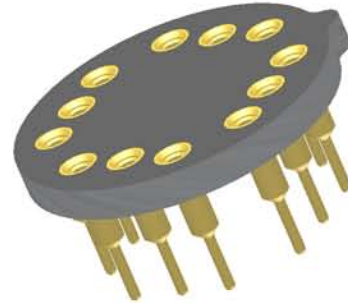


Fig. 143

Thru-Hole: R400-SP12-02T-01S-R27-L14
Surface Mount: R400-SP12-02T-93S-R27-L14



For terminal styles, see page 128

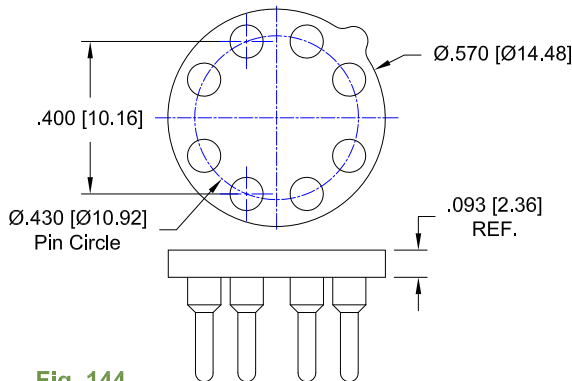


Fig. 144

Thru-Hole: R430-1008-01T-295V-R27-L14
Surface Mount: R430-1008-01T-439V-R27-L14

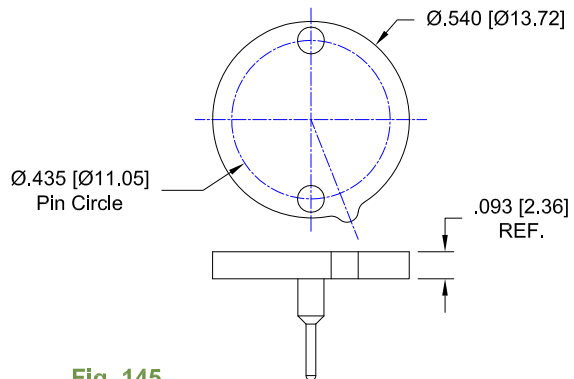


Fig. 145

Thru-Hole: R435-0402-01T-01S-R27-L14
Surface Mount: R435-0402-01T-93S-R27-L14

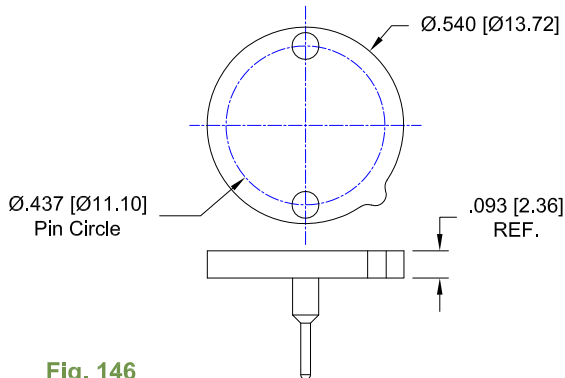


Fig. 146

Thru-Hole: R437-0402-01T-01S-R27-L14
Surface Mount: R437-0402-01T-93S-R27-L14

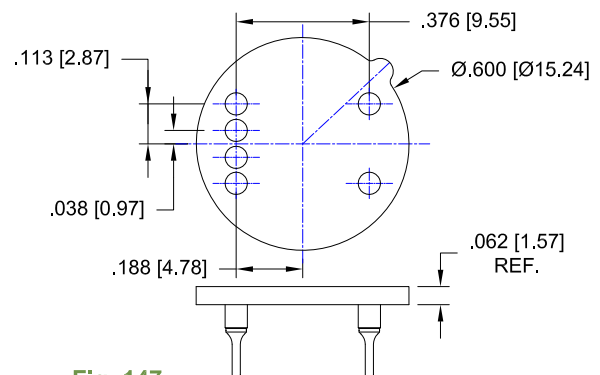


Fig. 147

Thru-Hole: R440-SP06-01T-274K-R27-L14
Surface Mount: R440-SP06-01T-281K-R27-L14

Sensor Socket Footprints

Sockets accept $\pm .003$ [.08] diameter Pin Circles
Sockets may have a notch or tab for orientation purposes

Top View Shown

Units: in[mm]

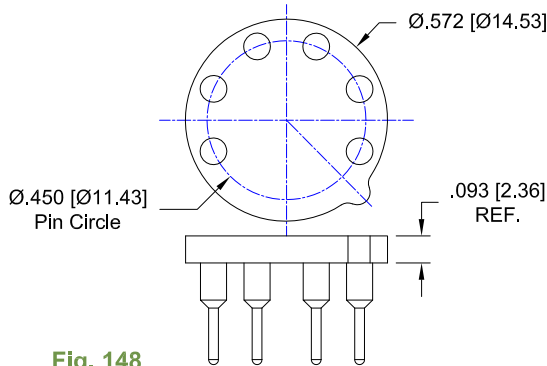


Fig. 148

Thru-Hole: R450-SP06-02T-01S-R27-L14
Surface Mount: R450-SP06-02T-93S-R27-L14

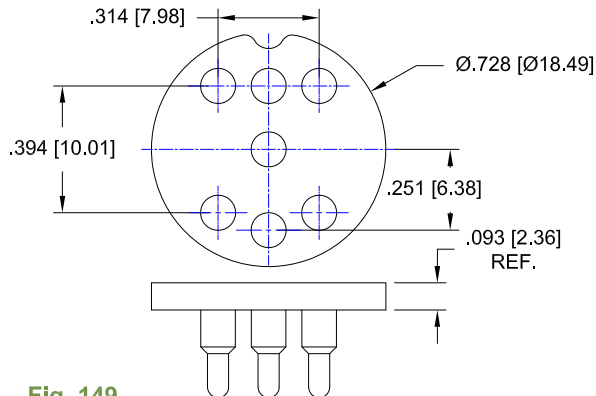


Fig. 149

Thru-Hole: R450-SP07-01N-436P55-R27-L14
Surface Mount: R450-SP07-01N-440P55-R27-L14

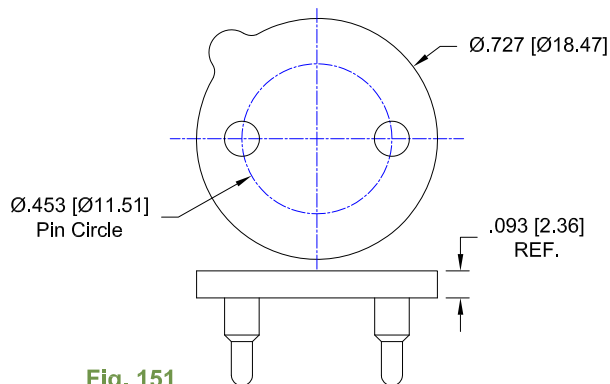
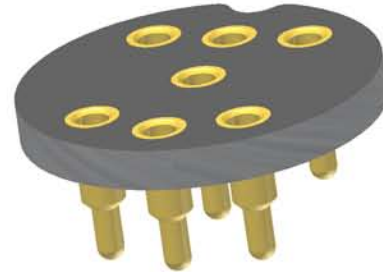


Fig. 151

Thru-Hole: R453-0402-01T-436P55-R27-L14
Surface Mount: R453-0402-01T-440P55-R27-L14



For terminal styles, see page 128

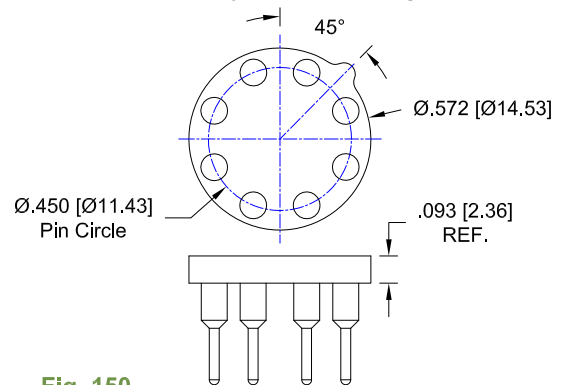


Fig. 150

Thru-Hole: R450-SP08-01T-75S-R27-L14
Surface Mount: R450-SP08-01T-265S-R27-L14

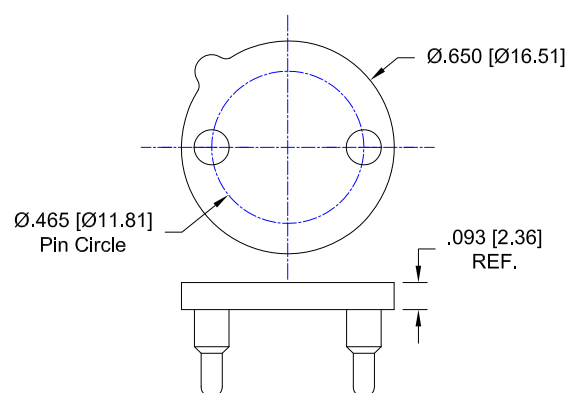


Fig. 152

Thru-Hole: R465-0402-01T-436P55-R27-L14
Surface Mount: R465-0402-01T-440P55-R27-L14

Sensor Socket Footprints

Sockets accept $\pm .003$ [.08] diameter Pin Circles
Sockets may have a notch or tab for orientation purposes

Top View Shown

Units: in[mm]

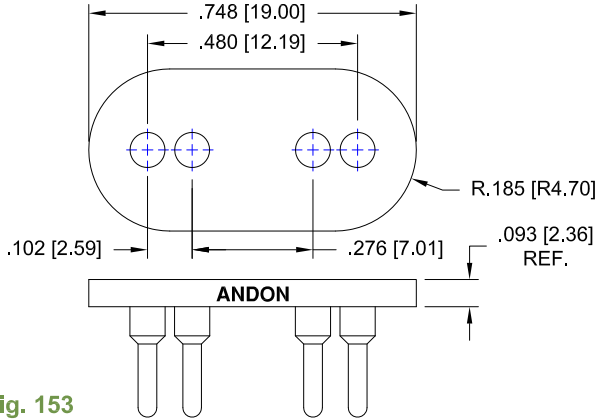


Fig. 153

Thru-Hole: R480-SP04-01-295V-R27-L14
Surface Mount: R480-SP04-01-439V-R27-L14



For terminal styles, see page 128

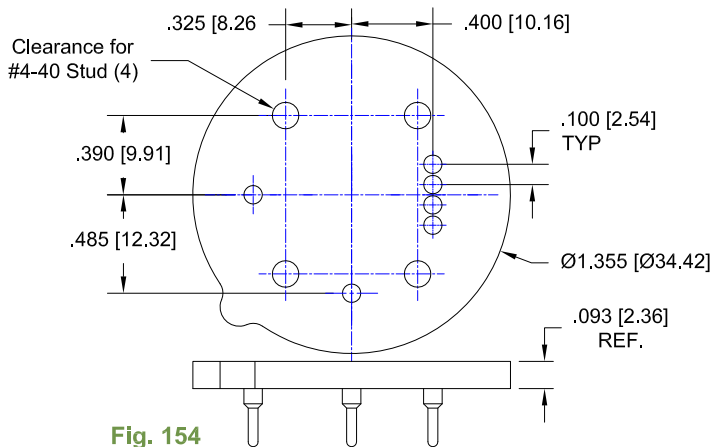


Fig. 154

Thru-Hole: R485-SP06-01T-295V-R27-L14
Surface Mount: R485-SP06-01T-439V-R27-L14

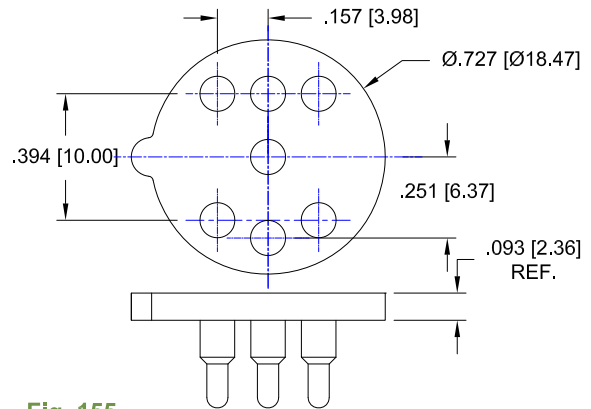


Fig. 155

Thru-Hole: R505-SP07-01T-436P55-R27-L14
Surface Mount: R505-SP07-01T-440P55-R27-L14

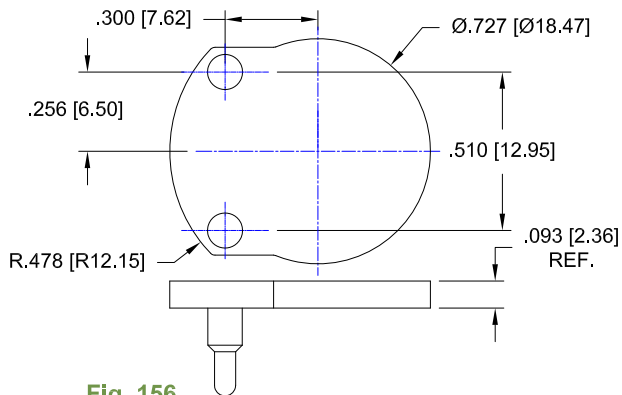


Fig. 156

Thru-Hole: R510-SP02-01-436P55-R27-L14
Surface Mount: R510-SP02-01-440P55-R27-L14

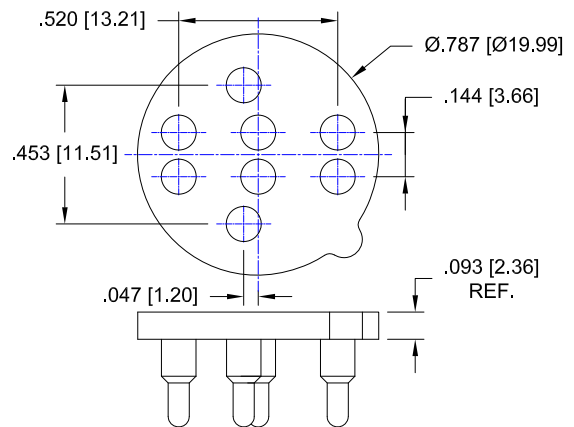


Fig. 157

Thru-Hole: R520-SP08-01T-436P55-R27-L14
Surface Mount: R520-SP08-01T-440P55-R27-L14

©Copyright 2013 Andon Electronics Corporation. All Rights Reserved. This material is protected under US and other copyrights and may not be copied, sold, or redistributed in any form without written permission of Andon Electronics Corporation. Copyrights and trademarks are property of their respective companies. We reserve the right to change specifications without notice.

*Sockets are not drawn to scale 01/29/13 OPTO-13A

Sensor Socket Footprints

Sockets accept $\pm .003$ [.08] diameter Pin Circles
Sockets may have a notch or tab for orientation purposes

Top View Shown

Units: in[mm]

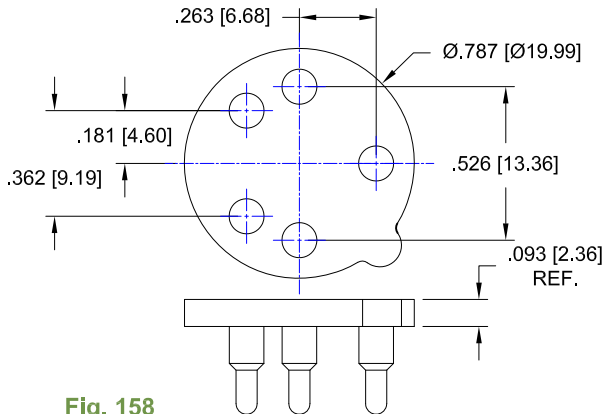


Fig. 158

Thru-Hole: R526-SP05-01T-436P55-R27-L14
Surface Mount: R526-SP05-01T-440P55-R27-L14



For terminal styles, see page 128

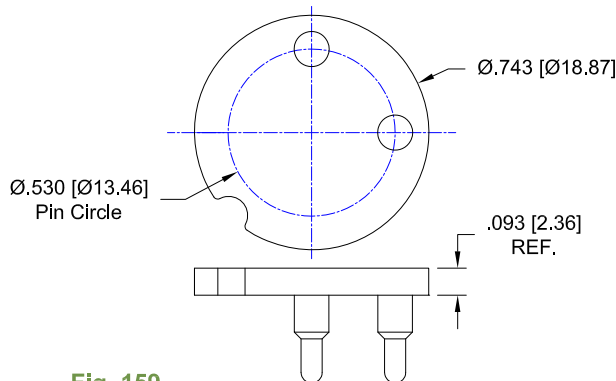


Fig. 159

Thru-Hole: R530-0402-02N-436P55-R27-L14
Surface Mount: R530-0402-02N-440P55-R27-L14

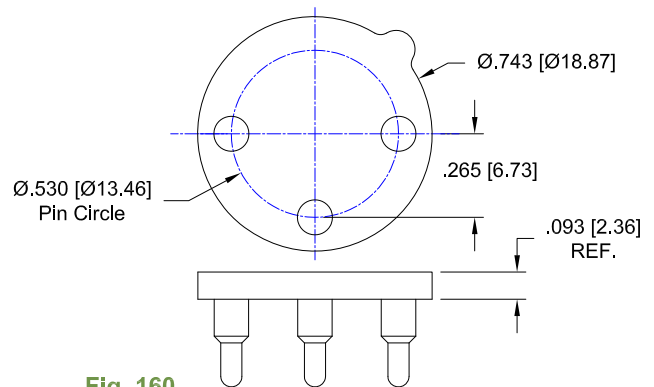


Fig. 160

Thru-Hole: R530-0403-01T-436P55-R27-L14
Surface Mount: R530-0403-01T-440P55-R27-L14

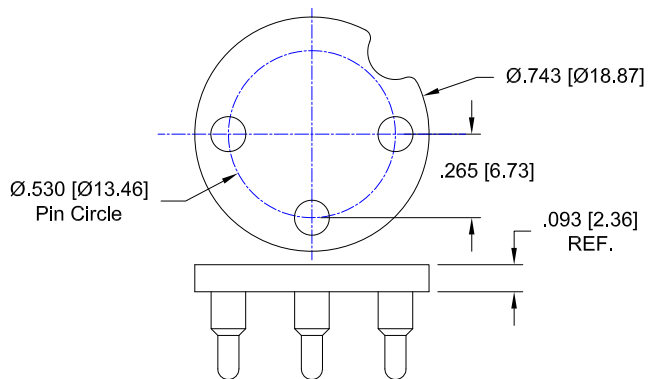


Fig. 161

Thru-Hole: R530-0403-01N-436P55-R27-L14
Surface Mount: R530-0403-01N-440P55-R27-L14

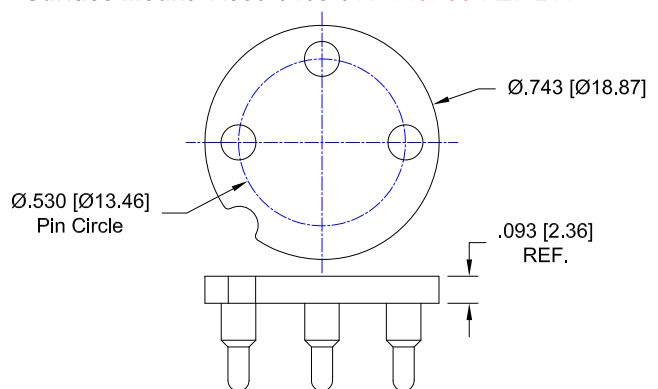


Fig. 162

Thru-Hole: R530-0403-02N-436P55-R27-L14
Surface Mount: R530-0403-02N-440P55-R27-L14

Sensor Socket Footprints

Sockets accept $\pm .003$ [.08] diameter Pin Circles
Sockets may have a notch or tab for orientation purposes

Top View Shown

Units: in[mm]

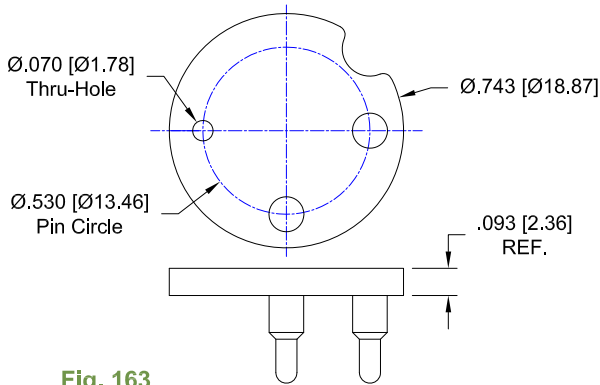


Fig. 163

Thru-Hole: R530-SP02-02N-436P55-R27-L14
Surface Mount: R530-SP02-02N-440P55-R27-L14



For terminal styles, see page 128

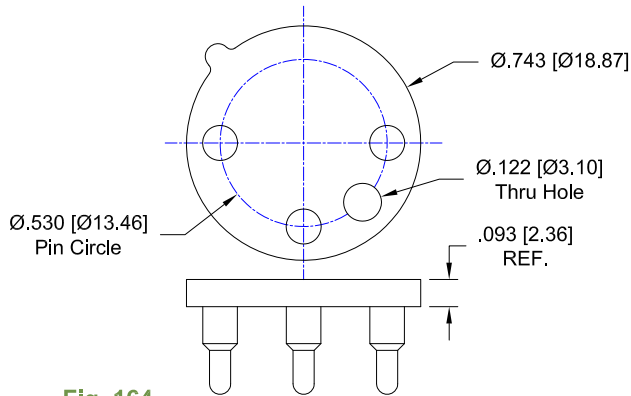


Fig. 164

Thru-Hole: R530-SP03-01T-436P55-R27-L14
Surface Mount: R530-SP03-01T-440P55-R27-L14

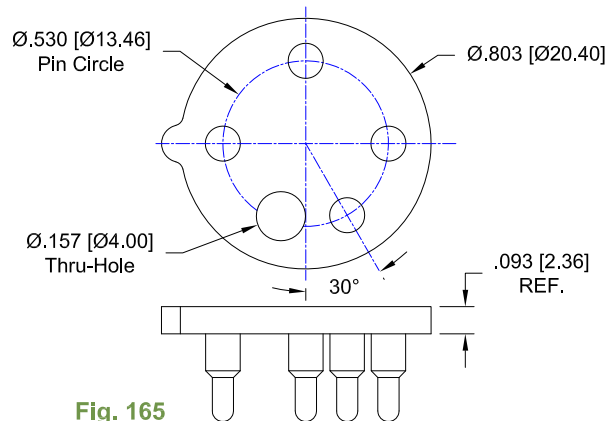


Fig. 165

Thru-Hole: R530-SP04-01T-436P55-R27-L14
Surface Mount: R530-SP04-01T-440P55-R27-L14

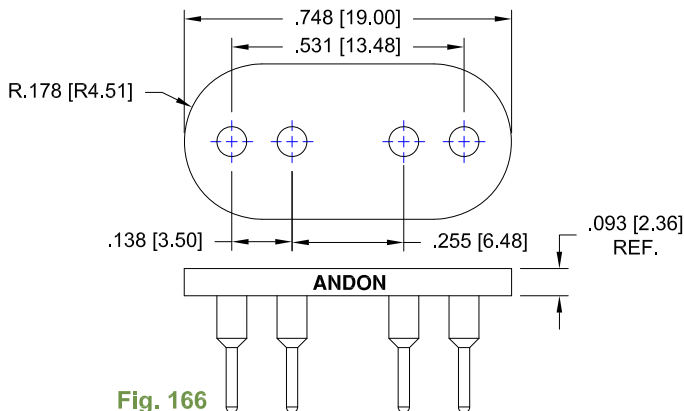


Fig. 166

Thru-Hole: R531-SP04-01-01S-R27-L14
Surface Mount: R531-SP04-01-93S-R27-L14

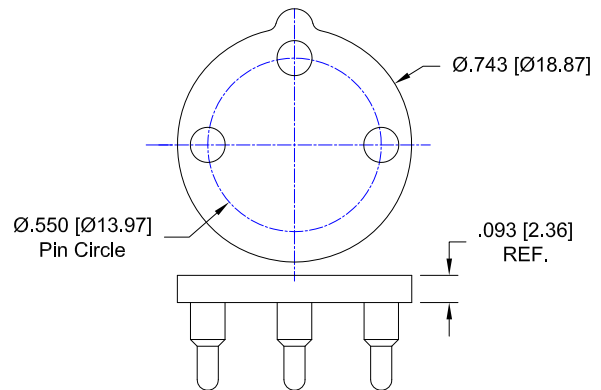


Fig. 167

Thru-Hole: R550-0803-01T-436P55-R27-L14
Surface Mount: R550-0803-01T-440P55-R27-L14

©Copyright 2013 Andon Electronics Corporation. All Rights Reserved. This material is protected under US and other copyrights and may not be copied, sold, or redistributed in any form without written permission of Andon Electronics Corporation. Copyrights and trademarks are property of their respective companies. We reserve the right to change specifications without notice.

*Sockets are not drawn to scale 01/29/13 OPTO-13A

Sensor Socket Footprints

Sockets accept $\pm .003$ [.08] diameter Pin Circles
Sockets may have a notch or tab for orientation purposes

Top View Shown

Units: in[mm]

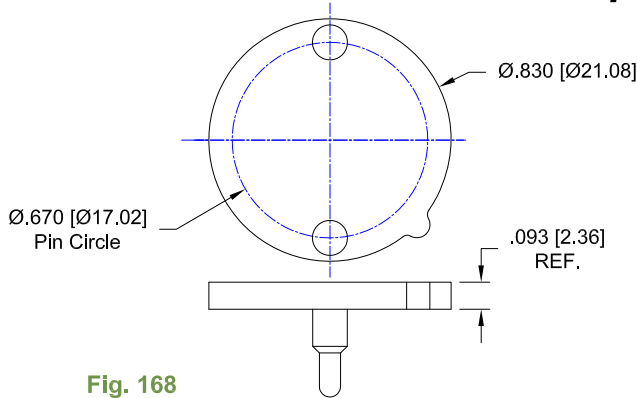


Fig. 168

Thru-Hole: R670-0802-01T-436P55-R27-L14
Surface Mount: R670-0802-01T-440P55-R27-L14



For terminal styles, see page 128

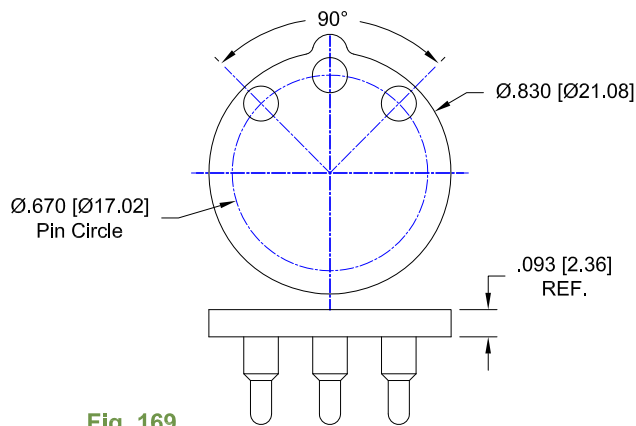


Fig. 169

Thru-Hole: R670-0803-01T-436P55-R27-L14
Surface Mount: R670-0803-01T-440P55-R27-L14

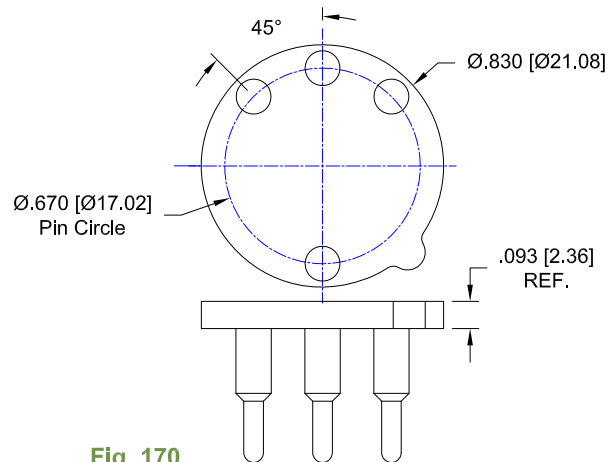


Fig. 170

Thru-Hole: R670-0804-01T-433E-R27-L14
Surface Mount: R670-0804-01T-285E-R27-L14

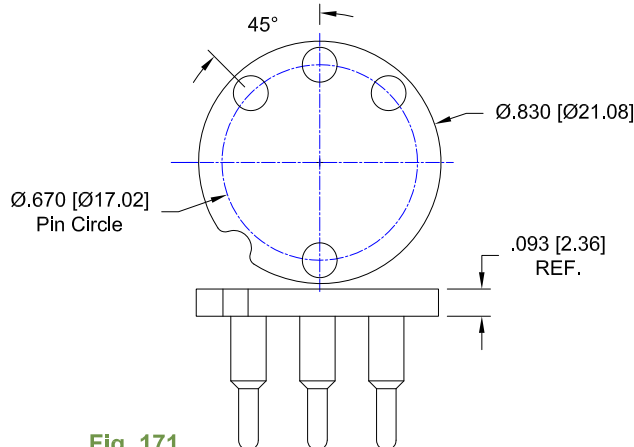


Fig. 171

Thru-Hole: R670-0804-02N-433E-R27-L14
Surface Mount: R670-0804-02N-285E-R27-L14

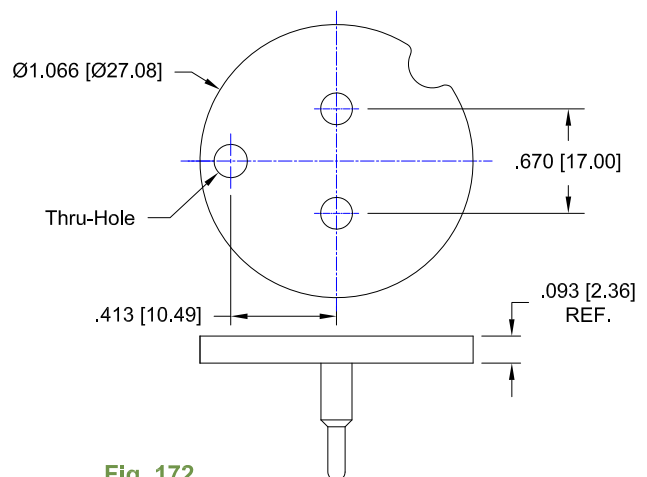


Fig. 172

Thru-Hole: R670-SP02-02N-433E-R27-L14
Surface Mount: R670-SP02-02N-285E-R27-L14

©Copyright 2013 Andon Electronics Corporation. All Rights Reserved. This material is protected under US and other copyrights and may not be copied, sold, or redistributed in any form without written permission of Andon Electronics Corporation. Copyrights and trademarks are property of their respective companies. We reserve the right to change specifications without notice.

*Sockets are not drawn to scale 01/29/13 OPTO-13A

Sensor Socket Footprints

Sockets accept $\pm .003$ [.08] diameter Pin Circles
Sockets may have a notch or tab for orientation purposes

Top View Shown

Units: in[mm]

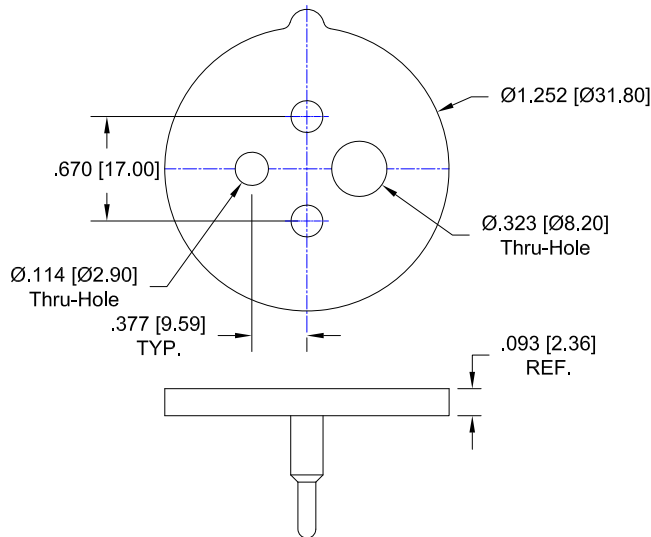


Fig. 173

Thru-Hole: R670-SP02-03T-433E-R27-L14
Surface Mount: R670-SP02-03T-285E-R27-L14

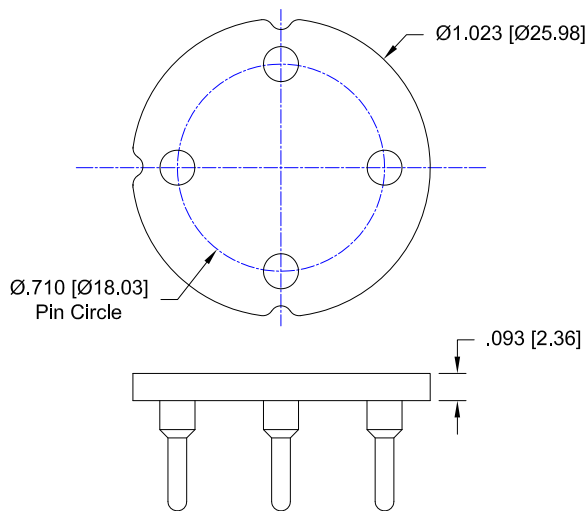


Fig. 175

Thru-Hole: R710-0404-01N-295V-R27-L14
Surface Mount: R710-0404-01N-439V-R27-L14



For terminal styles, see page 128

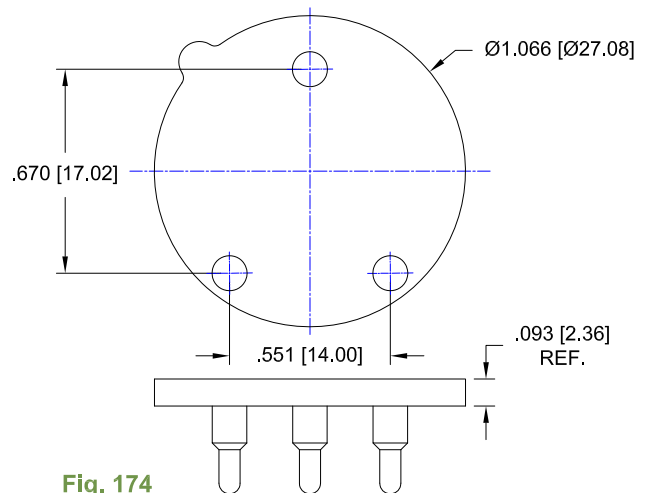


Fig. 174

Thru-Hole: R670-SP03-01T-436P55-R27-L14
Surface Mount: R670-SP03-01T-440P55-R27-L14

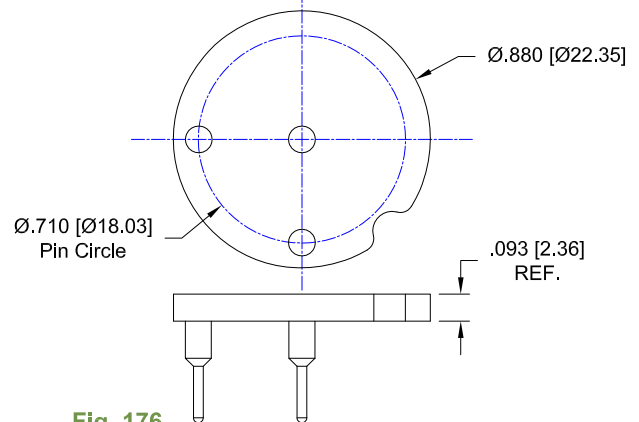


Fig. 176

Thru-Hole: R710-SP03-01N-01S-R27-L14
Surface Mount: R710-SP03-01N-93S-R27-L14

Sensor Socket Footprints

Sockets accept $\pm .003$ [.08] diameter Pin Circles
Sockets may have a notch or tab for orientation purposes

Top View Shown

Units: in[mm]

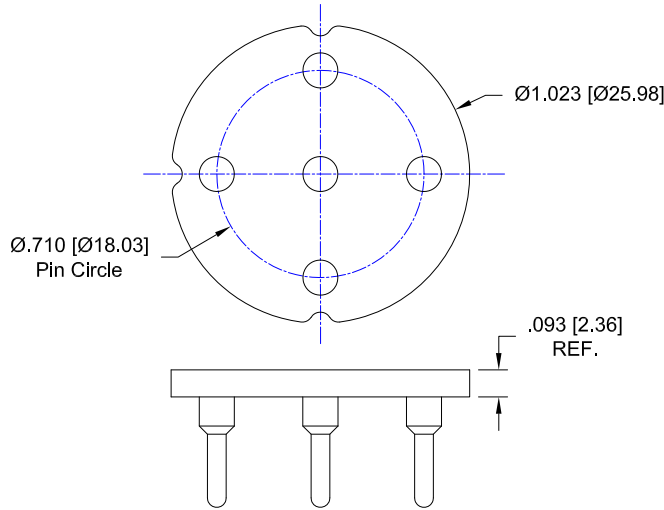
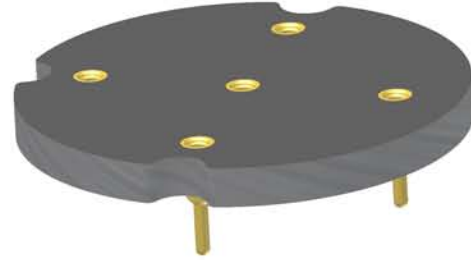


Fig. 177

Thru-Hole: R710-SP05-01N-295V-R27-L14
Surface Mount: R710-SP05-01N-439V-R27-L14

For terminal styles, see page 128

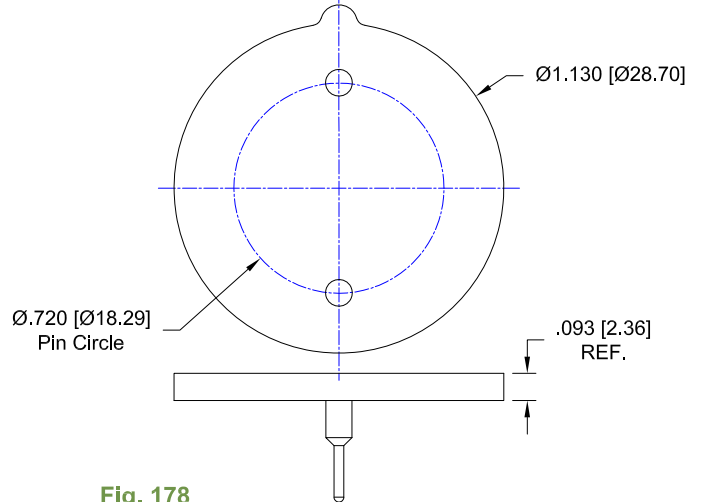


Fig. 178

Thru-Hole: R720-0402-01T-01S-R27-L14
Surface Mount: R720-0402-01T-93S-R27-L14

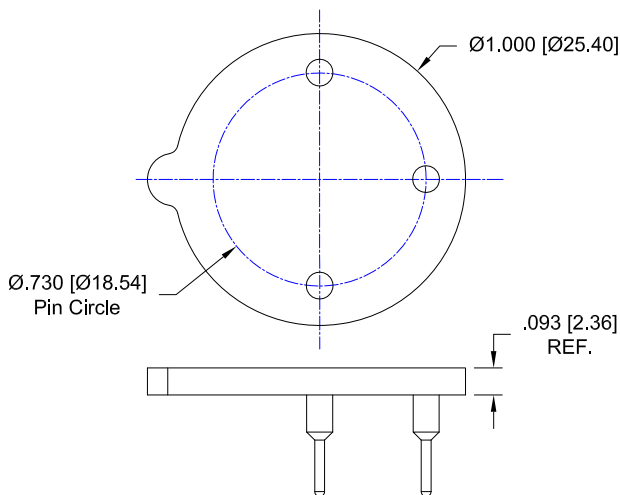


Fig. 179

Thru-Hole: R730-0803-01T-01S-R27-L14
Surface Mount: R730-0803-01T-93S-R27-L14

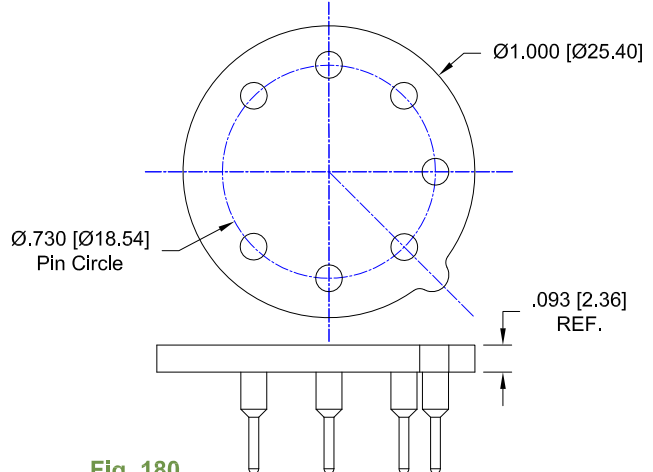


Fig. 180

Thru-Hole: R730-0807-01T-01S-R27-L14
Surface Mount: R730-0807-01T-93S-R27-L14

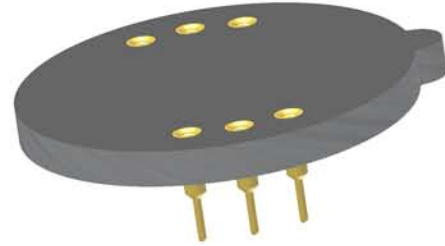
*Sockets are not drawn to scale 01/29/13 OPTO-13A

Sensor Socket Footprints

Sockets accept $\pm .003$ [.08] diameter Pin Circles
Sockets may have a notch or tab for orientation purposes

Top View Shown

Units: in[mm]



For terminal styles, see page 128

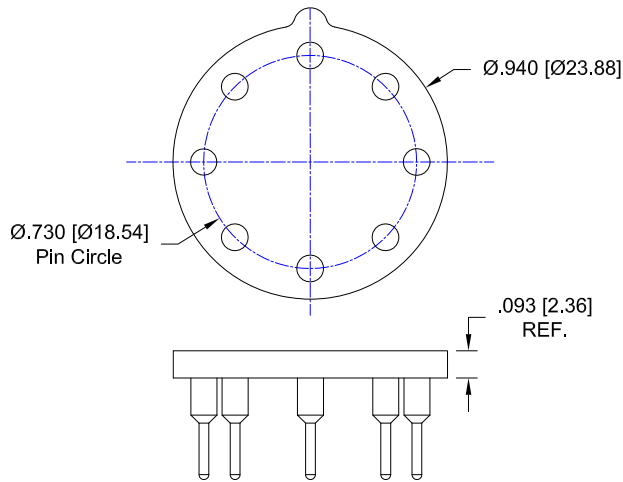


Fig. 181

Thru-Hole: R730-0808-01T-01S-R27-L14
Surface Mount: R730-0808-01T-93S-R27-L14

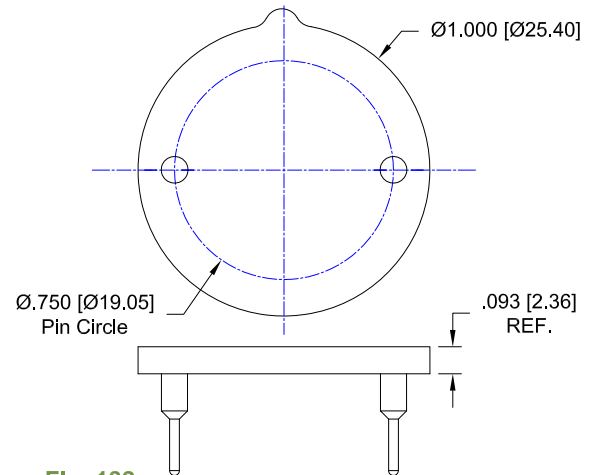


Fig. 182

Thru-Hole: R750-0402-02T-01S-R27-L14
Surface Mount: R750-0402-02T-93S-R27-L14

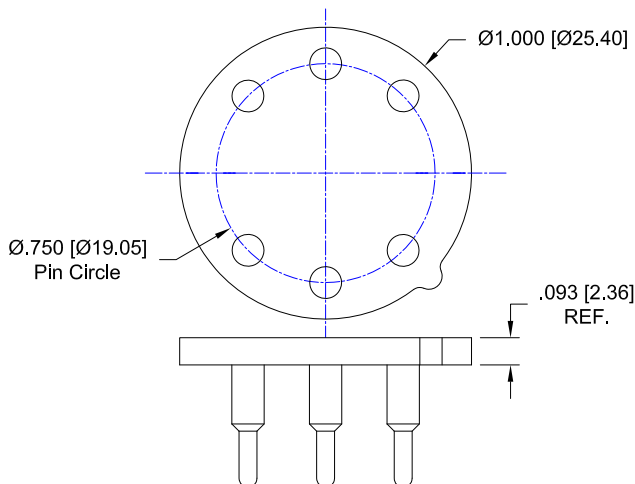


Fig. 183

Thru-Hole: R750-0806-01T-433E-R27-L14
Surface Mount: R750-0806-01T-285E-R27-L14

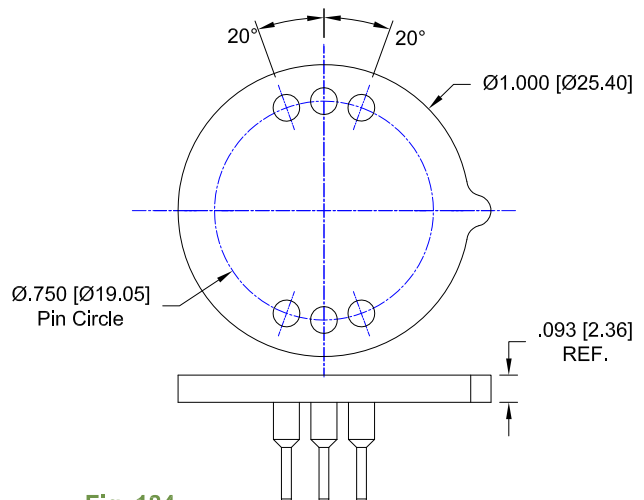


Fig. 184

Thru-Hole: R750-1806-01T-01S-R27-L14
Surface Mount: R750-1806-01T-93S-R27-L14

Sensor Socket Footprints

Sockets accept $\pm .003$ [.08] diameter Pin Circles
Sockets may have a notch or tab for orientation purposes

Top View Shown

Units: in[mm]

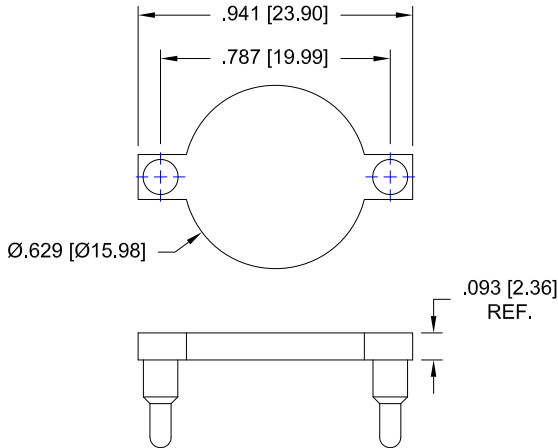


Fig. 185

Thru-Hole: R787-SP02-01-436P55-R27-L14
Surface Mount: R787-SP02-01-440P55-R27-L14

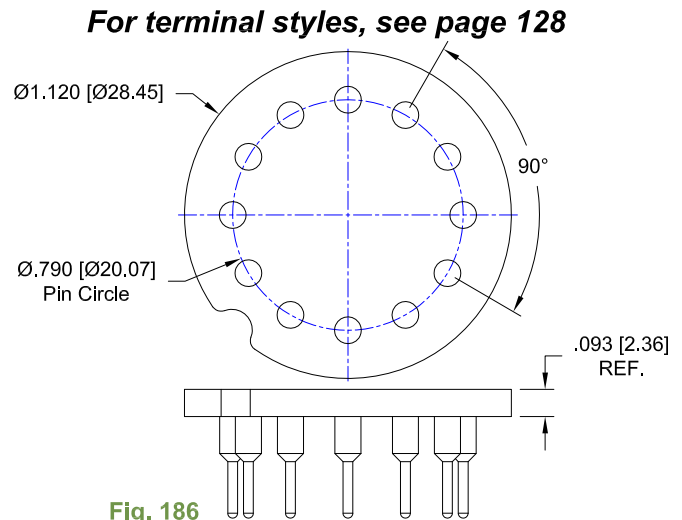


Fig. 186

Thru-Hole: R790-1212-01N-01S-R27-L14
Surface Mount: R790-1212-01N-93S-R27-L14

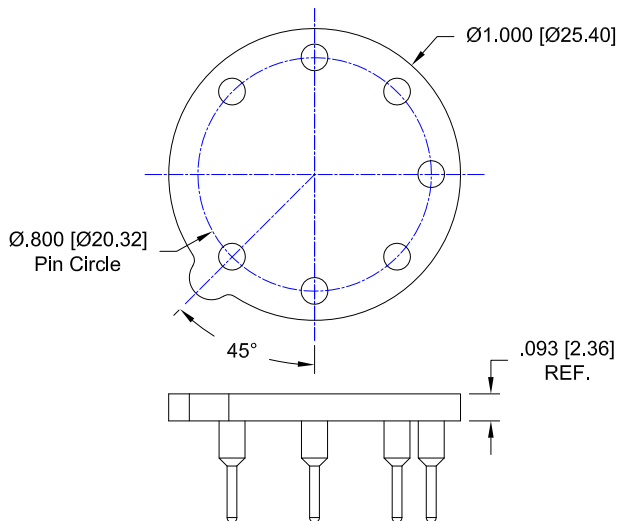


Fig. 187

Thru-Hole: R800-1207-01T-01S-R27-L14
Surface Mount: R800-1207-01T-93S-R27-L14

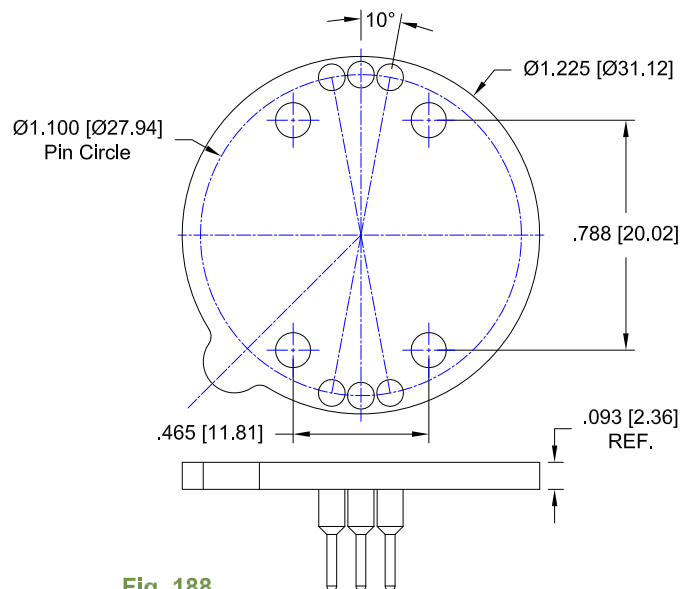


Fig. 188

Thru-Hole: R1100-SP06-01T-01S-R27-L14
Surface Mount: R1100-SP06-01T-93S-R27-L14

Sensor Socket Footprints

Sockets accept $\pm .003$ [.08] diameter Pin Circles
Sockets may have a notch or tab for orientation purposes

Top View Shown

Units: in[mm]

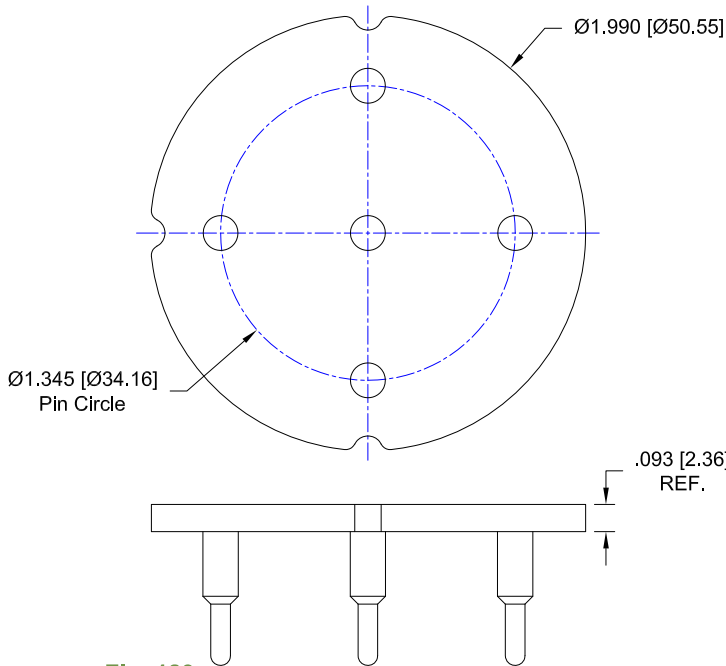
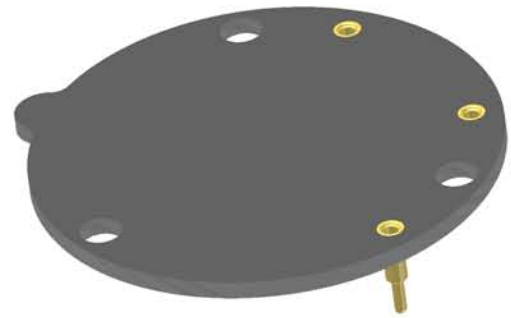


Fig. 189

Thru-Hole: R1345-SP05-01N-433E-R27-L14
Surface Mount: R1345-SP05-01N-285E-R27-L14



For terminal styles, see page 128

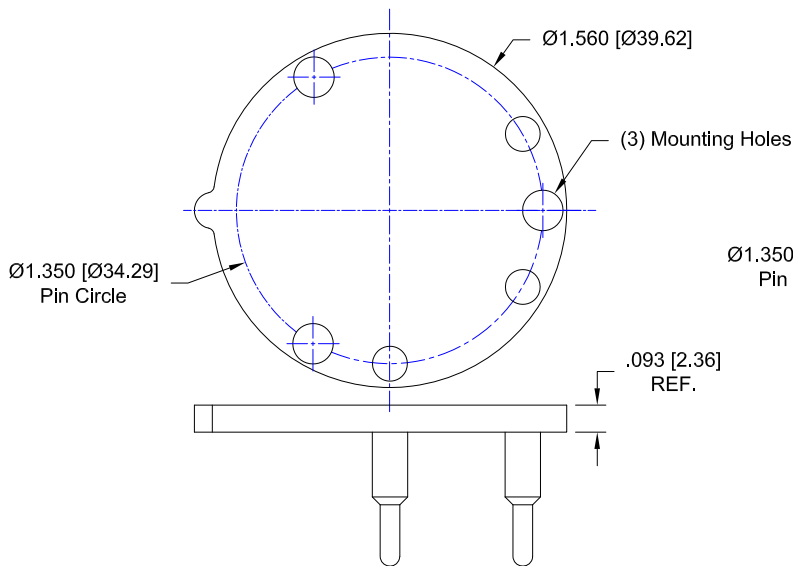


Fig. 190

Thru-Hole: R1350-SP03-01T-433E-R27-L14
Surface Mount: R1350-SP03-01T-285E-R27-L14

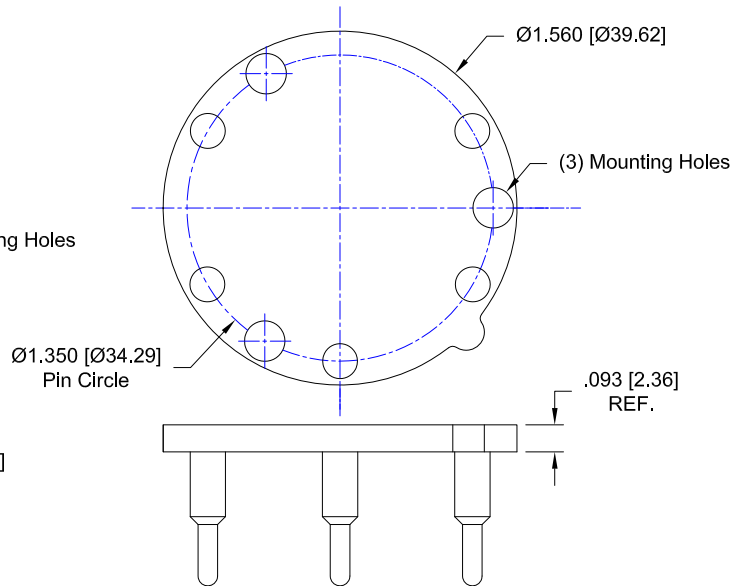


Fig. 191

Thru-Hole: R1350-SP05-02T-433E-R27-L14
Surface Mount: R1350-SP05-02T-285E-R27-L14

Sensor Socket Footprints

Sockets accept $\pm .003$ [.08] diameter Pin Circles
Sockets may have a notch or tab for orientation purposes

Top View Shown

Units: in[mm]

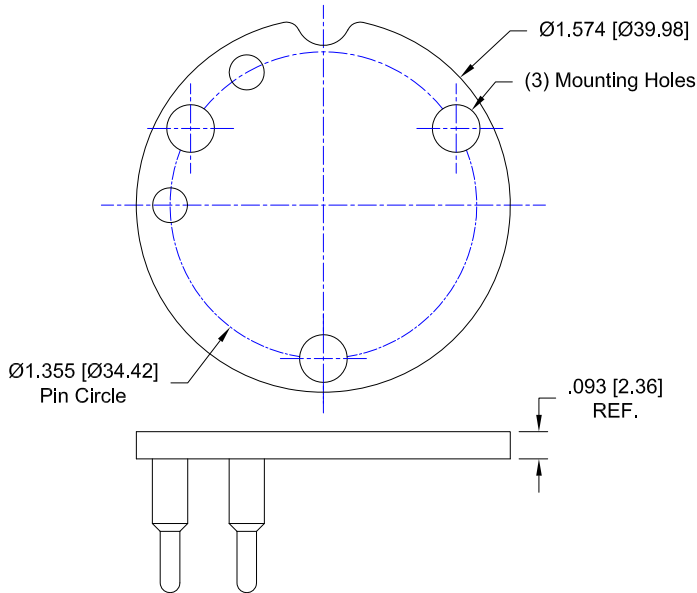


Fig. 192

Thru-Hole: R1355-SP02-02N-433E-R27-L14
Surface Mount: R1355-SP02-02N-285E-R27-L14

For terminal styles, see page 128

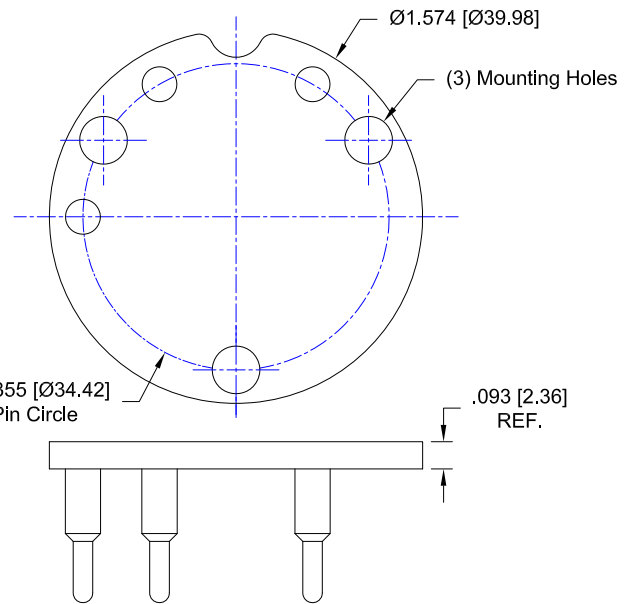


Fig. 193

Thru-Hole: R1355-SP03-01N-433E-R27-L14
Surface Mount: R1355-SP03-01N-285E-R27-L14

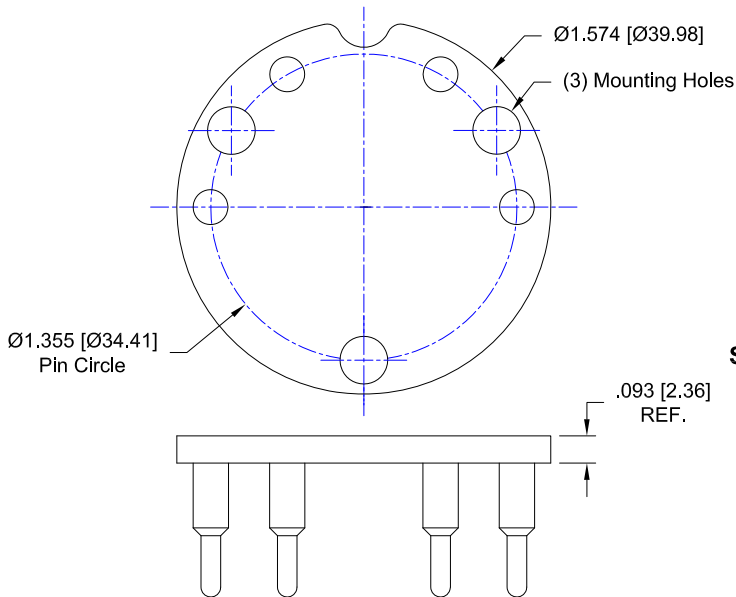


Fig. 194

THRU-HOLE: R1355-SP04-03N-433E-R27-L14
SURFACE MOUNT: R1355-SP04-03N-285E-R27-L14

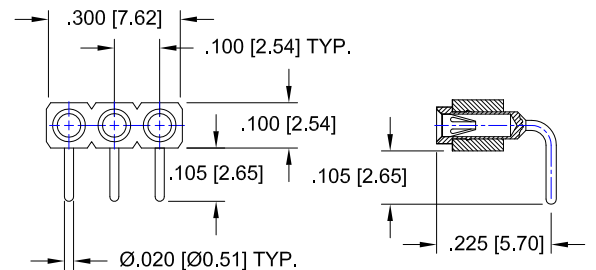


Fig. 195

Thru-Hole: 301-003-299S-R27-B10

©Copyright 2013 Andon Electronics Corporation. All Rights Reserved. This material is protected under US and other copyrights and may not be copied, sold, or redistributed in any form without written permission of Andon Electronics Corporation. Copyrights and trademarks are property of their respective companies. We reserve the right to change specifications without notice.

*Sockets are not drawn to scale 01/29/13 OPTO-13A

Flange Socket Footprints

Sockets accept $\pm .003$ [.08] diameter Pin Circles

Top View Shown

Units: in[mm]

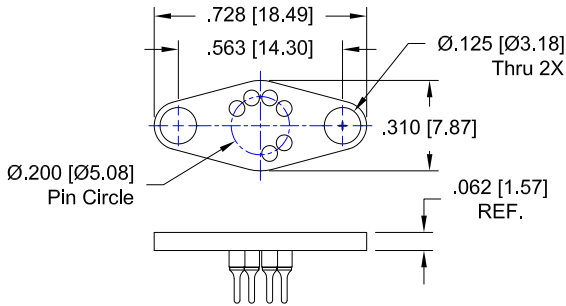


Fig. 196

Thru-Hole: F200-1006-01-274K-R27-L14
Surface Mount: F200-1006-01-281K-R27-L14

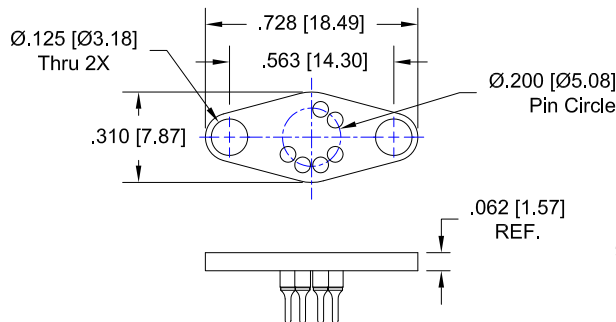


Fig. 197

Thru-Hole: F200-1006-02-274K-R27-L14
Surface Mount: F200-1006-02-281K-R27-L14

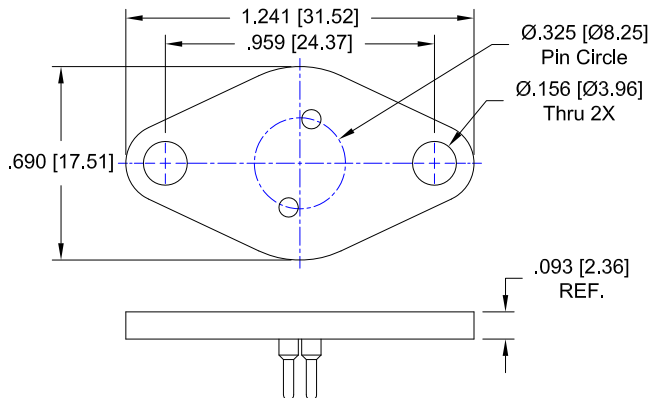
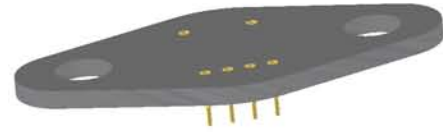


Fig. 199

Thru-Hole: F325-0402-03-295V-R27-L14
Surface Mount: F325-0402-03-439V-R27-L14



For terminal styles, see page 128

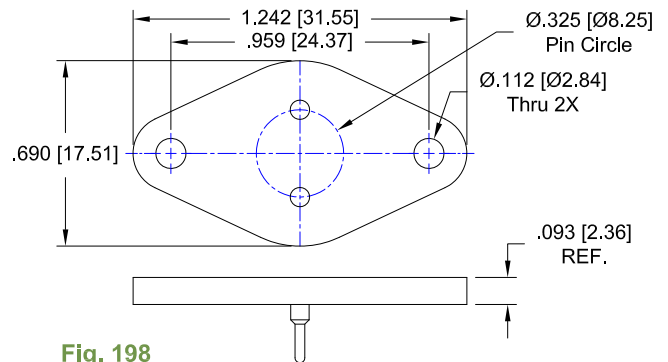


Fig. 198

Thru-Hole: F325-0402-01-295V-R27-L14
Surface Mount: F325-0402-01-439V-R27-L14

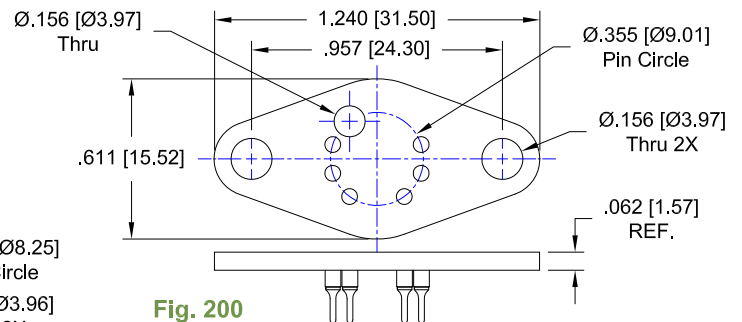


Fig. 200

Thru-Hole: F355-SP06-01-274K-R27-L14
Surface Mount: F355-SP06-01-281K-R27-L14

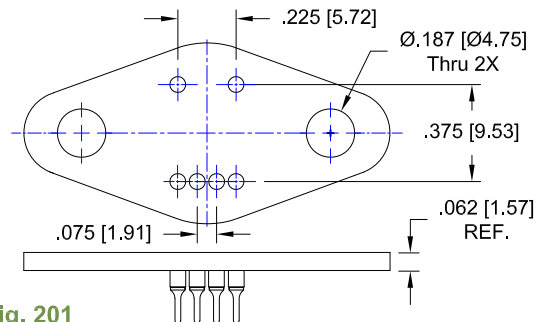


Fig. 201

Thru-Hole: F375-SP06-01-274K-R27-L14
Surface Mount: F375-SP06-01-281K-R27-L14

Flange Socket Footprints

Sockets accept $\pm .003$ [.08] diameter Pin Circles

Top View Shown

Units: in[mm]

For terminal styles, see page 128

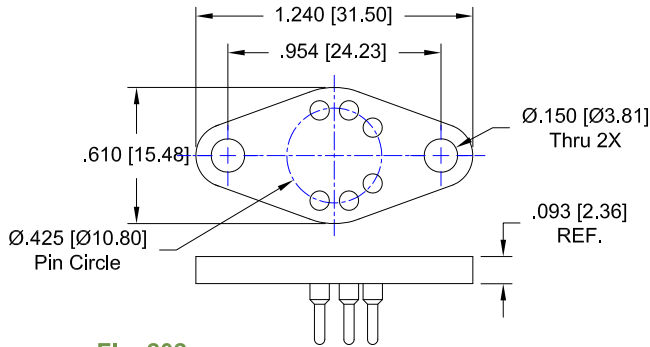


Fig. 202

Thru-Hole: F425-1006-01-295V-R27-L14

Surface Mount: F425-1006-01-439V-R27-L14

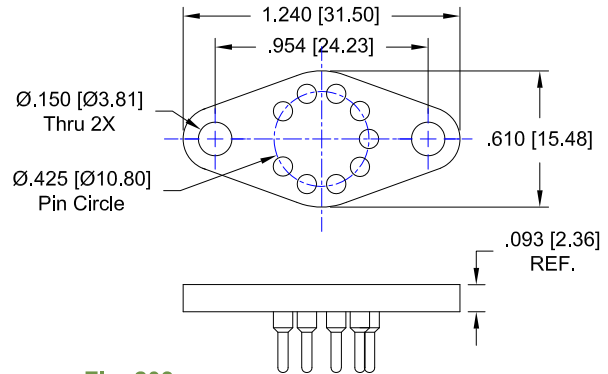


Fig. 203

Thru-Hole: F425-1009-01-295V-R27-L14

Surface Mount: F425-1009-01-439V-R27-L14

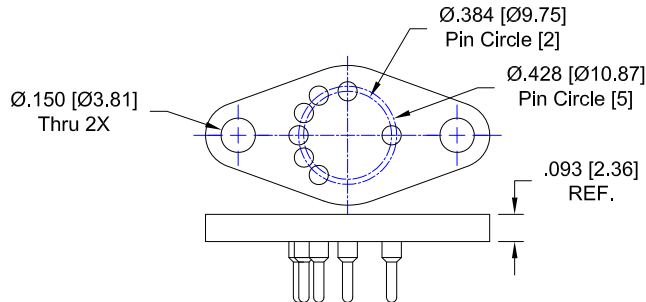


Fig. 204

Thru-Hole: F430-SP07-01-295V-R27-L14

Surface Mount: F430-SP07-01-439V-R27-L14

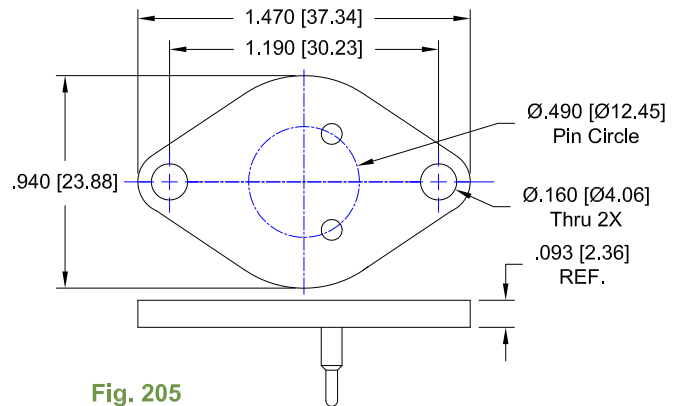


Fig. 205

Thru-Hole: F490-SP02-01-433E-R27-L14

Surface Mount: F490-SP02-01-285E-R27-L14

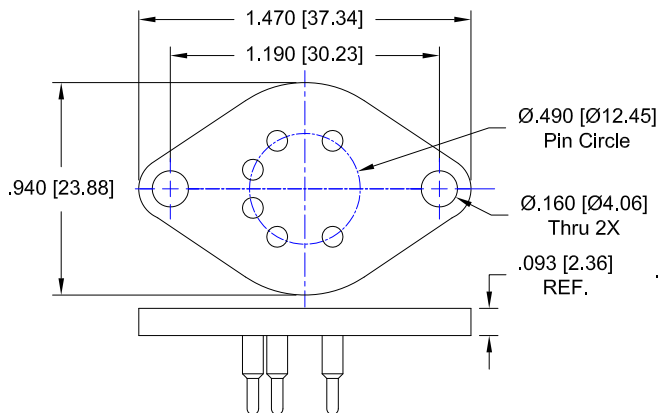


Fig. 206

Thru-Hole: F490-SP06-01-433E-R27-L14

Surface Mount: F490-SP06-01-285E-R27-L14

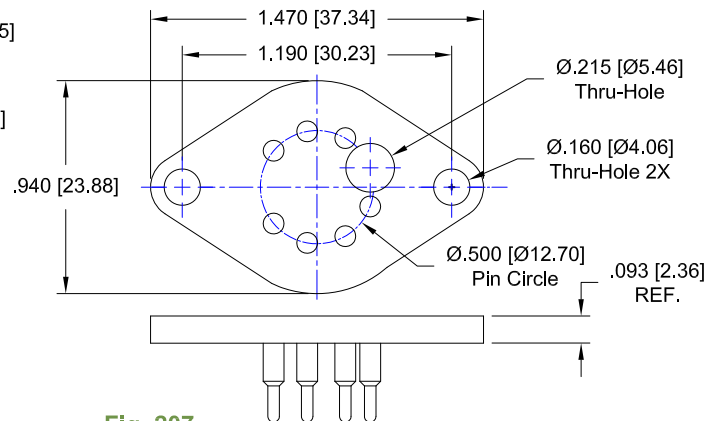


Fig. 207

Thru-Hole: F500-SP07-01-433E-R27-L14

Surface Mount: F500-SP07-01-285E-R27-L14

*Sockets are not drawn to scale 01/29/13 OPTO-13A

Flange Socket Footprints

Sockets accept $\pm .003$ [.08] diameter Pin Circles

Top View Shown

Units: in[mm]

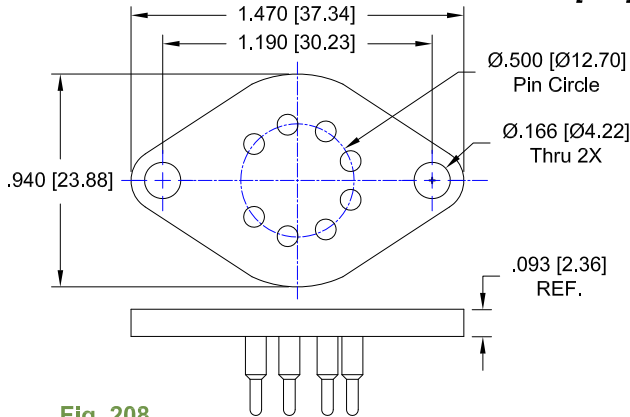


Fig. 208

Thru-Hole: F500-SP09-01-433E-R27-L14
Surface Mount: F500-SP09-01-285E-R27-L14

For terminal styles, see page 128

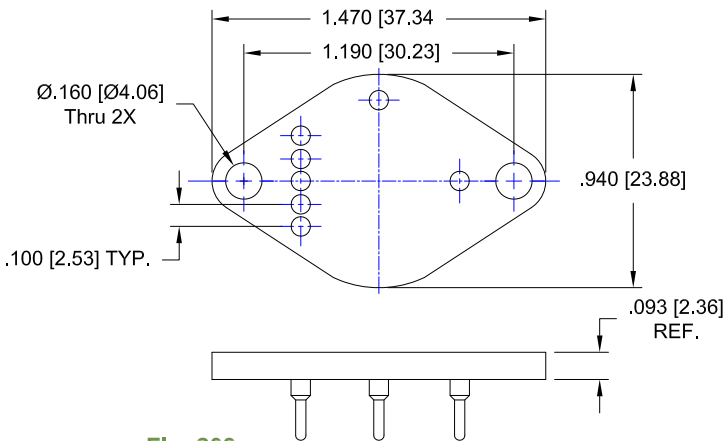


Fig. 209

Thru-Hole: F700-SP07-01-295V-R27-L14
Surface Mount: F700-SP07-01-439V-R27-L14

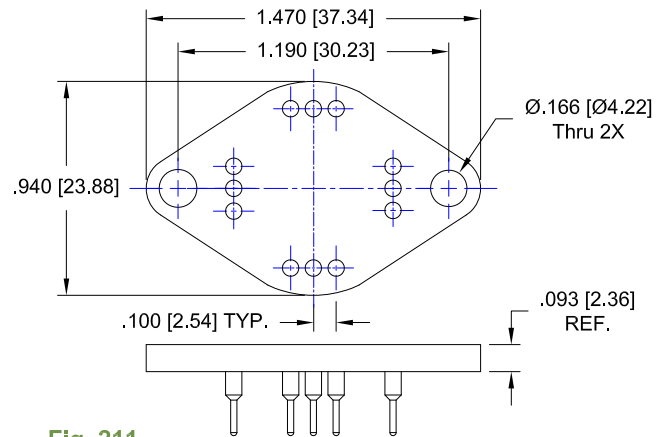


Fig. 211

Thru-Hole: F700-SP12-01-01S-R27-L14
Surface Mount: F700-SP12-01-93S-R27-L14

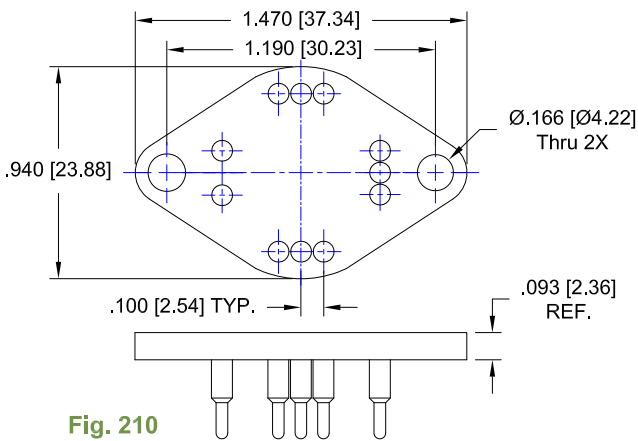


Fig. 210

Thru-Hole: F700-SP11-01-433E-R27-L14
Surface Mount: F700-SP11-01-285E-R27-L14

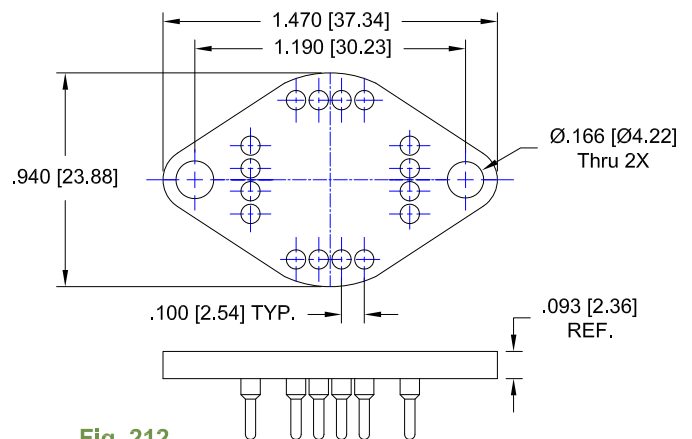


Fig. 212

Thru-Hole: F700-SP16-01-295V-R27-L14
Surface Mount: F700-SP16-01-439V-R27-L14

©Copyright 2013 Andon Electronics Corporation. All Rights Reserved. This material is protected under US and other copyrights and may not be copied, sold, or redistributed in any form without written permission of Andon Electronics Corporation. Copyrights and trademarks are property of their respective companies. We reserve the right to change specifications without notice.

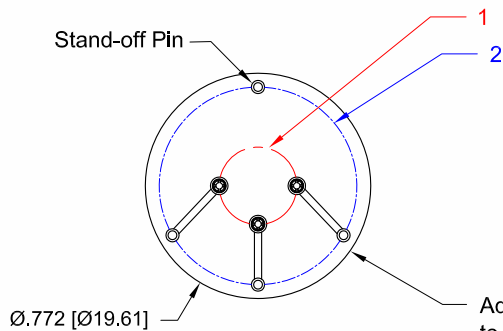
*Sockets are not drawn to scale 01/29/13 OPTO-13A

Sensor Adapter Socket Footprints

Sockets accept $\pm .003$ [.08] diameter Pin Circles

Top View Shown

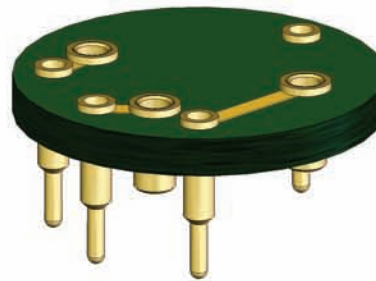
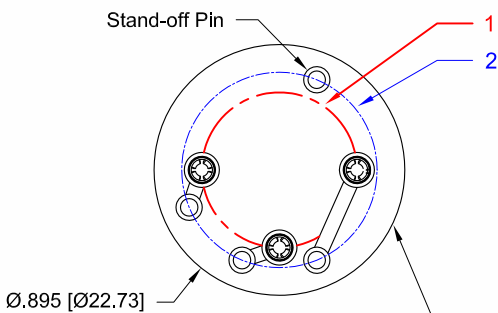
Units: in[mm]



Adapter converts a $\text{Ø} .530$ [$\text{Ø}13.46$] $\pm .003$ [.076] ① Pin Circle Device to a $\text{Ø}1.545$ [$\text{Ø}39.24$] $\pm .003$ [.076] ② Pin Circle Device using Gold plated Copper traces.

Fig. 213

Surface Mount: RA530-0403-01-440P55-R27-L14
Series 4 to Series 3 Adapter



Adapter converts a $\text{Ø} .530$ [$\text{Ø}13.46$] $\pm .003$ [.076] ① Pin Circle Device to a $\text{Ø} .670$ [$\text{Ø}17.01$] $\pm .003$ [.076] ② Pin Circle Device using Gold plated Copper traces.

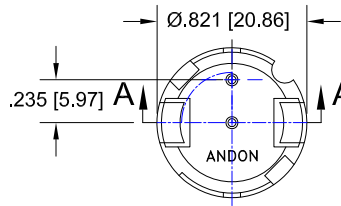
Fig. 214

Surface Mount: RA530-0403-02-440P55-R27-L14
Series 4 to Series 7 Adapter

Andon Battery Sockets

Top View Shown

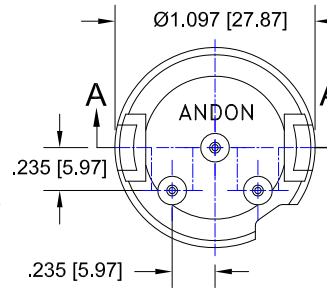
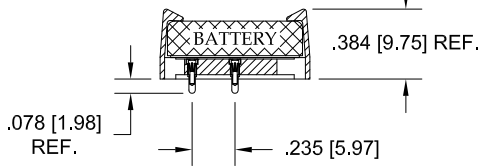
Units: in[mm]



Andon Socket:
BS-2450-02-XXX-XXX-D14
(For plating/terminal options See Below)
Batteries Accepted:
Tadiran TL-2450
Tadiran TLH-2450

CELL SIZE
2450

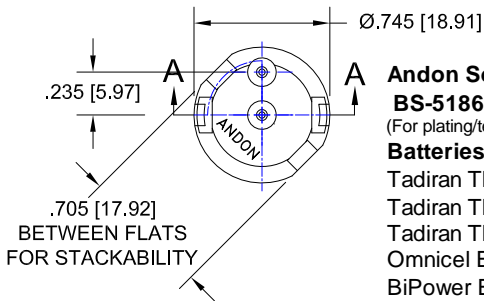
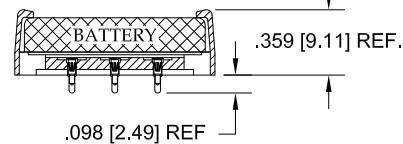
SECTION A-A



Andon Socket:
BS-5134-03-XXX-XXX-D14
(For plating/terminal options See Below)
Batteries Accepted:
Tadiran TL-2134
Tadiran TL-4934
Tadiran TL-5134
Tadiran TL-5934
Tadiran TLH-5934
OmniCel ER32L65
OmniCel ER49L65
BiPower ER32065

CELL SIZE
1/10 D

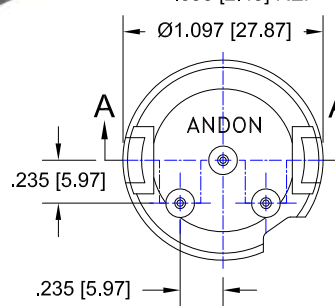
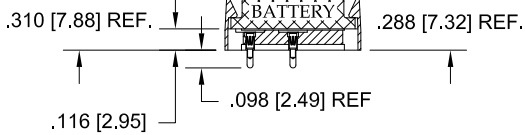
SECTION A-A



Andon Socket:
BS-5186-02-XXX-XXX-D14
(For plating/terminal options See Below)
Batteries Accepted:
Tadiran TL-2186
Tadiran TL-4986
Tadiran TL-5186
Omnicel ER22G68
BiPower ER22G68

CELL SIZE
BELL

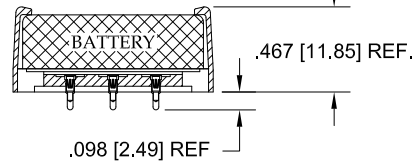
SECTION A-A



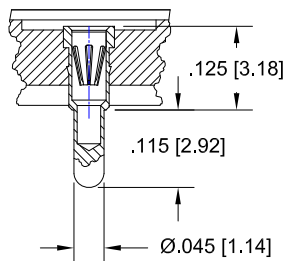
Andon Socket:
BS-5135-03-XXX-XXX-D14
(For plating/terminal options See Below)
Batteries Accepted:
Tadiran TL-2135
Tadiran TL-4935
Tadiran TL-5135
Tadiran TL-5935
Tadiran TLH-5935
Omnicel ER32L100
BiPower ER32100

CELL SIZE
1/6 D

SECTION A-A

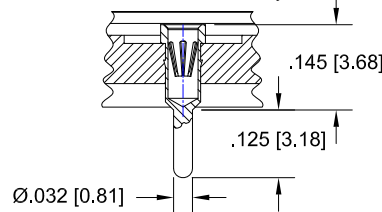


-280V Socket Assembly



Mounting Hole Diameter:
Ø .055 [1.40] - Ø.065 [1.65]
Accepts Battery Tail Length:
.135 [3.43] - .210 [5.33]
Accepts Tail Diameter:
Ø.025 [0.64] - Ø.037 [0.94]

-295V Socket Assembly



Mounting Hole Diameter:
Ø .042 [1.07] - Ø.052 [1.32]
Accepts Battery Tail Length:
.115 [2.92] - .132 [3.35]
Accepts Tail Diameter:
Ø.025 [0.64] - Ø.037 [0.94]

TECHNICAL INFORMATION

MATERIAL:

INSULATOR: UL 94V-O

TERMINAL: BRASS, PER ASTM-B16

CONTACT: BeCu, PER ASTM-B194

FORCES: (STANDARD) SEE BELOW

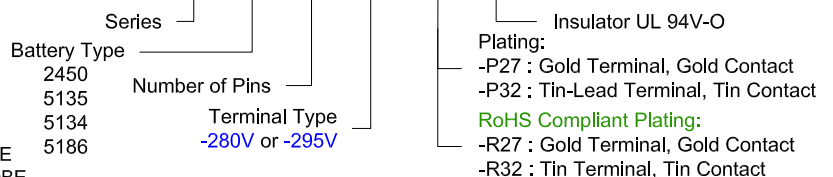
"V" INSERTION: 13.23 oz. MAX. WITH .026 [0.66] DIA. PROBE

WITHDRAWAL: 3.53 oz. MIN. WITH .026 [0.66] DIA. PROBE

©Copyright 2013 Andon Electronics Corporation. All Rights Reserved. This material is protected under US and other copyrights and may not be copied, sold, or redistributed in any form without written permission of Andon Electronics Corporation. Copyrights and trademarks are property of their respective companies. We reserve the right to change specifications without notice.

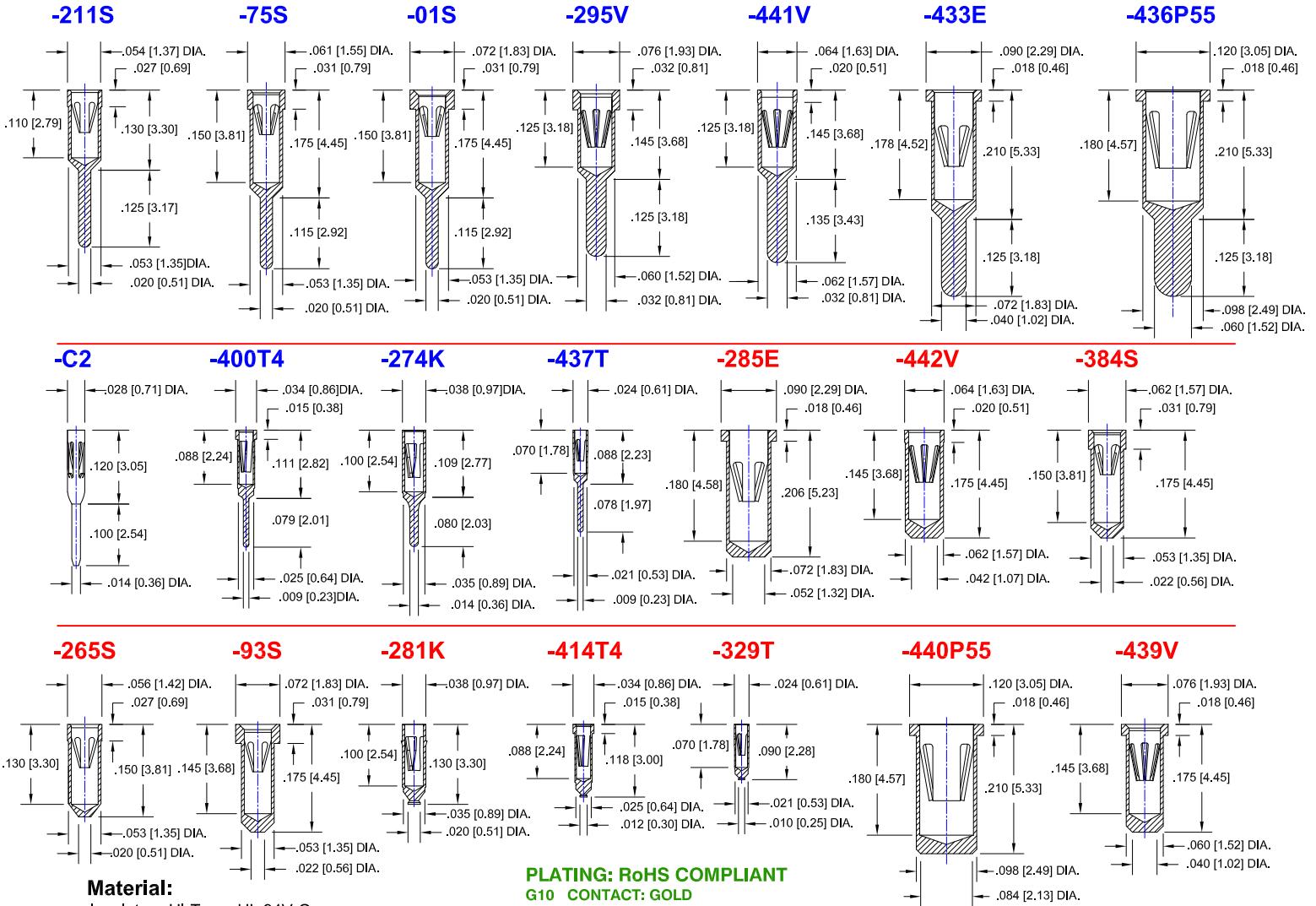
Ordering Information

BS-XXXX-XX-XXXX-XXX-D14



Socket Terminal Details

Cross Section View Shown Units: in[mm]

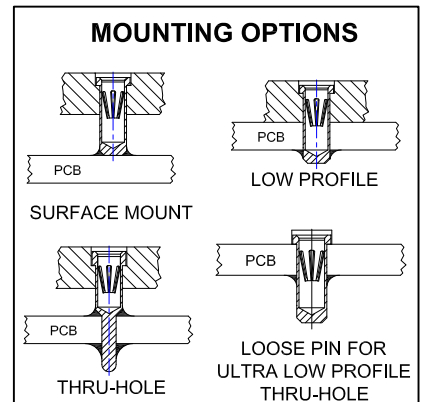


Material:

Insulator: Hi-Temp UL 94V-O
Terminal: Brass, per ASTM-B16
Contact: BeCu, Per ASTM-B194

PLATING: RoHS COMPLIANT
G10 CONTACT: GOLD
R27 TERMINAL: GOLD / CONTACT: GOLD
R17 TERMINAL: TIN / CONTACT: GOLD
OTHER PLATINGS AVAILABLE

Terminal Acceptance and Forces							
Thru Hole Socket Terminals				Surface Mount Socket Terminals			
Thru Hole Terminal	Accepts Pin Diameter	Insertion Force	Withdrawal Force	Surface Mount Terminal	Accepts Pin Diameter	Insertion Force	Withdrawal Force
-437T	Ø.010 [Ø0.25]	1.0 oz Avg.	0.3 oz Min	-329T	Ø.010 [Ø0.25]	1.0 oz Avg.	0.3 oz Min
-400T4	Ø.012 [Ø0.30]	1.1 oz Max	0.3 oz Min	-414T4	Ø.012 [Ø0.30]	1.1 oz Max	0.3 oz Min
-C2	Ø.018 [Ø0.46]	1.5 oz Max	0.04 oz Min	-281K	Ø.018 [Ø0.46]	1.0 oz Max.	0.5 oz Min
-274K	Ø.018 [Ø0.46]	1.0 oz Max	0.5 oz Min	-93S	Ø.018 [Ø0.46]	9.0 oz Avg.	2.0 oz Min
-01S	Ø.018 [Ø0.46]	9.0 oz Avg.	2.0 oz Min	-265S	Ø.018 [Ø0.46]	9.0 oz Avg.	2.0 oz Min
-75S	Ø.018 [Ø0.46]	9.0 oz Avg.	2.0 oz Min	-384S	Ø.018 [Ø0.46]	9.0 oz Avg.	2.0 oz Min
-211S	Ø.018 [Ø0.46]	9.0 oz Avg.	2.0 oz Min	-439V	Ø.030 [Ø0.76]	13.2 oz Max	3.5 oz Min
-295V	Ø.030 [Ø0.76]	13.2 oz Max	3.5 oz Min	-442V	Ø.030 [Ø0.76]	13.2 oz Max	3.5 oz Min
-441V	Ø.030 [Ø0.76]	13.2 oz Max	3.5 oz Min	-285E	Ø.040 [Ø1.02]	36.0 oz Max	3.9 oz Min
-433E	Ø.040 [Ø1.02]	36.0 oz Max	3.9 oz Min	-440P55	Ø.060 [Ø1.52]	15.5 oz Max	2.1 oz Min
-436P55	Ø.060 [Ø1.52]	15.5 oz Max	2.1 oz Min				



©Copyright 2013 Andon Electronics Corporation. All Rights Reserved. This material is protected under US and other copyrights and may not be copied, sold, or redistributed in any form without written permission of Andon Electronics Corporation. Copyrights and trademarks are property of their respective companies. We reserve the right to change specifications without notice.

"ANDON PROPRIETARY INFORMATION"

*Sockets are not drawn to scale 01/29/13 OPTO-13A

Andon Part Number Index						
Andon Part Number Replace "XXX" w with Terminal Type	Terminal Type		Pin Ø [in]	Pin Qty.	Page #	Figure #
	Thru-Hole	Surface Mount				
R050-0402-01T-XXX-G10-L14	C2	N/A	.018	2	85	1
R050-0403-01N-XXX-R27-L14	437T	329T	.010	3	85	2
R056-0403-01T-XXX-G10-L14	C2	N/A	.018	3	85	3
R056-0403-01N-XXX-R27-L14	400T4	414T4	.012	3	85	4
R070-0404-01T-XXX-R27-L14	400T4	414T4	.012	4	85	5
R070-0404-02T-XXX-R27-L14	274K	281K	.018	4	85	6
R075-0402-01T-XXX-R27-L14	274K	281K	.018	2	85	7
R080-0402-01T-XXX-R27-L14	274K	281K	.018	2	86	8
R080-0403-01N-XXX-R27-L14	274K	281K	.018	3	86	9
R095-SP03-01T-XXX-R27-L14	274K	281K	.018	3	86	10
R098-0403-01N-XXX-R27-L14	211S	265S	.018	3	86	11
R100-0402-01T-XXX-R27-L14	75S	265S	.018	2	86	12
R100-0402-02T-XXX-R27-L14	437T	329T	.010	2	86	13
R100-0402-02T-XXX-R27-L14	01S	93S	.018	2	86	14
R100-0402-04T-XXX-R27-L14	211S	384S	.018	2	87	15
R100-0402-06T-XXX-R27-L14	274K	281K	.018	2	87	16
R100-0402-06T-XXX-R27-L14	75S	265S	.018	2	87	17
R100-0403-01T-XXX-R27-L14	75S	265S	.018	3	87	18
R100-0403-01N-XXX-R27-L14	75S	265S	.018	3	87	19
R100-0403-04N-XXX-R27-L14	75S	265S	.018	3	87	20
R100-0403-06T-XXX-R27-L14	75S	265S	.018	3	87	21
R100-0404-01T-XXX-R27-L14	400T4	414T4	.012	4	88	22
R100-0404-01T-XXX-R27-L14	75S	265S	.018	4	88	23
R100-0404-01N-XXX-R27-L14	75S	265S	.018	4	88	24
R100-0404-02T-XXX-R27-L14	211S	384S	.018	4	88	25
R100-0404-02T-XXX-R27-L14	75S	265S	.018	4	88	26
R100-0805-01T-XXX-G10-L14	C2	N/A	.018	5	88	27
R100-0806-01T-XXX-G10-L14	C2	N/A	.018	6	88	28
R100-SP02-01-XXX-R27-L14	274K	281K	.018	2	89	29
R100-SP02-02T-XXX-R27-L14	274K	281K	.018	2	89	30
R100-SP03-01T-XXX-R27-L14	274K	281K	.018	3	89	31
R100-SP03-02T-XXX-R27-L14	274K	281K	.018	3	89	32
R100-SP05-01T-XXX-G10-L14	C2	N/A	.018	5	89	33
R110-0403-01N-XXX-R27-L14	75S	265S	.018	3	89	34
R118-0402-01T-XXX-R27-L14	75S	265S	.018	2	89	35
R118-SP02-01-XXX-R27-L14	01S	93S	.018	2	90	36
R134-SP02-01-XXX-R27-L14	274K	281K	.018	2	90	37
R140-0402-01T-XXX-R27-L14	01S	93S	.018	2	90	38
R140-0402-03T-XXX-R27-L14	01S	93S	.018	2	90	39
R140-0404-02T-XXX-R27-L14	01S	93S	.018	4	90	40
R163-SP02-01T-XXX-R27-L14	01S	93S	.018	2	90	41
R167-0403-01T-XXX-R27-L14	01S	93S	.018	3	90	42
R170-SP02-01T-XXX-R27-L14	01S	93S	.018	2	91	43
R173-0402-01T-XXX-R27-L14	01S	93S	.018	2	91	44
R196-SP04-01T-XXX-R27-L14	295V	439V	.030	4	91	45
R197-0402-01T-XXX-R27-L14	01S	93S	.018	2	91	46
R197-SP02-01-XXX-R27-L14	01S	93S	.018	2	91	47
R200-0402-01T-XXX-R27-L14	01S	93S	.018	2	92	48
R200-0402-02T-XXX-R27-L14	01S	93S	.018	2	92	49
R200-0402-02T-XXX-R27-L14	433E	285E	.040	2	92	50
R200-0402-03T-XXX-R27-L14	01S	93S	.018	2	92	51
R200-0802-04T-XXX-R27-L14	01S	93S	.018	2	92	52
R200-0403-01T-XXX-R27-L14	01S	93S	.018	3	93	53

Andon Part Number Index						
Andon Part Number Replace "XXX" w with Terminal Type	Terminal Type		Pin Ø [in]	Pin Qty.	Page #	Figure #
	Thru-Hole	Surface Mount				
R200-0403-02T-XXX-R27-L14	01S	93S	.018	3	93	54
R200-0403-03T-XXX-R27-L14	75S	265S	.018	3	93	55
R200-0403-03T-XXX-R27-L14	01S	93S	.018	3	93	56
R200-0403-04T-XXX-R27-L14	01S	93S	.018	3	93	57
R200-0404-01T-XXX-R27-L14	01S	93S	.018	4	94	58
R200-0806-03T-XXX-R27-L14	01S	93S	.018	4	94	59
R200-0805-01T-XXX-R27-L14	75S	265S	.018	5	94	60
R200-0805-02T-XXX-R27-L14	75S	265S	.018	5	94	61
R200-0806-01T-XXX-R27-L14	211S	384S	.018	6	94	62
R200-0806-02T-XXX-R27-L14	75S	265S	.018	6	95	63
R200-0806-03T-XXX-R27-L14	75S	265S	.018	6	95	64
R200-0806-04T-XXX-R27-L14	75S	265S	.018	6	95	65
R200-0807-01T-XXX-R27-L14	75S	265S	.018	7	95	66
R200-0807-02T-XXX-R27-L14	75S	265S	.018	7	95	67
R200-0808-01T-XXX-R27-L14	75S	265S	.018	8	96	68
R200-1008-03T-XXX-R27-L14	274K	281K	.018	8	96	69
R200-SP02-01-XXX-R27-L14	01S	93S	.018	2	96	70
R200-SP02-02T-XXX-R27-L14	75S	265S	.018	2	96	71
R200-SP02-03-XXX-R27-L14	75S	265S	.018	2	96	72
R200-SP03-01T-XXX-R27-L14	295V	439V	.030	3	97	73
R200-SP03-03T-XXX-R27-L14	295V	439V	.030	3	97	74
R200-1008-03T-XXX-R27-L14	211S	265S	.018	5	97	75
R420-SP05-04T-XXX-R27-L14	436P55	440P55	.060	5	97	76
R210-0402-01T-XXX-R27-L14	01S	93S	.018	2	97	77
R212-0402-01T-XXX-R27-L14	01S	93S	.018	2	98	78
R212-SP02-01T-XXX-R27-L14	01S	93S	.018	2	98	79
R215-0402-01T-XXX-R27-L14	01S	93S	.018	2	98	80
R220-0404-01T-XXX-R27-L14	01S	93S	.018	4	98	81
R230-0402-01T-XXX-R27-L14	01S	93S	.018	2	98	82
R230-0404-01T-XXX-R27-L14	01S	93S	.018	4	99	83
R230-0404-02T-XXX-R27-L14	295V	439V	.030	4	99	84
R230-0806-02T-XXX-R27-L14	211S	384S	.018	6	99	85
R230-0808-01T-XXX-R27-L14	75S	265S	.018	8	99	86
R230-1010-01T-XXX-R27-L14	211S	265S	.018	10	99	87
R230-1010-02T-XXX-R27-L14	211S	265S	.018	10	100	88
R230-SP04-01T-XXX-R27-L14	01S	93S	.018	4	100	89
R235-0808-01T-XXX-R27-L14	75S	265S	.018	8	100	90
R235-1010-02T-XXX-R27-L14	211S	265S	.018	10	100	91
R240-SP04-01T-XXX-R27-L14	295V	439V	.030	4	100	92
R255-SP04-01T-XXX-R27-L14	01S	93S	.018	4	101	93
R265-SP02-01-XXX-R27-L14	01S	93S	.018	2	101	94
R278-0804-01T-XXX-R27-L14	295V	439V	.030	4	101	95
R280-0802-01T-XXX-R27-L14	75S	265S	.018	2	101	96
R280-0808-01T-XXX-R27-L14	01S	93S	.018	8	101	97
R280-SP05-01T-XXX-R27-L14	75S	265S	.018	5	102	98
R290-0403-01T-XXX-R27-L14	01S	93S	.018	3	102	99
R295-0402-01T-XXX-R27-L14	01S	93S	.018	2	102	100
R295-0402-02T-XXX-R27-L14	01S	93S	.018	2	102	101
R295-0403-01T-XXX-R27-L14	01S	93S	.018	3	102	102
R300-0803-01T-XXX-R27-L14	01S	93S	.018	3	103	103
R300-0803-02T-XXX-R27-L14	01S	93S	.018	3	103	104
R300-SP02-01-XXX-R27-L14	01S	93S	.018	2	103	105
R300-SP03-02T-XXX-R27-L14	436P55	440P55	.060	3	103	106

Andon Part Number Index						
Andon Part Number Replace "XXX" with Terminal Type	Terminal Type		Pin Ø [in]	Pin Qty.	Page #	Figure #
	Thru-Hole	Surface Mount				
R300-SP04-01T-XXX-R27-L14	295V	439V	.030	4	103	107
R300-SP04-02T-XXX-R27-L14	295V	439V	.030	4	104	108
R300-SP05-01T-XXX-R27-L14	01S	93S	.018	5	104	109
R300-SP05-02T-XXX-R27-L14	01S	93S	.018	5	104	110
R300-SP06-01N-XXX-R27-L14	01S	93S	.018	6	104	111
R300-SP07-01T-XXX-R27-L14	01S	93S	.018	7	104	112
R315-0402-01T-XXX-R27-L14	01S	93S	.018	2	105	113
R315-SP04-01-XXX-R27-L14	01S	93S	.018	4	105	114
R330-0402-01T-XXX-R27-L14	433E	285E	.040	2	105	115
R365-SP04-01T-XXX-R27-L14	01S	93S	.018	4	105	116
R370-SP06-01T-XXX-R27-L14	274K	281K	.018	6	105	117
R375-0805-01T-XXX-R27-L14	433E	285E	.040	5	106	118
R375-0805-02T-XXX-R27-L14	433E	285E	.040	5	106	119
R375-0806-01T-XXX-R27-L14	433E	285E	.040	6	106	120
R375-SP06-01T-XXX-R27-L14	75S	265S	.018	6	106	121
R375-SP06-02T-XXX-R27-L14	75S	265S	.018	6	106	122
R375-SP08-01N-XXX-R27-L14	75S	265S	.018	8	107	123
R375-SP08-02T-XXX-R27-L14	75S	265S	.018	8	107	124
R375-SP16-01T-XXX-R27-L14	75S	265S	.018	16	107	125
R375-SP16-02T-XXX-R27-L14	441V	442V	.030	16	107	126
R377-SP06-01T-XXX-R27-L14	75S	265S	.018	6	107	127
R390-SP06-01T-XXX-R27-L14	436P55	440P55	.060	6	108	128
R395-0402-01T-XXX-R27-L14	433E	285E	.040	2	108	129
R395-SP06-01T-XXX-R27-L14	01S	93S	.018	6	108	130
R398-0402-01T-XXX-R27-L14	436P55	440P55	.060	2	108	131
R400-0802-01T-XXX-R27-L14	01S	93S	.018	2	108	132
R400-0803-01T-XXX-R27-L14	01S	93S	.018	3	109	133
R400-0803-02T-XXX-R27-L14	01S	93S	.018	3	109	134
R400-0804-01T-XXX-R27-L14	01S	93S	.018	4	109	135
R400-0804-01T-XXX-R27-L14	295V	439V	.030	4	109	136
R400-SP04-01T-XXX-R27-L14	433E	285E	.040	4	109	137
R400-SP05-01T-XXX-R27-L14	295V	439V	.030	5	110	138
R400-SP06-01T-XXX-R27-L14	01S	93S	.018	6	110	139
R400-SP08-01T-XXX-R27-L14	01S	93S	.018	8	110	140
R400-SP08-02T-XXX-R27-L14	75S	265S	.018	8	110	141
R400-SP12-01T-XXX-R27-L14	01S	93S	.018	12	110	142
R400-SP12-02T-XXX-R27-L14	01S	93S	.018	12	111	143
R430-1008-01T-XXX-R27-L14	295V	439V	.030	8	111	144
R435-0402-01T-XXX-R27-L14	01S	93S	.018	2	111	145
R437-0402-01T-XXX-R27-L14	01S	93S	.018	2	111	146
R440-SP06-01T-XXX-R27-L14	274K	281K	.018	6	111	147
R450-SP06-02T-XXX-R27-L14	01S	93S	.018	6	112	148
R450-SP07-01N-XXX-R27-L14	436P55	440P55	.060	7	112	149
R450-SP08-01T-XXX-R27-L14	75S	265S	.018	8	112	150
R453-0402-01T-XXX-R27-L14	436P55	440P55	.060	2	112	151
R465-0402-01T-XXX-R27-L14	436P55	440P55	.060	2	112	152
R480-SP04-01-XXX-R27-L14	295V	439V	.030	4	113	153
R485-SP06-01T-XXX-R27-L14	295V	439V	.030	6	113	154
R505-SP07-01T-XXX-R27-L14	436P55	440P55	.060	7	113	155
R510-SP02-01-XXX-R27-L14	436P55	440P55	.060	2	113	156
R520-SP08-01T-XXX-R27-L14	436P55	440P55	.060	8	113	157
R526-SP05-01T-XXX-R27-L14	436P55	440P55	.060	5	114	158
R530-0402-02N-XXX-R27-L14	436P55	440P55	.060	2	114	159
R530-0403-01T-XXX-R27-L14	436P55	440P55	.060	3	114	160

Andon Part Number Index						
Andon Part Number Replace "XXX" with Terminal Type	Terminal Type		Pin Ø [in]	Pin Qty.	Page #	Figure #
	Thru-Hole	Surface Mount				
R530-0403-01N-XXX-R27-L14	436P55	440P55	.060	3	114	161
R530-0403-02N-XXX-R27-L14	436P55	440P55	.060	3	114	162
R530-SP02-02N-XXX-R27-L14	436P55	440P55	.060	2	115	163
R530-SP03-01T-XXX-R27-L14	436P55	440P55	.060	3	115	164
R530-SP04-01T-XXX-R27-L14	436P55	440P55	.060	4	115	165
R531-SP04-01-XXX-R27-L14	01S	93S	.018	4	115	166
R550-0803-01T-XXX-R27-L14	436P55	440P55	.060	3	115	167
R670-0802-01T-XXX-R27-L14	436P55	440P55	.060	2	116	168
R670-0803-01T-XXX-R27-L14	436P55	440P55	.060	3	116	169
R670-0804-01T-XXX-R27-L14	433E	285E	.040	4	116	170
R670-0804-02N-XXX-R27-L14	433E	285E	.040	4	116	171
R670-SP02-02N-XXX-R27-L14	433E	285E	.040	2	116	172
R670-SP02-03T-XXX-R27-L14	433E	285E	.040	2	117	173
R670-SP03-01T-XXX-R27-L14	436P55	440P55	.060	3	117	174
R710-0404-01N-XXX-R27-L14	295V	439V	.030	4	117	175
R710-SP03-01N-XXX-R27-L14	01S	93S	.018	3	117	176
R710-SP05-01N-XXX-R27-L14	295V	439V	.030	5	118	177
R720-0402-01T-XXX-R27-L14	01S	93S	.018	2	118	178
R730-0803-01T-XXX-R27-L14	01S	93S	.018	3	118	179
R730-0807-01T-XXX-R27-L14	01S	93S	.018	7	118	180
R730-0808-01T-XXX-R27-L14	01S	93S	.018	8	119	181
R750-0402-02T-XXX-R27-L14	01S	93S	.018	2	119	182
R750-0806-01T-XXX-R27-L14	433E	285E	.040	6	119	183
R750-1806-01T-XXX-R27-L14	01S	93S	.018	6	119	184
R787-SP02-01-XXX-R27-L14	436P55	440P55	.060	2	120	185
R790-1212-01N-XXX-R27-L14	01S	93S	.018	12	120	186
R800-1207-01T-XXX-R27-L14	01S	93S	.018	7	120	187
R1100-SP06-01T-XXX-R27-L14	01S	93S	.018	6	120	188
R1345-SP05-01N-XXX-R27-L14	433E	285E	.040	5	121	189
R1350-SP03-01T-XXX-R27-L14	433E	285E	.040	3	121	190
R1350-SP05-02T-XXX-R27-L14	433E	285E	.040	5	121	191
R1355-SP02-02N-XXX-R27-L14	433E	285E	.040	2	122	192
R1355-SP03-01N-XXX-R27-L14	433E	285E	.040	3	122	193
R1355-SP04-03N-XXX-R27-L14	433E	285E	.040	4	122	194
301-003-XXX-R27-B10	299S	N/A	.018	3	122	195
F200-1006-01-XXX-R27-L14	274K	281K	.018	6	123	196
F200-1006-02-XXX-R27-L14	274K	281K	.018	6	123	197
F325-0402-01-XXX-R27-L14	295V	439V	.030	2	123	198
F325-0402-03-XXX-R27-L14	295V	439V	.030	2	123	199
F355-SP06-01-XXX-R27-L14	274K	281K	.018	6	123	200
F375-SP06-01-XXX-R27-L14	274K	281K	.018	6	123	201
F425-1006-01-XXX-R27-L14	295V	439V	.030	6	124	202
F425-1009-01-XXX-R27-L14	295V	439V	.030	9	124	203
F430-SP07-01-XXX-R27-L14	295V	439V	.030	7	124	204
F490-SP02-01-XXX-R27-L14	433E	285E	.040	2	124	205
F490-SP06-01-XXX-R27-L14	433E	285E	.040	6	124	206
F500-SP07-01-XXX-R27-L14	433E	285E	.040	7	124	207
F500-SP09-01-XXX-R27-L14	433E	285E	.040	9	125	208
F700-SP07-01-XXX-R27-L14	295V	439V	.030	7	125	209
F700-SP11-01-XXX-R27-L14	433E	285E	.040	11	125	210
F700-SP12-01-XXX-R27-L14	01S	93S	.018	12	125	211
F700-SP16-01-XXX-R27-L14	295V	439V	.030	16	125	212
RA530-0403-01-XXX-R27-L14	N/A	440P55	.060	3	126	213
RA530-0403-02-XXX-R27-L14	N/A	440P55	.060	3	126	214

At Andon Electronics we provide interconnection components that help companies to cost effectively protect, assemble, test and replace their semiconductor devices.



- PGA SOCKETS & ADAPTERS
- BGA SOCKETS & ADAPTERS
- SMD SOCKETS & ADAPTERS
- DIP SOCKETS & ADAPTERS
- SIP SOCKETS & ADAPTERS
- FUSE SOCKETS
- TERMINALS AND TEST JACKS
- LCC SOCKETS
- PLCC SOCKETS
- IMAGE SENSOR SOCKETS
- GAS SENSOR SOCKETS
- OPTOELECTRONIC SOCKETS
- CARRIER SOCKETS
- BATTERY SOCKETS
- TEST SOCKETS

We offer custom as well as our standard catalog items.

Our intention is to be your one stop for all of your interconnection requirements.

Please visit our website at www.andonelect.com if you have any questions please do not hesitate to contact us.

Contact: Customer Service

Phone: (401) 333-0388

Fax: (401) 333-0287

Email: info@andonelect.com



Distributed Worldwide.



ANDON ELECTRONICS CORPORATION

4 Court Drive Lincoln, RI 02865 USA

Phone: 401-333-0388 Fax: 401-333-0287

Email: Info@andonelect.com

Visit us on the Web at www.andonelect.com
or www.andonelectronics.com