

Series 654-STO HI-Temp, PLCC (Thru Hole Socket)

FEATURES

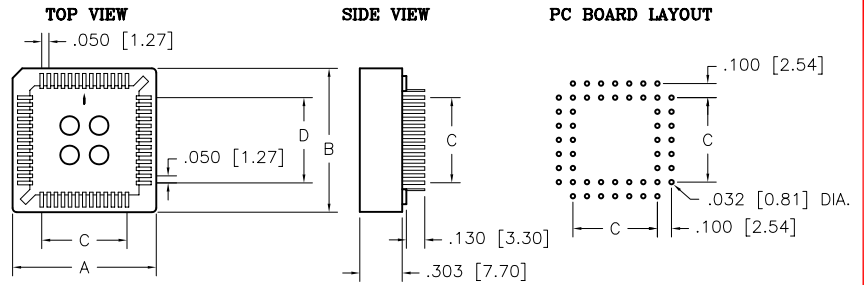
- ACCEPTS JEDEC MO-47 & MO-52 LEADED PLASTIC CHIP CARRIER PACKAGES
- SOLDER TERMINATIONS ON .100 [2.54] GRID
- LOW PROFILE HI-TEMP INSULATOR
- ANTI-SHORTING CONTACTS
- HIGH VISIBILITY PIN ONE INDICATOR

MATERIAL DATA

INSULATOR..... PPS
 UL RATING..... 94V-0
 CONTACTS..... PHOSPHOR BRONZE
 PLATING..... TIN (LEAD FREE)
 MOUNTING..... .100 IN. [2.54 MM] GRID

ELECTRICAL DATA

CONTACT RESISTANCE (MAX.)... 30 MILLIOHMS
 CURRENT RATING1.0 AMP MIN.
 INSULATION RESISTANCE.....1000 MEGOHMS
 WITHSTANDING VOLTAGE.....500 VAC



DIMENSIONAL FEATURES				
PART NUMBER	A ±.008 [0.2]	B ±.008 [0.2]	C ±.008 [0.2]	D ±.008 [0.2]
654-20-STO-LF	.610 [15.50]	.610 [15.50]	.200 [5.08]	.200 [5.08]
654-28-STO-LF	.720 [18.30]	.720 [18.30]	.300 [7.62]	.300 [7.62]
654-32-STO-LF	.704 [17.90]	.807 [20.50]	.300 [7.62]	.400 [10.16]
654-44-STO-LF	.923 [23.45]	.923 [23.45]	.500 [12.70]	.500 [12.70]
654-52-STO-LF	1.018 [25.85]	1.018 [25.85]	.600 [15.24]	.600 [15.24]
654-68-STO-LF	1.214 [30.85]	1.214 [30.85]	.800 [20.32]	.800 [20.32]
654-84-STO-LF	1.417 [36.00]	1.417 [36.00]	1.000 [25.40]	1.000 [25.40]
654-100-STO-LF	1.654 [42.00]	1.654 [42.00]	1.200 [30.48]	1.200 [30.48]

654-52-STO-LF
 SERIES: 654, NO. OF CONTACTS: 52, TYPE: STO, TIN (LEAD FREE)

Series 654-SMO HI-Temp, PLCC (Surface Mount Socket)

FEATURES

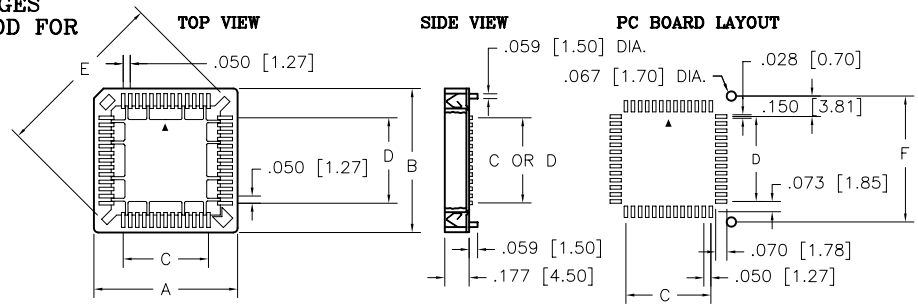
- ACCEPTS JEDEC MO-47 & MO-52 LEADED PLASTIC CHIP CARRIER PACKAGES
- HIGH TEMPERATURE INSULATOR - GOOD FOR VAPORPHASE AND IR SOLDERING
- LOW PROFILE INSULATOR
- UNIVERSAL MOUNTING FOOTPRINT
- VIEW PORTS FOR INSPECTING SOLDER TERMINATIONS
- HIGH VISIBILITY PIN ONE INDICATOR

MATERIAL DATA

INSULATOR..... PPS
 UL RATING..... 94V-0
 CONTACTS..... PHOSPHOR BRONZE
 PLATING..... TIN (LEAD FREE)
 MOUNTING..... .050 [1.27] GRID

ELECTRICAL DATA

CONTACT RESISTANCE (MAX.)... 15 MILLIOHMS
 INSULATION RESISTANCE.....10,000 MEGOHMS
 DIELECTRIC STRENGTH.....1000 VAC CONTINUOUS FOR 1 MINUTE



654-52-SMO-X-LF
 SERIES: 654, NO. OF CONTACTS: 52, TYPE: SMO, STANDOFFS: 1=With, 2=Without, TIN (LEAD FREE)

DIMENSIONAL FEATURES						
PART NUMBER	A ±.008 [0.2]	B ±.008 [0.2]	C ±.004 [0.1]	D ±.004 [0.1]	E ±.008 [0.2]	F ±.008 [0.2]
654-20-SMO-X-LF	.616 [15.65]	.616 [15.65]	.200 [5.08]	.200 [5.08]	.673 [17.10]	.500 [12.70]
654-28-SMO-X-LF	.716 [18.18]	.716 [18.18]	.300 [7.62]	.300 [7.62]	.814 [20.68]	.600 [15.24]
654-32-SMO-X-LF	.716 [18.18]	.817 [20.75]	.300 [7.62]	.400 [10.16]	.882 [22.40]	.700 [17.78]
654-44-SMO-X-LF	.917 [23.28]	.917 [23.28]	.500 [12.70]	.500 [12.70]	1.096 [27.85]	.800 [20.32]
654-52-SMO-X-LF	1.017 [25.84]	1.017 [25.84]	.600 [15.24]	.600 [15.24]	1.242 [31.54]	.900 [22.86]
654-68-SMO-X-LF	1.219 [30.95]	1.219 [30.95]	.800 [20.32]	.800 [20.32]	1.524 [38.70]	1.100 [27.94]
654-84-SMO-X-LF	1.417 [36.00]	1.417 [36.00]	1.000 [25.40]	1.000 [25.40]	1.809 [45.95]	1.500 [38.10]

© COPYRIGHT 2006 ANDON ELECTRONICS CORP. ALL RIGHTS RESERVED. THIS MATERIAL IS PROTECTED BY U.S. AND OTHER COPYRIGHTS AND MAY NOT BE COPIED, SOLD OR REDISTRIBUTED IN ANY FORM WITHOUT THE WRITTEN PERMISSION OF ANDON ELECTRONICS CORP.

DIMENSIONS ARE SHOWN IN INCHES [MILLIMETERS] WE RESERVE THE RIGHT TO CHANGE SPECIFICATIONS WITHOUT NOTICE.