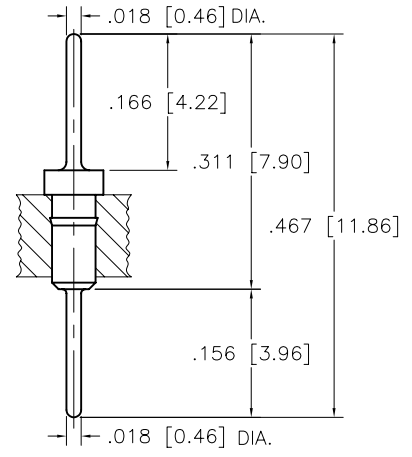
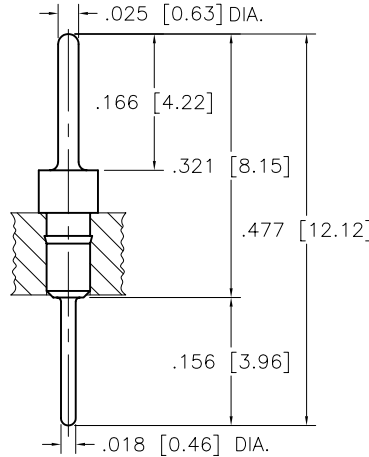
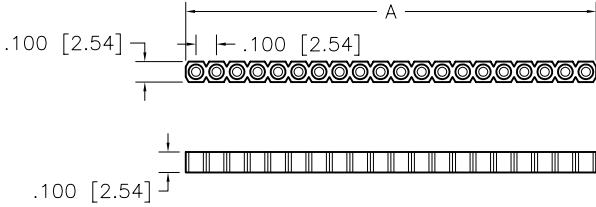


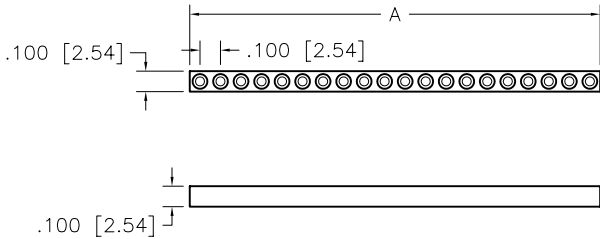
SERIES 307
SNAP
BREAKABLE INSULATOR



-37 MATERIAL: (1)
 -04 MATERIAL: (2)

-77 MATERIAL: (2)

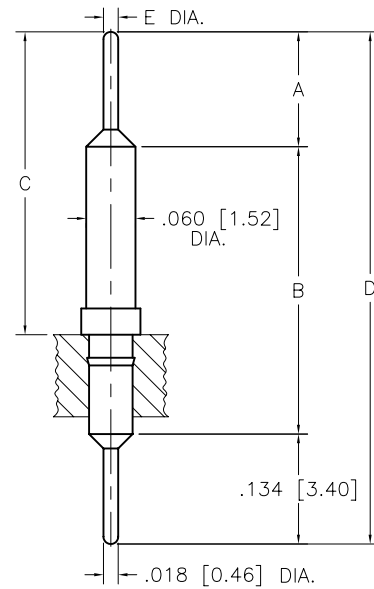
SERIES 308
SOLID
SOLID INSULATOR



TERM.	A		B		C		D		E	
-56	.184	4.68	.583	14.82	.630	16.00	.902	22.90	.026	0.65
-58	.140	3.56	.350	8.89	.390	9.91	.624	15.85	.018	0.46
-59	.140	3.56	.457	11.61	.479	12.17	.731	18.57	.018	0.46

PIN	DIM "A"		
2	.200	[5.08]	002
3	.300	[7.62]	003
4	.400	[10.16]	004
5	.500	[12.70]	005
6	.600	[15.24]	006
7	.700	[17.78]	007
8	.800	[20.32]	008
9	.900	[22.86]	009
10	1.000	[25.40]	010
11	1.100	[27.94]	011
12	1.200	[30.48]	012
13	1.300	[33.02]	013
14	1.400	[35.56]	014
15	1.500	[38.10]	015
16	1.600	[40.64]	016

PIN	DIM "A"		
17	1.700	[43.18]	017
18	1.800	[45.72]	018
19	1.900	[48.26]	019
20	2.000	[50.80]	020
21	2.100	[53.34]	021
22	2.200	[55.88]	022
23	2.300	[58.42]	023
24	2.400	[60.96]	024
25	2.500	[63.50]	025
26	2.600	[66.04]	026
27	2.700	[68.58]	027
28	2.800	[71.12]	028
29	2.900	[73.66]	029
30	3.000	[76.20]	030
31	3.100	[78.74]	031
32	3.200	[81.28]	032



-XX MATERIAL: (1)

TECHNICAL SPECIFICATIONS

MATERIAL INSULATOR

GLASS FILLED POLYESTER
 UL 94V-0 LISTED

TERMINAL MATERIAL: (1) BRASS PER ASTM-B16
 MATERIAL: (2) PHOSPHOR BRONZE PER ASTM-B139

CONTACT BeCu PER ASTM-B194

OPERATING TEMP. -65°C TO +125°C

ORDERING INFORMATION

XXX-0XX-XX-XXX-B10

