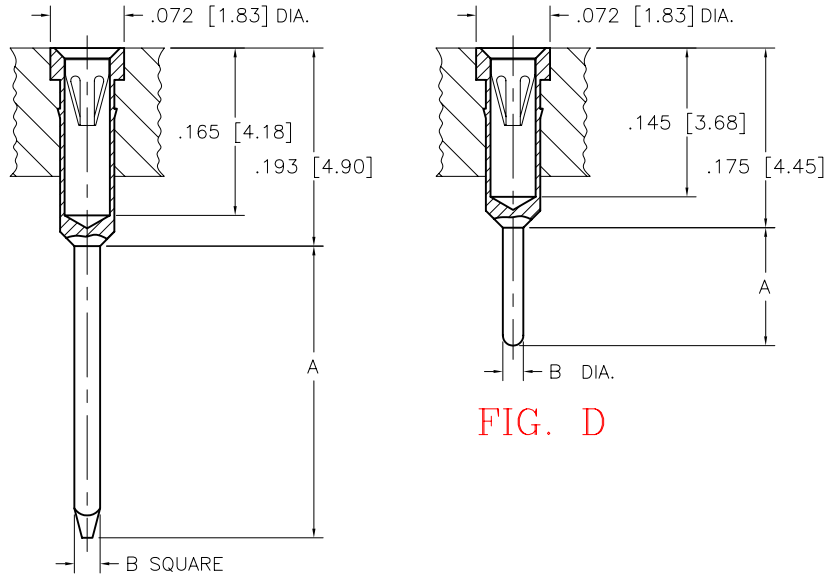
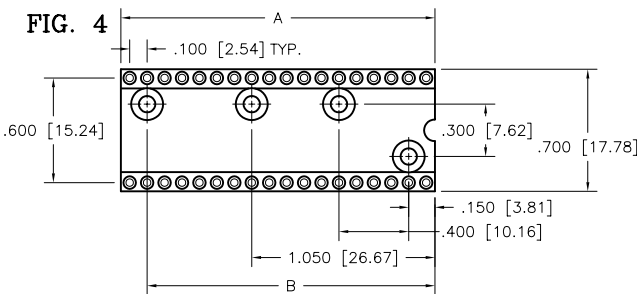
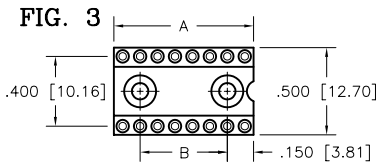
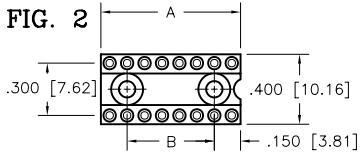
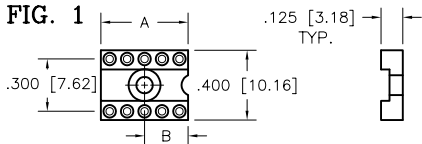


**SERIES 201 STANDARD DIP SOCKET (SOLID FRAME)**  
**202 STANDARD DIP SOCKET WITHOUT MOUNTING HOLES (SOLID FRAME)**

WAFER CHART				
	PIN	DIM "A"	DIM "B"	
FIG. 1	6	.300 [7.62]	.150 [3.81]	306
	8	.400 [10.16]	.200 [5.08]	308
	10	.500 [12.70]	.250 [6.35]	310
FIG. 2	14	.700 [17.78]	.400 [10.16]	314
	16	.800 [20.32]	.500 [12.70]	316
	18	.900 [22.86]	.600 [15.24]	318
	20	1.000 [25.40]	.700 [17.78]	320
FIG. 3	24	1.200 [30.48]	.900 [22.86]	324
	16	.800 [20.32]	.500 [12.70]	416
	22	1.100 [27.94]	.800 [20.32]	422
FIG. 4	24	1.200 [30.48]		624
	28	1.400 [35.56]		628
	30	1.500 [38.10]		630
	32	1.600 [40.64]		632
	36	1.800 [45.72]	1.650 [41.91]	636
	40	2.000 [50.80]	1.650 [41.91]	640



**FIG. C**



**TECHNICAL SPECIFICATIONS**

**MATERIAL INSULATOR** GLASS FILLED POLYESTER  
 UL 94V-0 LISTED  
**TERMINAL CONTACT** BRASS PER ASTM-B16  
 BeCu PER ASTM-B194  
**OPERATING TEMP.** -65°C TO +125°C

**CONTACT FORCES**  
**INSERTION** STANDARD 9 oz. AVG.  
**WITHDRAWAL** STANDARD 2 oz. MIN.

TERMINAL STYLE			
TERMINAL	FIG.	DIM "A"	DIM "B"
-01	D	.115 [2.92]	.020 [0.51]
-02	C	.370 [9.40]	.025 [0.64]
-03	C	.510 [12.95]	.025 [0.64]
-08	D	.170 [4.31]	.020 [0.51]
-09	D	.280 [7.11]	.020 [0.51]
-11	D	.135 [3.43]	.020 [0.51]
-94	D	.125 [3.17]	.018 [0.46]

**CONTACT TYPE**

**S: STANDARD DIP** INSERTION FORCE 9.0 oz. AVG.  
 WITHDRAWAL FORCE 2.0 oz. MIN.  
**M: STANDARD PGA** INSERTION FORCE 1.6 oz. MAX.  
 WITHDRAWAL FORCE 0.5 oz. MIN.  
**L: INTERSTITIAL PGA** INSERTION FORCE 1.0 oz. MAX.  
 WITHDRAWAL FORCE 0.3 oz. MIN.  
**H: HIGH FORCE** INSERTION FORCE 18.3 oz. MAX.  
 WITHDRAWAL FORCE 4.2 oz. MIN.

**ORDERING INFORMATION**

